



Chipsmall Limited consists of a professional team with an average of over 10 year of expertise in the distribution of electronic components. Based in Hongkong, we have already established firm and mutual-benefit business relationships with customers from,Europe,America and south Asia,supplying obsolete and hard-to-find components to meet their specific needs.

With the principle of “Quality Parts,Customers Priority,Honest Operation,and Considerate Service”,our business mainly focus on the distribution of electronic components. Line cards we deal with include Microchip,ALPS,ROHM,Xilinx,Pulse,ON,Everlight and Freescale. Main products comprise IC,Modules,Potentiometer,IC Socket,Relay,Connector.Our parts cover such applications as commercial,industrial, and automotives areas.

We are looking forward to setting up business relationship with you and hope to provide you with the best service and solution. Let us make a better world for our industry!



Contact us

Tel: +86-755-8981 8866 Fax: +86-755-8427 6832

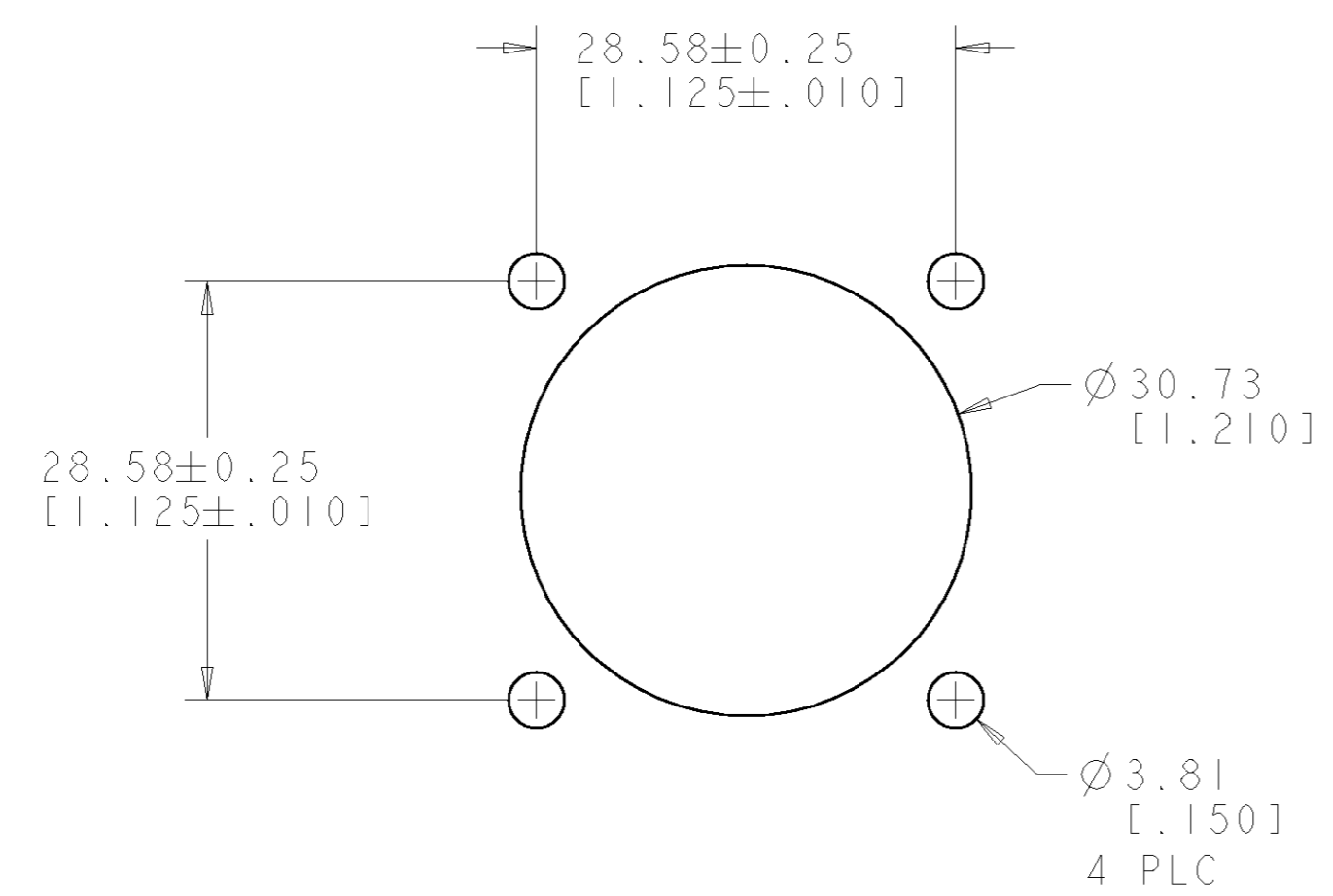
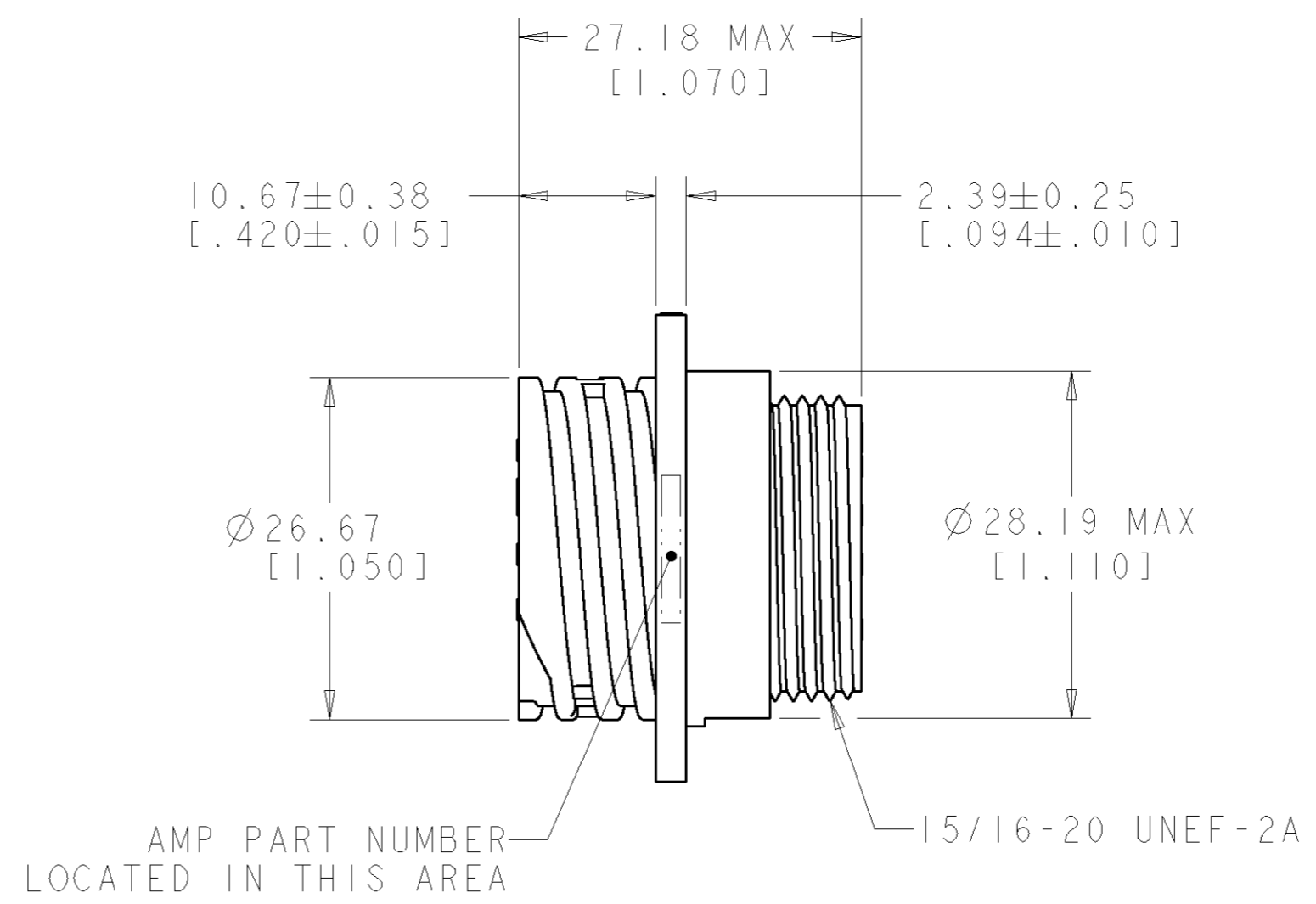
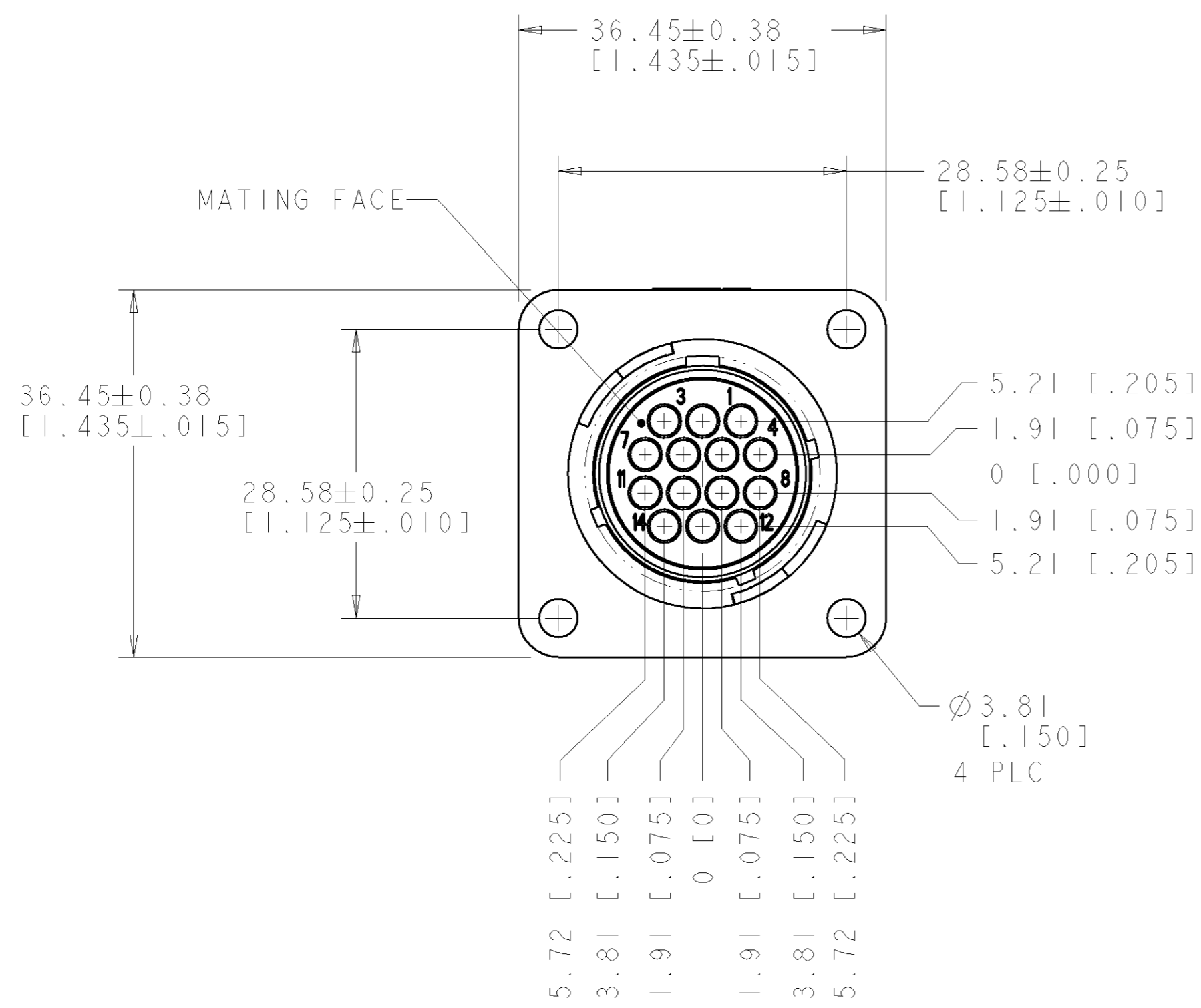
Email & Skype: info@chipsmall.com Web: www.chipsmall.com

Address: A1208, Overseas Decoration Building, #122 Zhenhua RD., Futian, Shenzhen, China



THIS DRAWING IS UNPUBLISHED. RELEASED FOR PUBLICATION
 BY AMP INCORPORATED. ALL RIGHTS RESERVED.

LOC	DIST	REVISIONS					
FT	0	P	LTR	DESCRIPTION	DATE	DWN	APVD
		O		RELEASED	31MAR100	SW	-
		A		REVISED EC 0G3B-0097-00	20APR00	SW	MC
		B		REVISED EC 0G3B-0280-00	01JUN2000	SW	MC



RECOMMENDED PANEL CUTOUT
 3.18[.125] MAX PANEL THICKNESS

- 1. NYLON, BLACK.
- 2. HOUSING WILL ACCEPT 14 MULTIMATE SOCKET CONTACTS.
- 3. CAVITY IDENTIFICATION ON FRONT AND REAR FACE.

796437-2
 PART NUMBER

THIS DRAWING IS A CONTROLLED DOCUMENT FOR AMP INCORPORATED. IT IS SUBJECT TO CHANGE AND THE CONTROLLING ENGINEERING ORGANIZATION SHOULD BE CONTACTED FOR THE LATEST REVISION.		DWN S.WELDON 31MART00 CHK M.CHACKO 31MART00 APVD M.CHACKO 31MART00	AMP Incorporated Harrisburg, PA 17105-3608
DIMENSIONS: mm[INCHES]	TOLERANCES UNLESS OTHERWISE SPECIFIED: 0 PLC ± 1 PLC ±0.1 2 PLC ±0.02 3 PLC ±0.005 4 PLC ±0.0005 ANGLES ±	PRODUCT SPEC APPLICATION SPEC WEIGHT	NAME RECEPTACLE HOUSING, SIZE 17-14, REVERSE SEX, CPC SIZE A2 CAGE CODE 00779 DRAWING NO. 796437 RESTRICTED TO -
MATERIAL - FINISH -	CUSTOMER DRAWING	SCALE 2:1 SHEET 1 OF 1 REV B	