



Chipsmall Limited consists of a professional team with an average of over 10 year of expertise in the distribution of electronic components. Based in Hongkong, we have already established firm and mutual-benefit business relationships with customers from,Europe,America and south Asia,supplying obsolete and hard-to-find components to meet their specific needs.

With the principle of “Quality Parts,Customers Priority,Honest Operation,and Considerate Service”,our business mainly focus on the distribution of electronic components. Line cards we deal with include Microchip,ALPS,ROHM,Xilinx,Pulse,ON,Everlight and Freescale. Main products comprise IC,Modules,Potentiometer,IC Socket,Relay,Connector.Our parts cover such applications as commercial,industrial, and automotives areas.

We are looking forward to setting up business relationship with you and hope to provide you with the best service and solution. Let us make a better world for our industry!



## Contact us

Tel: +86-755-8981 8866 Fax: +86-755-8427 6832

Email & Skype: info@chipsmall.com Web: www.chipsmall.com

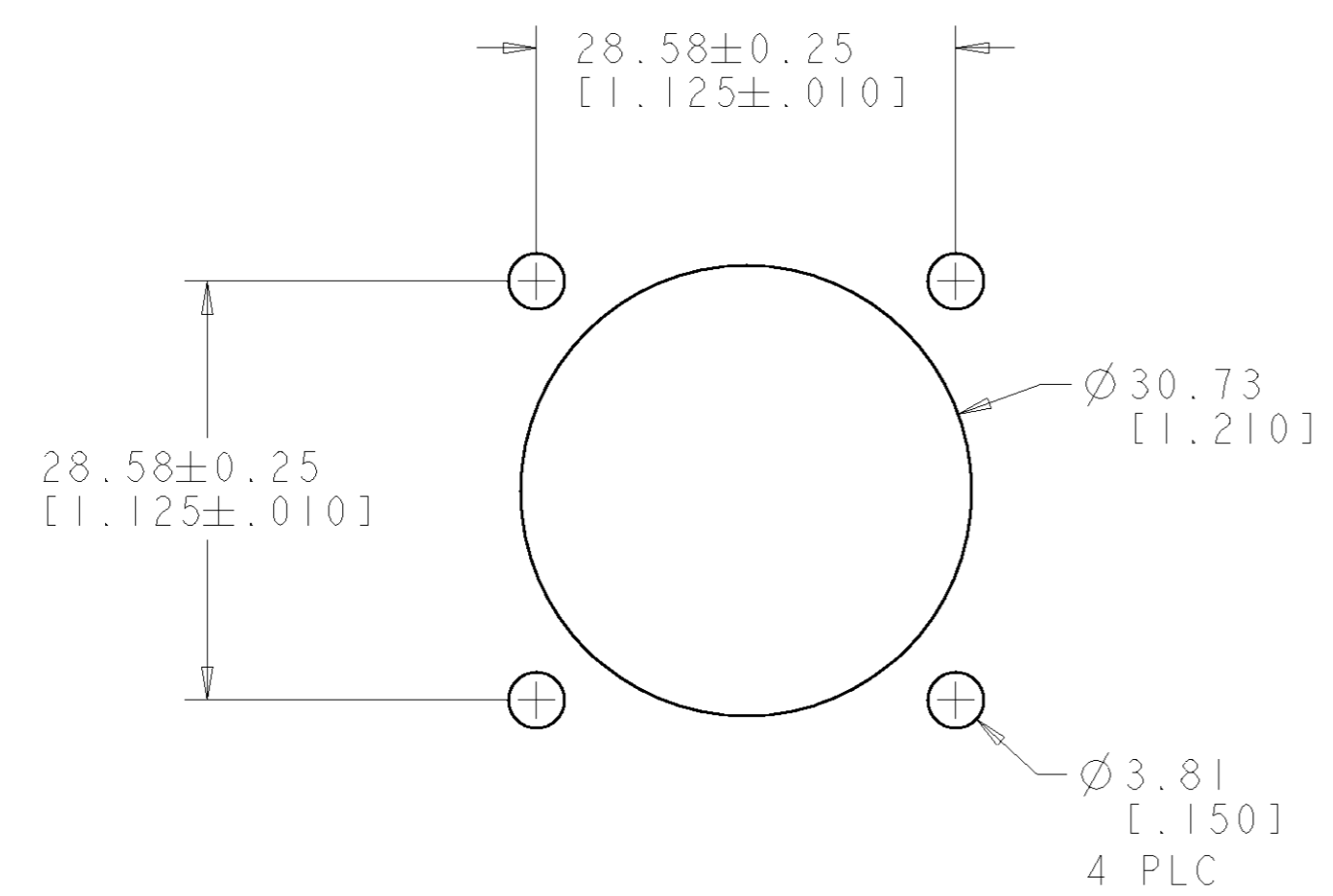
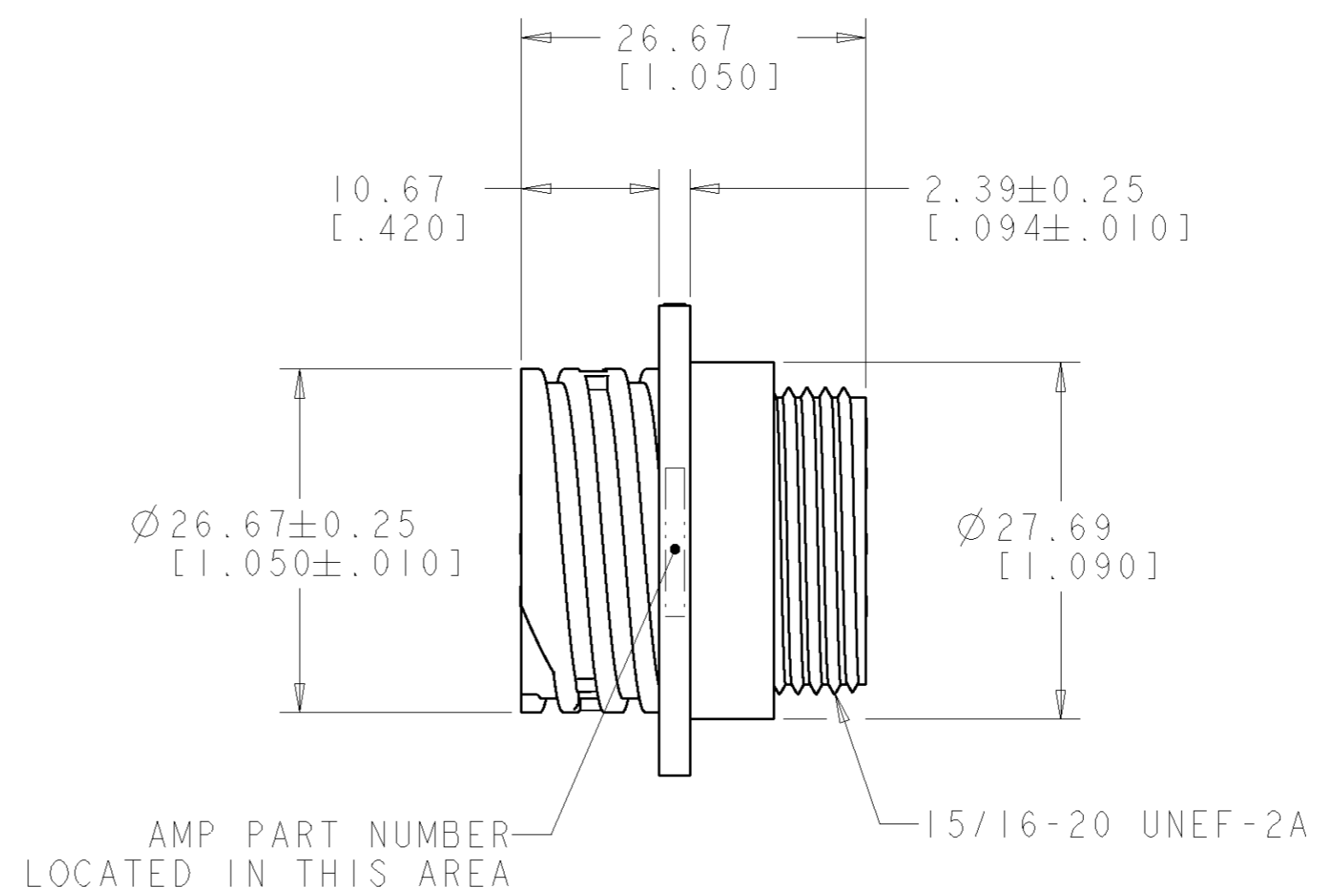
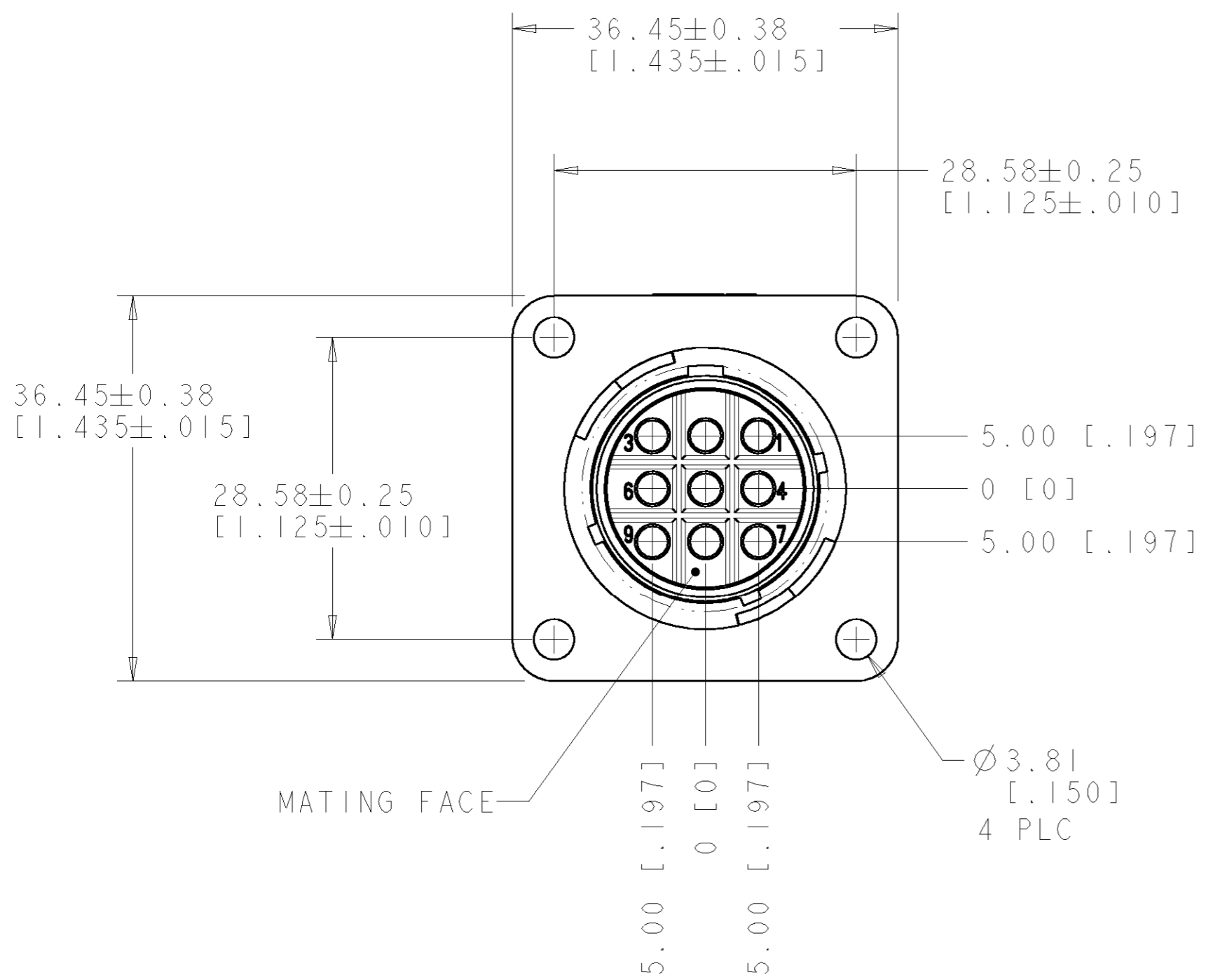
Address: A1208, Overseas Decoration Building, #122 Zhenhua RD., Futian, Shenzhen, China



THIS DRAWING IS UNPUBLISHED. RELEASED FOR PUBLICATION  
BY AMP INCORPORATED. ALL RIGHTS RESERVED.

LOC FT DIST 0

REVISIONS				
P	LTR	DESCRIPTION	DATE	APVD
0		RELEASED	31MAR100	SW -
A		REVISED EC 0G3B-0097-00	20APR00	SW MC
B		REVISED EC 0G3B-0280-00	01JUN2000	SW MC



- △ NYLON, BLACK.
- 2. HOUSING WILL ACCEPT NINE MULTIMATE SOCKET CONTACTS.
- 3. CAVITY IDENTIFICATION ON FRONT AND REAR FACE.

RECOMMENDED PANEL CUTOUT  
3.18[.125] MAX PANEL THICKNESS

796439-2  
PART NUMBER

THIS DRAWING IS A CONTROLLED DOCUMENT FOR AMP INCORPORATED. IT IS SUBJECT TO CHANGE AND THE CONTROLLING ENGINEERING ORGANIZATION SHOULD BE CONTACTED FOR THE LATEST REVISION.		DWN S. WELDON 31MART00	AMP Incorporated Harrisburg, PA 17105-3608
DIMENSIONS: mm [INCHES]		CHK M. CHACKO 31MART00	
TOLERANCES UNLESS OTHERWISE SPECIFIED:		APVD M. CHACKO 31MART00	
0 PLC ± 1 PLC ±0.1 2 PLC ±0.02 3 PLC ±0.005 4 PLC ±0.0005 ANGLES ±		PRODUCT SPEC -	
MATERIAL - △	FINISH -	APPLICATION SPEC -	NAME RECEPTACLE HOUSING, SIZE 17-9, REVERSE SEX, CPC
		WEIGHT -	SIZE A2 CAGE CODE 00779 DRAWING NO. C-796439 RESTRICTED TO -
		CUSTOMER DRAWING	SCALE 2:1 SHEET 1 OF 1 REV B