



Chipsmall Limited consists of a professional team with an average of over 10 year of expertise in the distribution of electronic components. Based in Hongkong, we have already established firm and mutual-benefit business relationships with customers from,Europe,America and south Asia,supplying obsolete and hard-to-find components to meet their specific needs.

With the principle of “Quality Parts,Customers Priority,Honest Operation,and Considerate Service”,our business mainly focus on the distribution of electronic components. Line cards we deal with include Microchip,ALPS,ROHM,Xilinx,Pulse,ON,Everlight and Freescale. Main products comprise IC,Modules,Potentiometer,IC Socket,Relay,Connector.Our parts cover such applications as commercial,industrial, and automotives areas.

We are looking forward to setting up business relationship with you and hope to provide you with the best service and solution. Let us make a better world for our industry!



Contact us

Tel: +86-755-8981 8866 Fax: +86-755-8427 6832

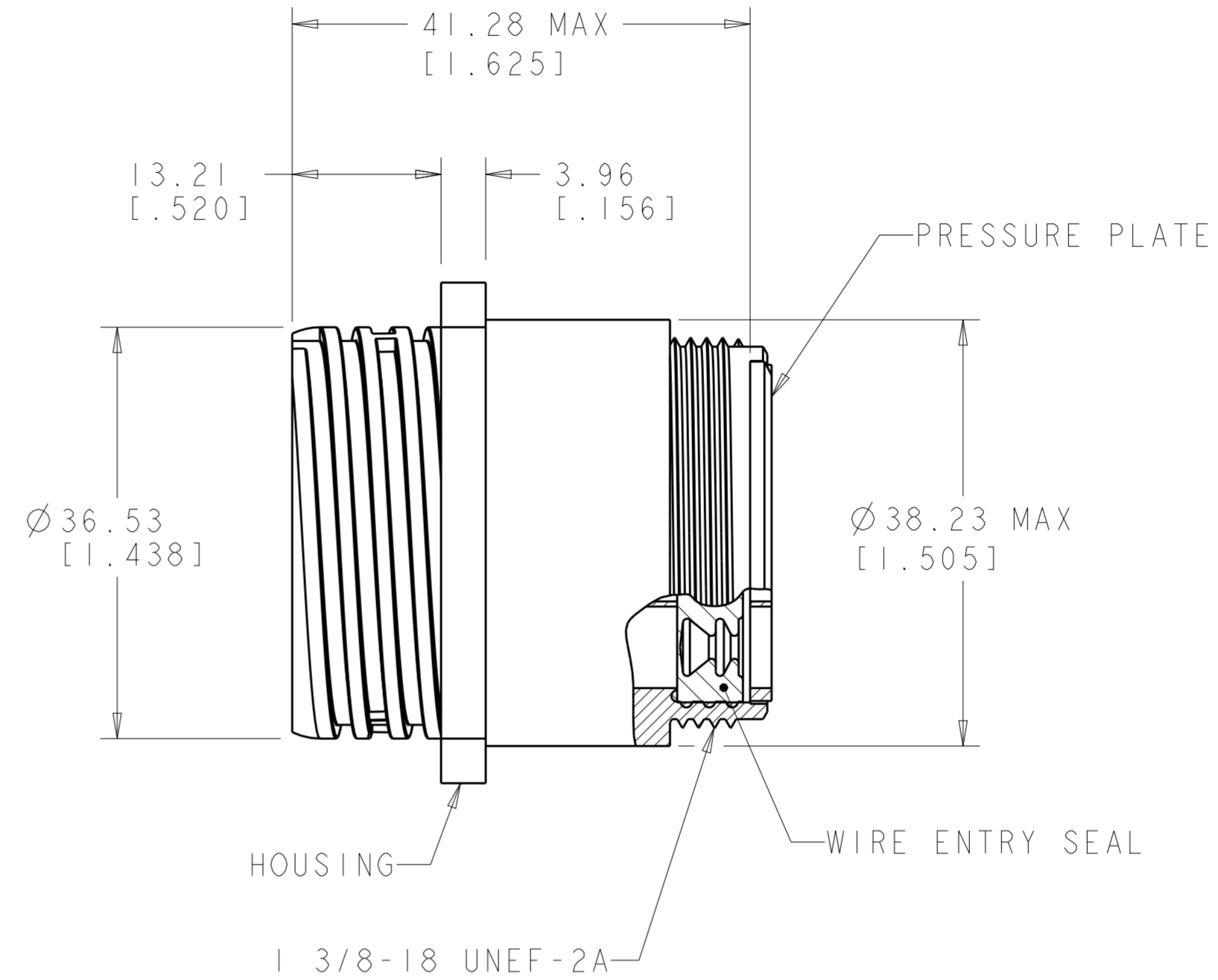
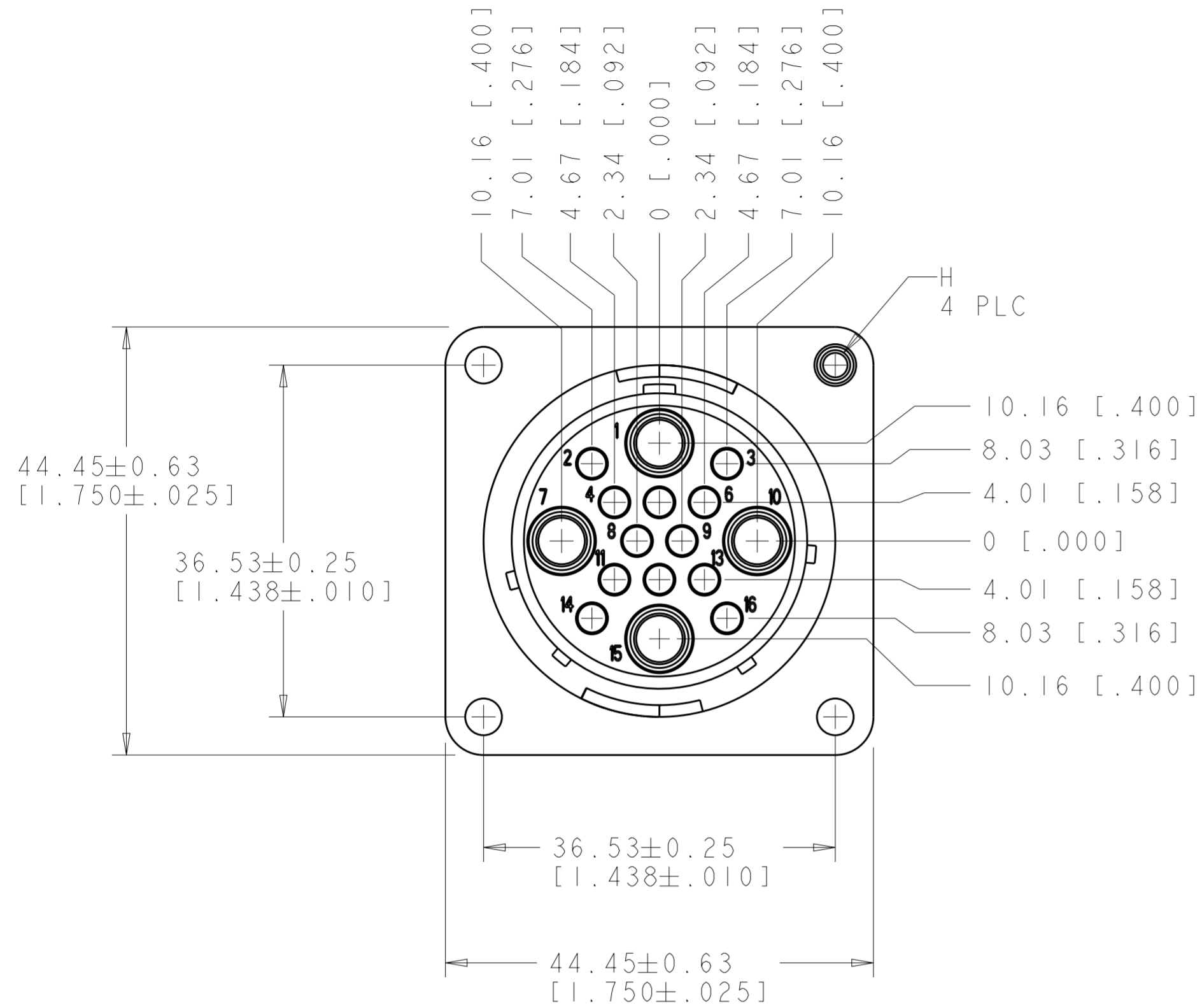
Email & Skype: info@chipsmall.com Web: www.chipsmall.com

Address: A1208, Overseas Decoration Building, #122 Zhenhua RD., Futian, Shenzhen, China

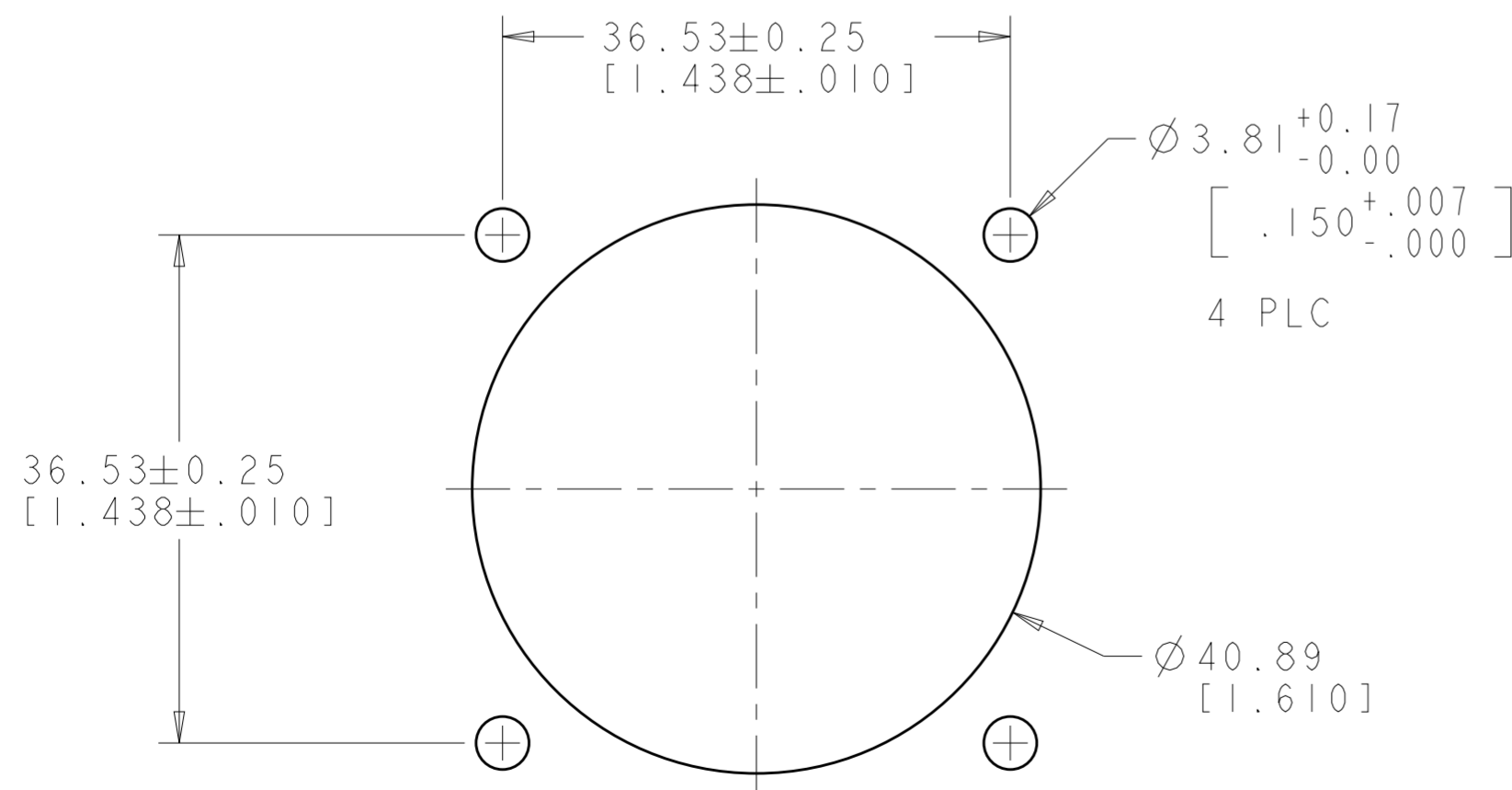


THIS DRAWING IS UNPUBLISHED. RELEASED FOR PUBLICATION
 © COPYRIGHT copyright.d8te- ALL RIGHTS RESERVED.

REVISIONS				
P	LTR	DESCRIPTION	DATE	APVD
B2		REVISED PER ECO-16-004800	08SEP2016	NK MZ



- 1 HOUSING & PRESSURE PLATE: NYLON, BLACK.
 WIRE ENTRY SEAL: ELASTOMER, RED-IRON OXIDE.
 PERIPHERAL SEAL: ELASTOMER, GREY.
- 2. WILL ACCEPT (12) MULTIMATE PINS AND (4) POWER MALE CONTACTS.
- 3 OBSOLETE PARTS: OBSOLETE CIS STREAMLINING PER D.RENAUD/D.SINISI



RECOMMENDED PANEL CUTOUT

3	OBSOLETE	POWER	3.81 ± 0.07 [.150 ± .003]	796466-3
	OBSOLETE	STD	W/ THREADED INSERTS	796466-2
		STD	3.81 ± 0.07 [.150 ± .003]	796466-1
		WIRE ENTRY SEAL	H	PART NUMBER

THIS DRAWING IS A CONTROLLED DOCUMENT.		DWN S. WELDON 10MAY00	TE Connectivity	
DIMENSIONS: mm [INCHES]		CHK K. DOWHOWER 10MAY00		
TOLERANCES UNLESS OTHERWISE SPECIFIED:		APVD K. DOWHOWER 10MAY00	NAME RECEPTACLE ASSY, SERIES 6, STANDARD SEX, SIZE 23-16, CIRCULAR PLASTIC CONNECTOR	
0 PLC ±		PRODUCT SPEC 108-1579	SIZE CAGE CODE DRAWING NO RESTRICTED TO	
1 PLC ±		APPLICATION SPEC	A200779 C-796466	
2 PLC ±0.02		WEIGHT -	SCALE 2:1 SHEET 1 OF 1 REV B2	
3 PLC ±		CUSTOMER DRAWING		
4 PLC ±				
ANGLES ±				
FINISH ±				