



Chipsmall Limited consists of a professional team with an average of over 10 year of expertise in the distribution of electronic components. Based in Hongkong, we have already established firm and mutual-benefit business relationships with customers from,Europe,America and south Asia,supplying obsolete and hard-to-find components to meet their specific needs.

With the principle of “Quality Parts,Customers Priority,Honest Operation,and Considerate Service”,our business mainly focus on the distribution of electronic components. Line cards we deal with include Microchip,ALPS,ROHM,Xilinx,Pulse,ON,Everlight and Freescale. Main products comprise IC,Modules,Potentiometer,IC Socket,Relay,Connector.Our parts cover such applications as commercial,industrial, and automotives areas.

We are looking forward to setting up business relationship with you and hope to provide you with the best service and solution. Let us make a better world for our industry!



## Contact us

Tel: +86-755-8981 8866 Fax: +86-755-8427 6832

Email & Skype: info@chipsmall.com Web: www.chipsmall.com

Address: A1208, Overseas Decoration Building, #122 Zhenhua RD., Futian, Shenzhen, China



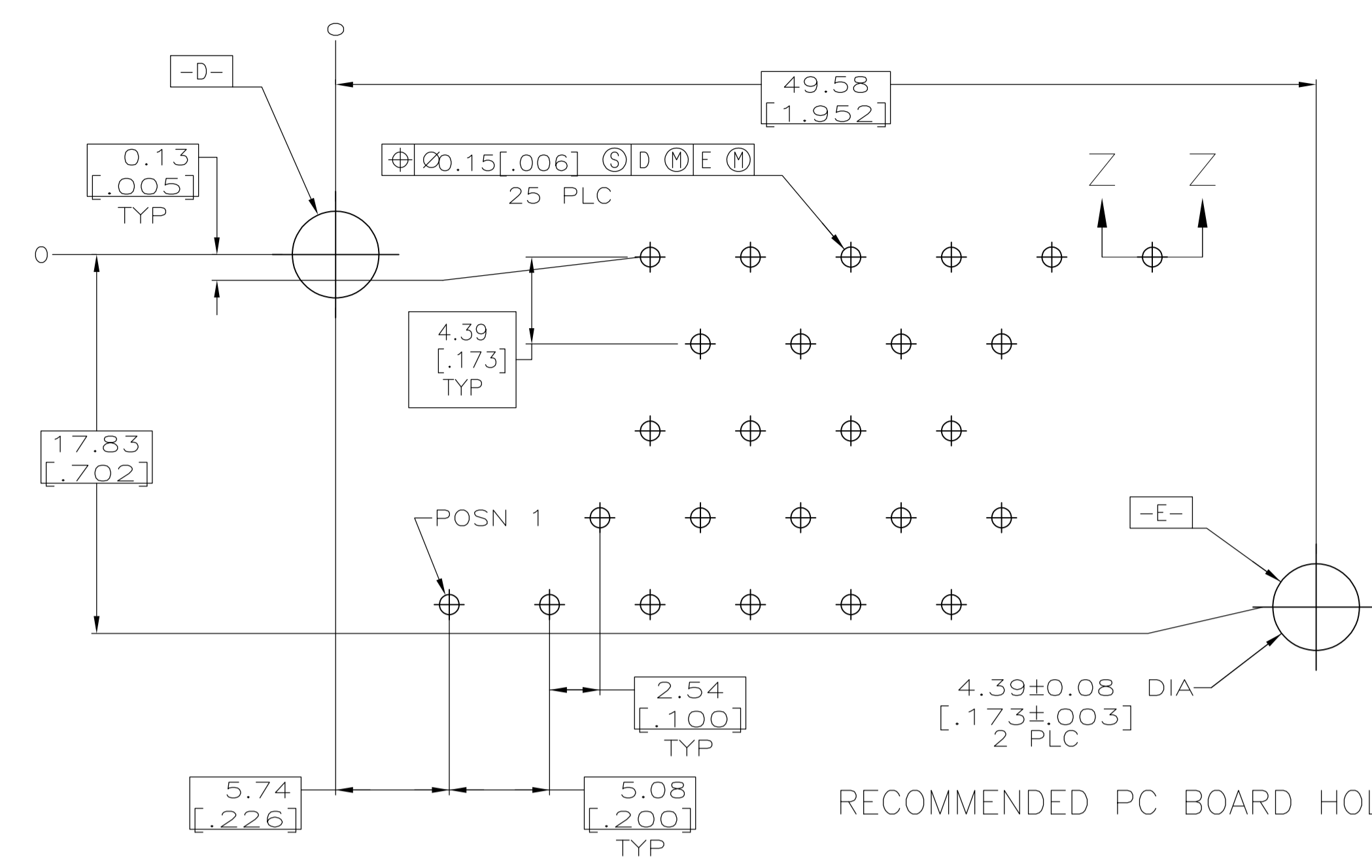
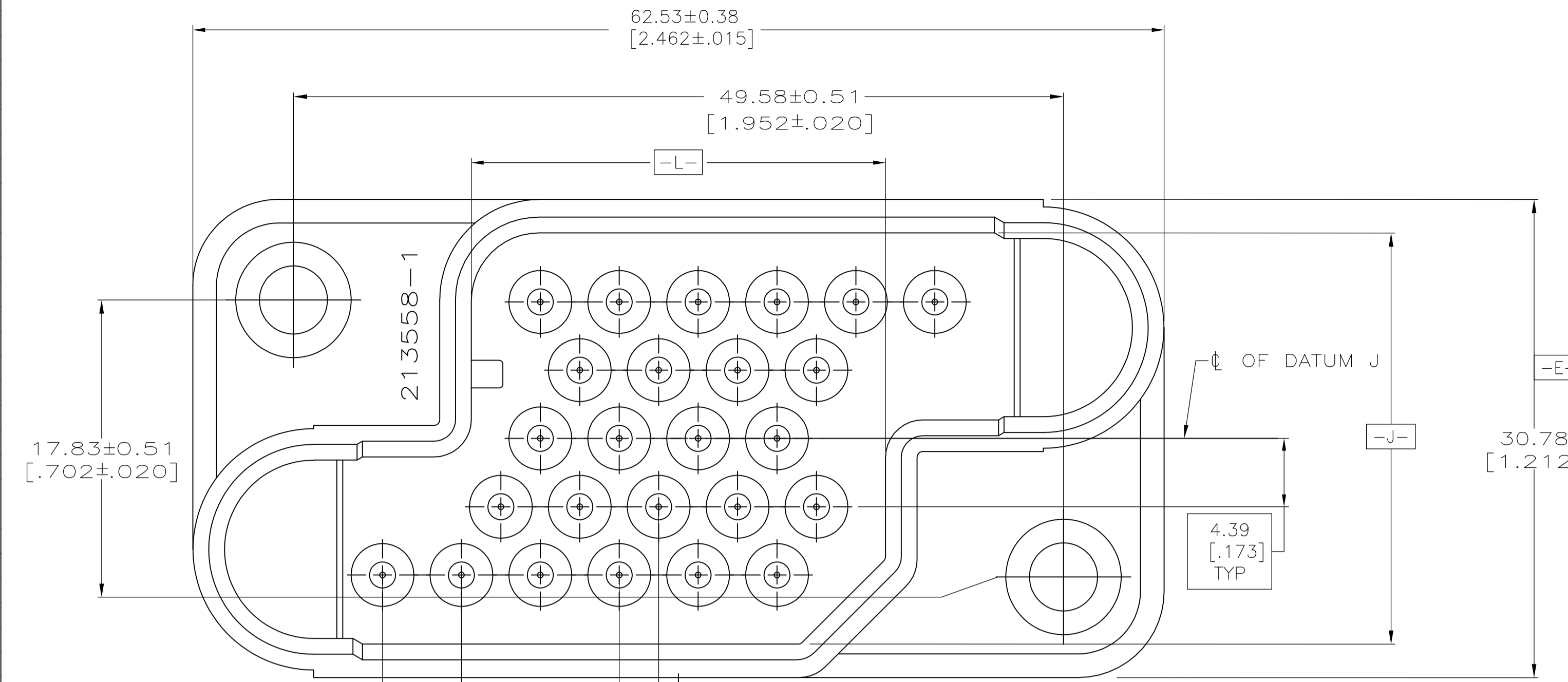
LOC		DIST		REVISIONS			
FT	0	REV	DESCRIPTION	DATE	BY	CHK	APPV
F		1	REVISED PER 063B-0242-05	4/29/05	SS	GS	
F1		2	REVISED PER ECO-10-000443	18JAN10	KK	HMR	

- ① 0.76um[.000030] MIN GOLD IN LOCALIZED GOLD PLATE AREA, 3.81um [.000150] MIN TIN-LEAD IN LOCALIZED TIN PLATE AREA, BOTH OVER 1.27um[.000050] MIN NICKEL.
- ② POSITIONS 1 THRU 11 AND 17 THRU 25 ARE LOADED WITH GROUND TYPE CONTACTS, POSITIONS 12 THRU 16 ARE LOADED WITH POWER TYPE CONTACTS.
- ③ POSITIONS 1 THRU 6 AND 17 THRU 25 ARE LOADED WITH GROUND TYPE CONTACTS, POSITIONS 7 THRU 16 ARE LOADED WITH POWER TYPE CONTACTS.
- ④ 2, 6, 10 TO 16, 20, 21 & 24 ARE LOADED WITH GROUND TYPE CONTACTS.
- ⑤ 5 TO 9, 11, 13, 14, 15, 20 & 25 ARE LOADED WITH POWER TYPE CONTACTS, POSITION 10 IS LOADED WITH GROUND TYPE CONTACTS.
- ⑥ 1 THRU 13, 15 THRU 17, 20, 21, 23 & 25 ARE LOADED WITH POWER TYPE CONTACTS, POSITIONS 14 & 24 ARE LOADED WITH GROUND TYPE CONTACTS.
- ⑦ 2.54um[.000100] MIN TIN-LEAD OVER 1.27um[.000050] MIN NICKEL.
- ⑧ CONTACTS: PHOSPHOR BRONZE, HOUSING; POLYSULFONE, BLACK.
- ⑨ 0.76um[.000030] MIN GOLD IN LOCALIZED GOLD PLATE AREA, 3.81um [.000150] MIN TIN IN LOCALIZED TIN PLATE AREA, BOTH OVER 1.27um [.000050] MIN NICKEL.
- ⑩ 2.54um[.000100] MIN TIN OVER 1.27um[.000050] MIN NICKEL.
- ⑪ OBSOLETE PARTS: OBSOLETE CIS STREAMLINING PER D.RENAUD/D.SINISI

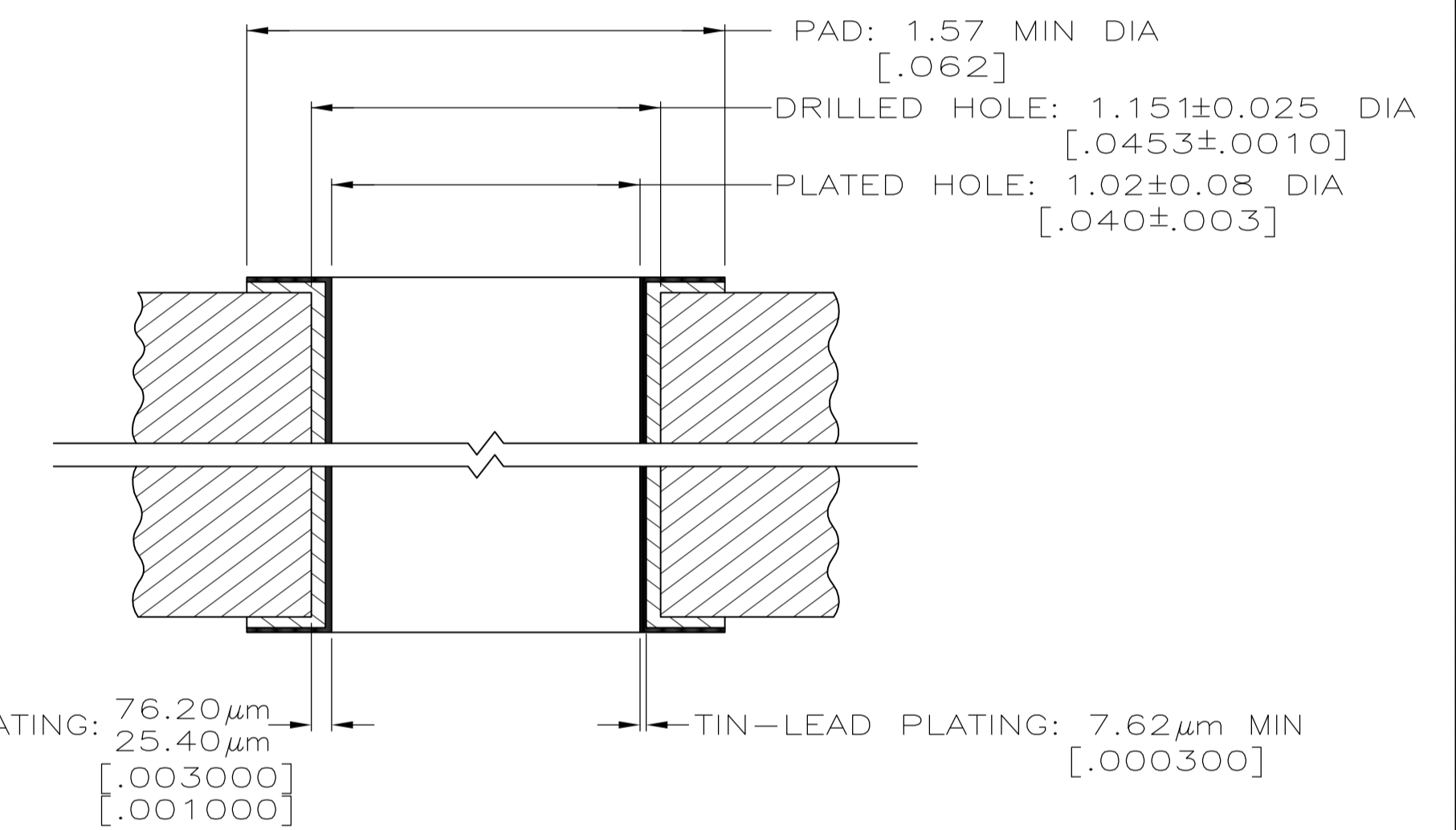
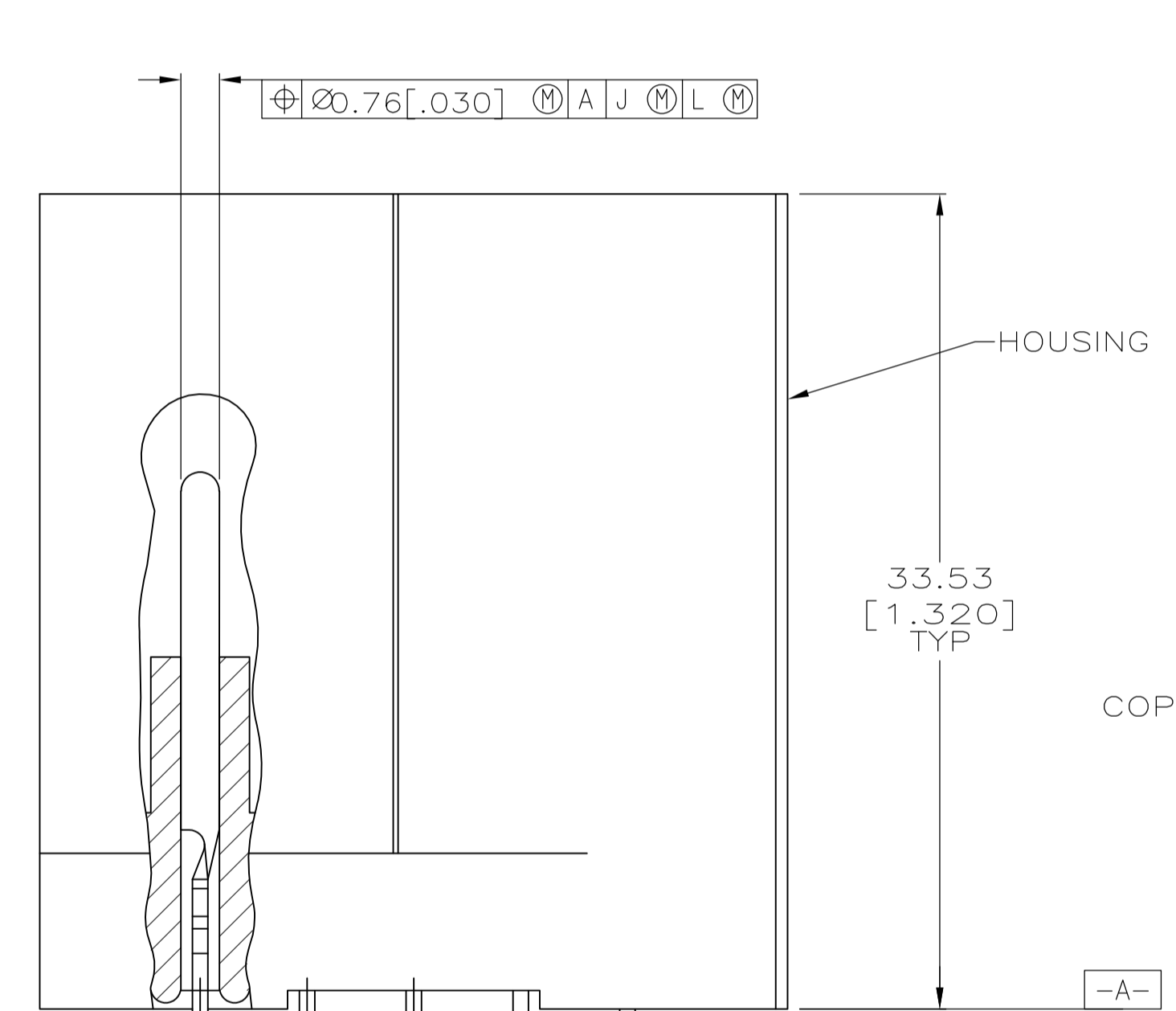
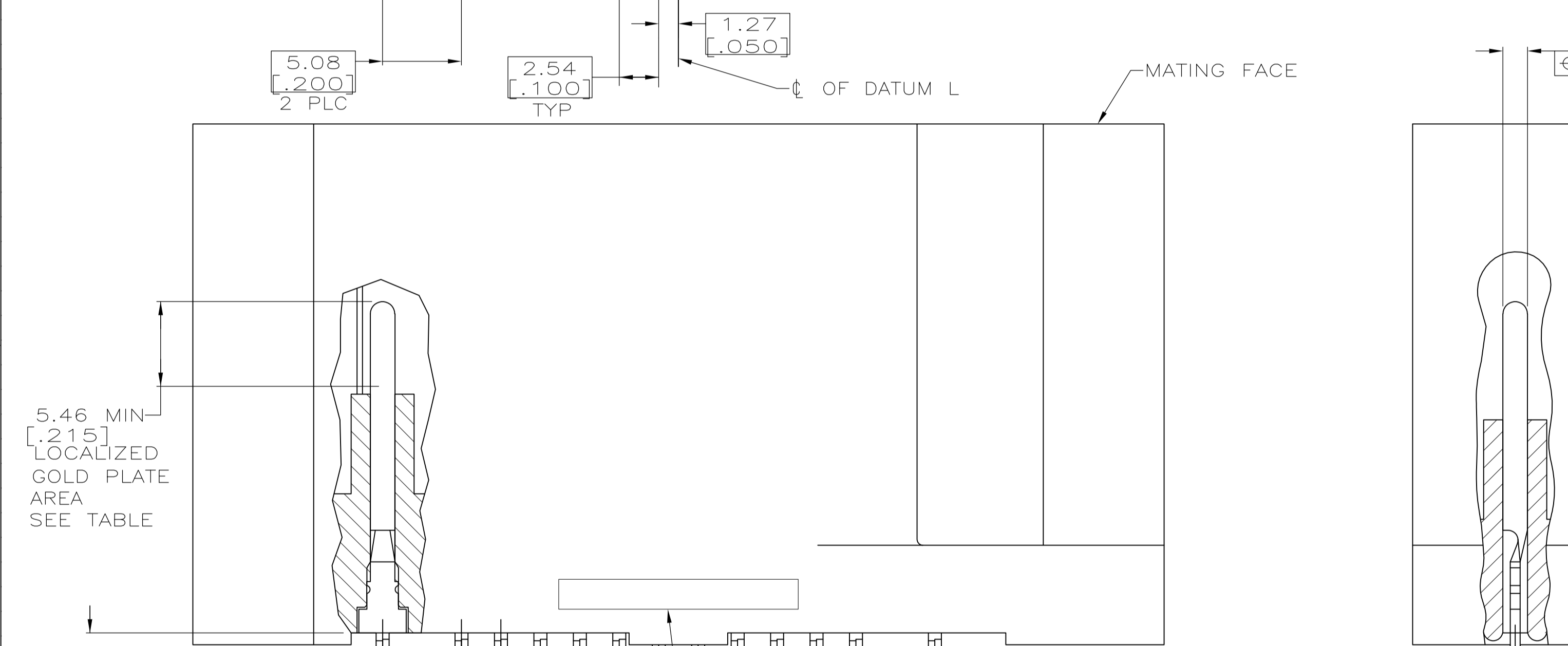
REV	DESCRIPTION	DATE	BY	CHK	APPV
⑪	OBSOLETE				
⑨		22	1	796590-6	
⑨		12	1	796590-5	
⑨		12	1	796590-4	
⑩		25	1	796590-3	
⑧	FULL	25	1	796590-2	
⑩	FULL	25	1	796590-1	
⑨		25	1	796590-0	
⑨		25		796590-9	
⑪	OBSOLETE				
⑪	OBSOLETE				
①		22		796590-8	
①		12		796590-7	
①		12		796590-6	
①		25		796590-5	
①	FULL	25		796590-4	
⑪	OBSOLETE				
①	FULL	25		796590-3	
①		25		796590-2	
①		25		796590-1	
	FINISH	LOCATION	QTY	PART NUMBER	
		CONTACT			

THIS DRAWING IS A CONTROLLED DOCUMENT.

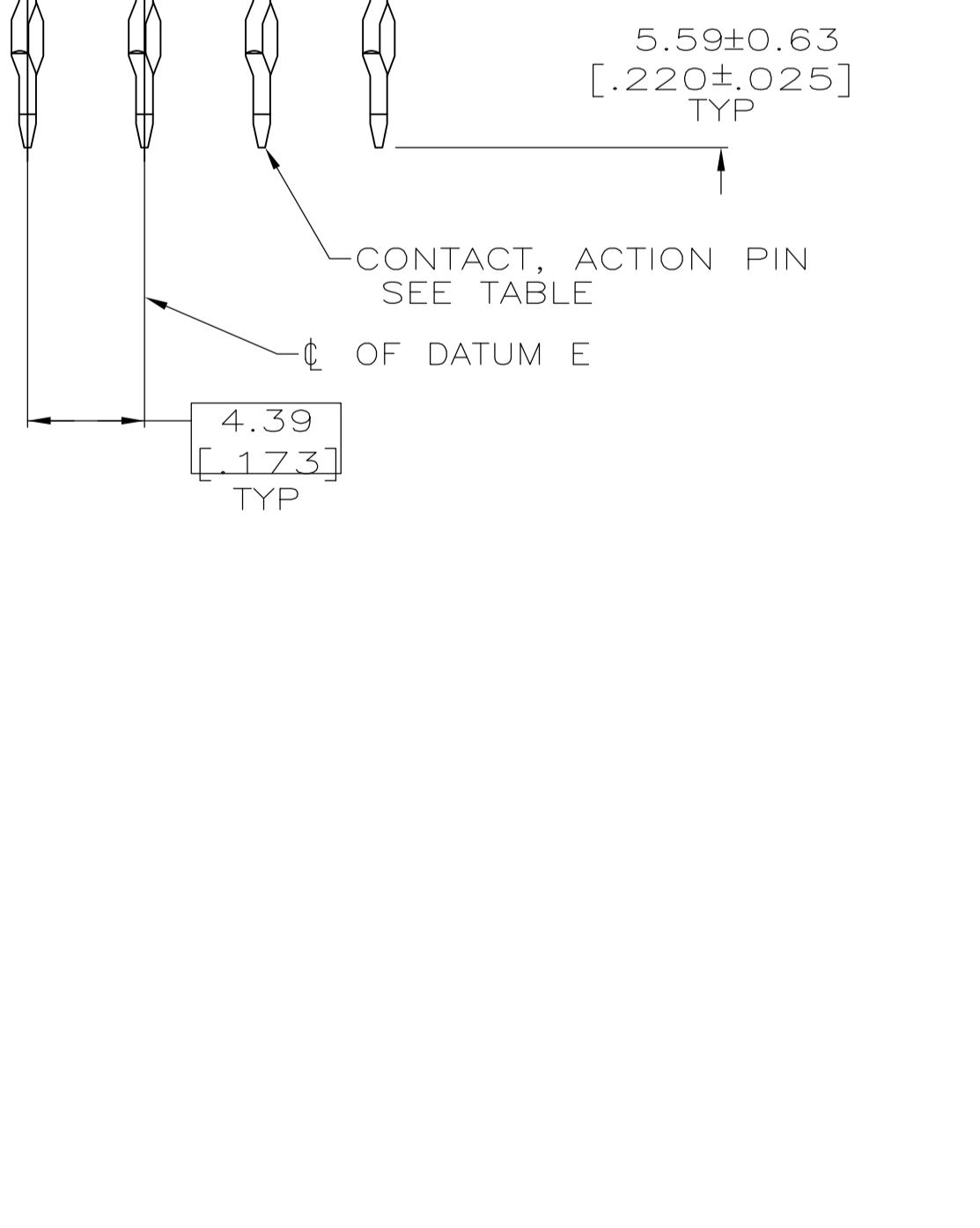
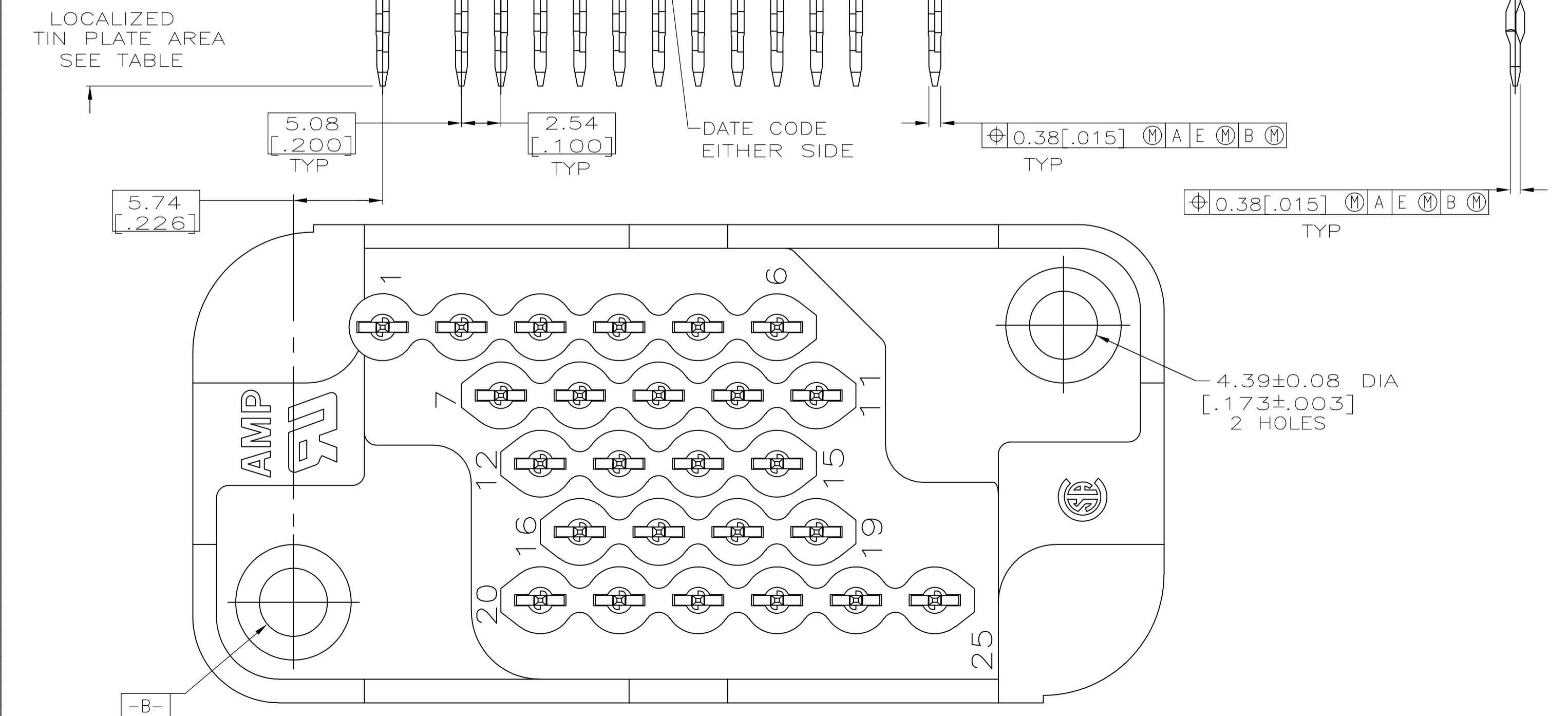
DIMENSIONS: mm [INCHES]	TOLERANCES UNLESS OTHERWISE SPECIFIED:	DIN S. WELDON 26SEP00	APPROVED K. DOWHOWER 26SEP00	NAME	Tyco Electronics Corporation Harrisburg, Pa 17105-3608
0. PLC ± -	1. PLC ± -	CHK K. DOWHOWER 26SEP00	APPROVED K. DOWHOWER 26SEP00	PRODUCT SPEC	
2. PLC ± 0.25 [010]	3. PLC ± -			APPLICATION SPEC	
4. PLC ± -	ANGLES ± -			SIZE	A1
MATERIAL	FINISH	WEIGHT		CAGE CODE	00779
				DRAWING NO	796590
				RESTRICTED TO	
				SCALE	4:1
				SHEET	1 OF 2
				REV	F1



RECOMMENDED PC BOARD HOLE PATTERN



SECTION Z-Z  
COPPER HARDNESS: (KNOOP) 150 MAX  
SCALE 50:1  
25 PLC



THIS DRAWING IS A CONTROLLED DOCUMENT.		DN: S.WELDON 26SEP00	Tyco Electronics Tyco Electronics Corporation Harrisburg, Pa 17105-3608
DIMENSIONS: mm [INCHES]		CHK: K.DOWHOWER 26SEP00	
TOLERANCES UNLESS OTHERWISE SPECIFIED:		APVD: K.DOWHOWER 26SEP00	NAME: HEADER ASSEMBLY, 25 POSN, ACTION PIN, METRIMATE
0 PLC	± .010	PRODUCT SPEC	APPLICATION SPEC
1 PLC	± .015	APPLICATION SPEC	RESTRICTED TO
2 PLC	± .025 [010]	SIZE: A1	CAGE CODE: 00779
3 PLC	± .030	DRAWING NO: C=796590	SCALE: 4:1
4 PLC	± .040	WEIGHT: -	SHEET: 2 OF 2
ANGLES	± .003	CUSTOMER DRAWING	REV: F1