



Chipsmall Limited consists of a professional team with an average of over 10 year of expertise in the distribution of electronic components. Based in Hongkong, we have already established firm and mutual-benefit business relationships with customers from,Europe,America and south Asia,supplying obsolete and hard-to-find components to meet their specific needs.

With the principle of “Quality Parts,Customers Priority,Honest Operation,and Considerate Service”,our business mainly focus on the distribution of electronic components. Line cards we deal with include Microchip,ALPS,ROHM,Xilinx,Pulse,ON,Everlight and Freescale. Main products comprise IC,Modules,Potentiometer,IC Socket,Relay,Connector.Our parts cover such applications as commercial,industrial, and automotives areas.

We are looking forward to setting up business relationship with you and hope to provide you with the best service and solution. Let us make a better world for our industry!



Contact us

Tel: +86-755-8981 8866 Fax: +86-755-8427 6832

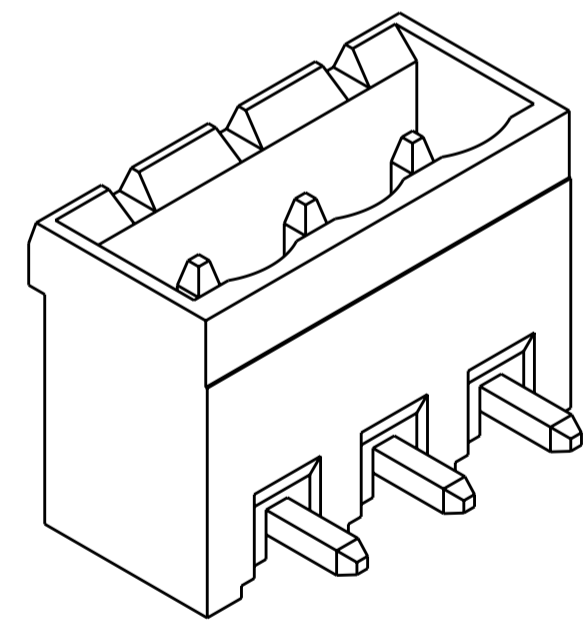
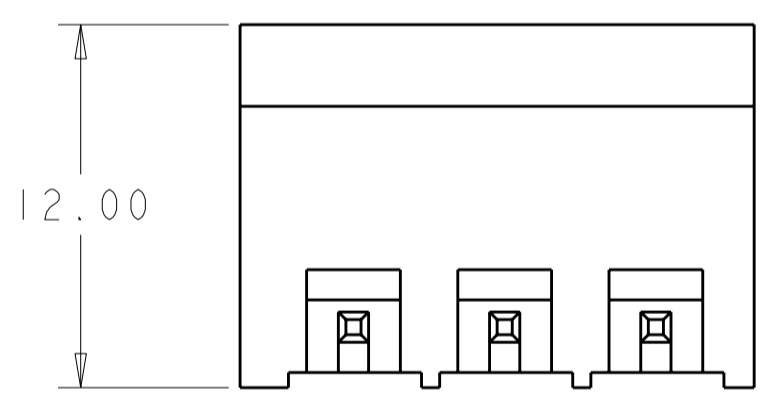
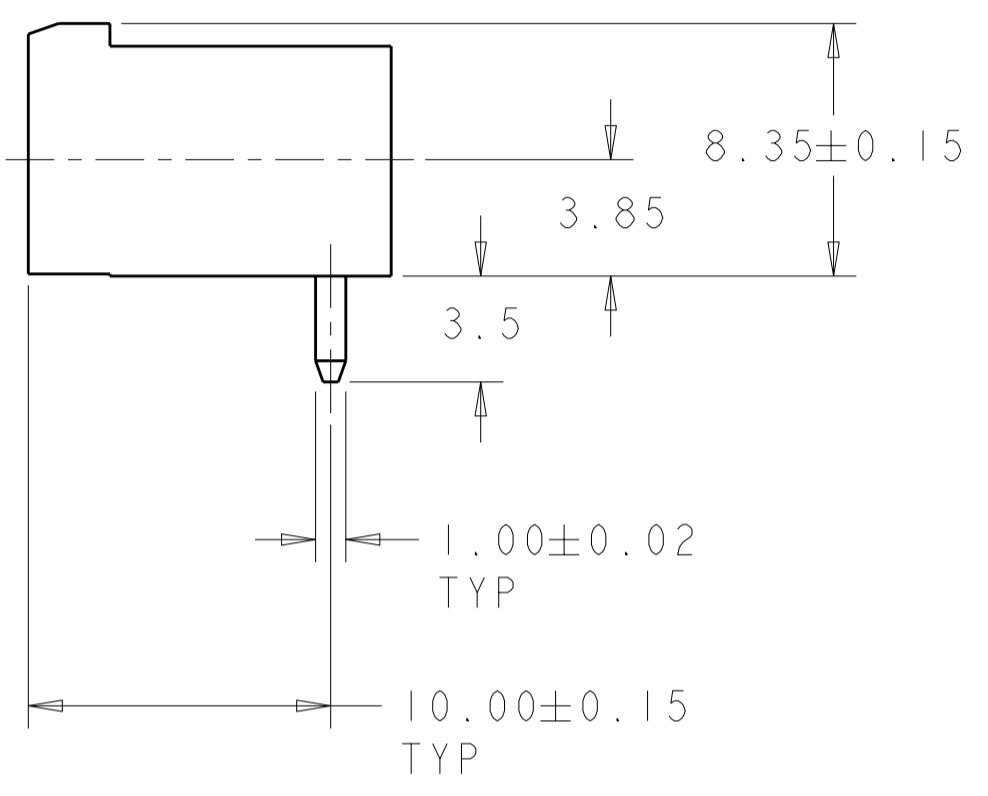
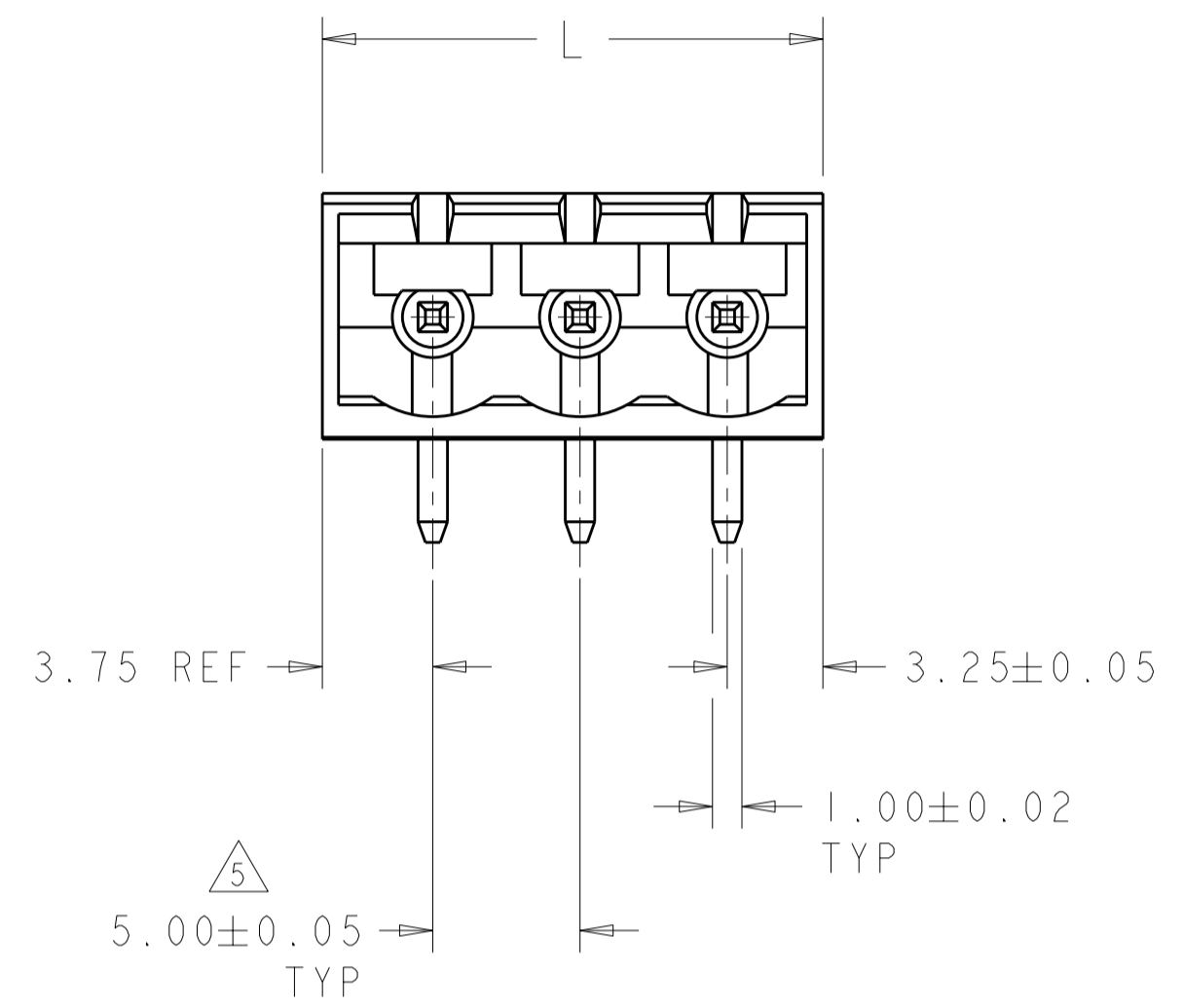
Email & Skype: info@chipsmall.com Web: www.chipsmall.com

Address: A1208, Overseas Decoration Building, #122 Zhenhua RD., Futian, Shenzhen, China

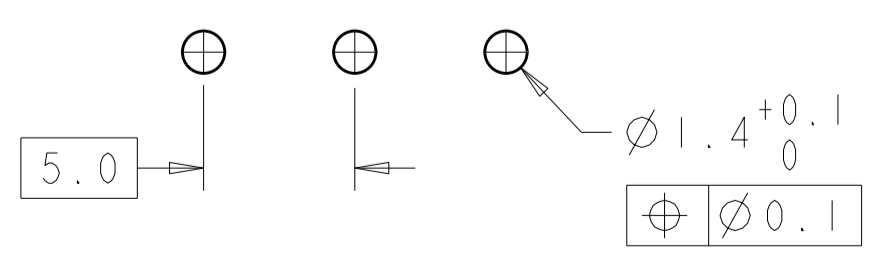


THIS DRAWING IS UNPUBLISHED. RELEASED FOR PUBLICATION 20
 © COPYRIGHT 20 BY - ALL RIGHTS RESERVED.

REVISIONS					
P	LTR	DESCRIPTION	DATE	DWN	APVD
C4		REVISED PER ECO-12-007711	25APR2012	KH	MS



796644-3 AS SHOWN



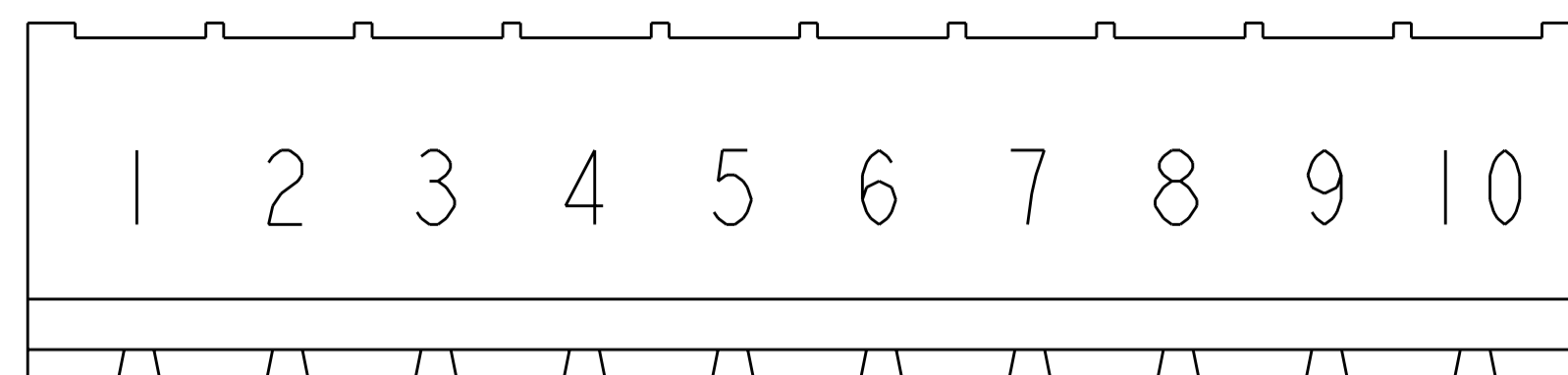
RECOMMENDED PC BOARD LAYOUT

8	TIN	-	DETAIL N KEY POSN 1,4,7	37.0	7	3-796644-7
8	GOLD FLASH	-	-	37.0	7	3-796644-6
	TIN	6	DETAIL M	27.0	5	3-796644-5
	TIN	6	DETAIL L	52.0	10	3-796644-0
	TIN	-	-	127.0	25	2-796644-5
	TIN	-	-	122.0	24	2-796644-4
	TIN	-	-	117.0	23	2-796644-3
	TIN	-	-	112.0	22	2-796644-2
	TIN	-	-	107.0	21	2-796644-1
	TIN	-	-	102.0	20	2-796644-0
	TIN	-	-	97.0	19	1-796644-9
	TIN	-	-	92.0	18	1-796644-8
	TIN	-	-	87.0	17	1-796644-7
	TIN	-	-	82.0	16	1-796644-6
	TIN	-	-	77.0	15	1-796644-5
	TIN	-	-	72.0	14	1-796644-4
	TIN	-	-	67.0	13	1-796644-3
	TIN	-	-	62.0	12	1-796644-2
	TIN	-	-	57.0	11	1-796644-1
	TIN	-	-	52.0	10	1-796644-0
	TIN	-	-	47.0	9	796644-9
	TIN	-	-	42.0	8	796644-8
	TIN	-	-	37.0	7	796644-7
	TIN	-	-	32.0	6	796644-6
	TIN	-	-	27.0	5	796644-5
	TIN	-	-	22.0	4	796644-4
	TIN	-	-	17.0	3	796644-3
	TIN	-	-	12.0	2	796644-2
	TERMINAL PLATING	MARKING	SPECIAL	DIM L	NO OF POSN	PART NUMBER

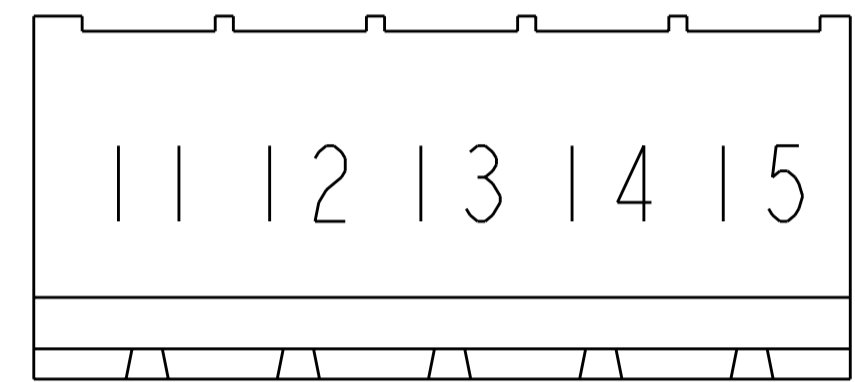
THIS DRAWING IS A CONTROLLED DOCUMENT.		DWN S. WELDON 19OCT2000	TE Connectivity	
DIMENSIONS: mm		CHK D. BIEVENOUR 19OCT2000		
TOLERANCES UNLESS OTHERWISE SPECIFIED:		APVD D. BIEVENOUR 19OCT2000	NAME	
0 PLC ±		PRODUCT SPEC	TERMI-BLOK HEADER ASSEMBLY, 90 DEGREE, CLOSED ENDS, 5.00mm PITCH	
1 PLC ±0.1		APPLICATION SPEC	SIZE	RESTRICTED TO
2 PLC ±0.25		WEIGHT	A200779	
3 PLC ±		CUSTOMER DRAWING	CAGE CODE	DRAWING NO
4 PLC ±		SCALE 4:1	G-796644	
ANGLES ±		SHEET 1 OF 2		
FINISH		REV C4		

THIS DRAWING IS UNPUBLISHED. RELEASED FOR PUBLICATION 20
 © COPYRIGHT 20 BY - ALL RIGHTS RESERVED.

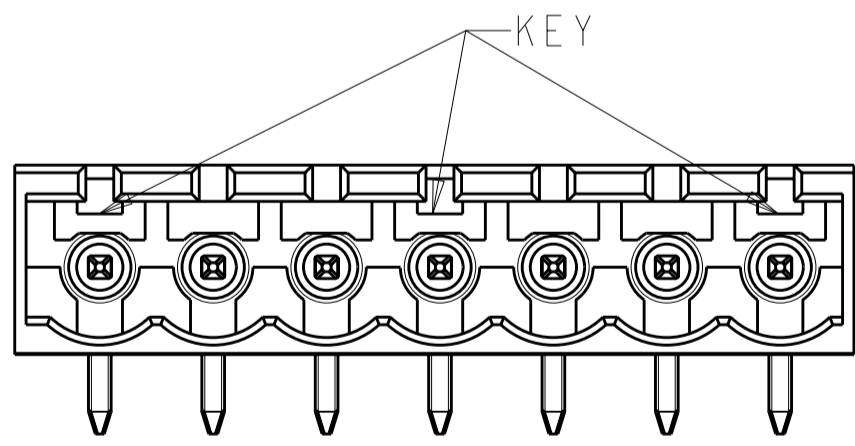
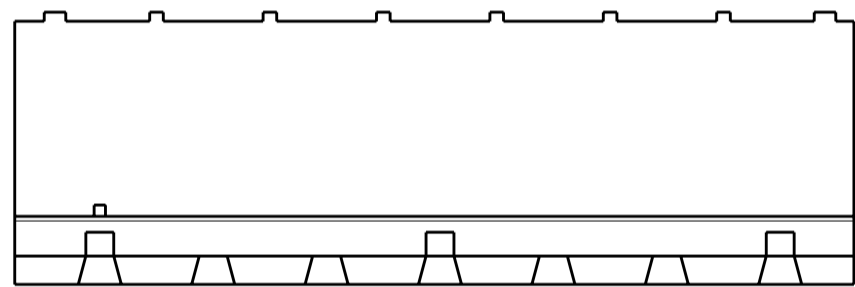
LOC		DIST		REVISIONS			
P	LTR	DESCRIPTION	DATE	DWN	APVD		
-	-	SEE SHEET 1	-	-	-		



DETAIL L



DETAIL M



DETAIL N

- △ 1. MATERIALS AND FINISH:
 HOUSING: PA 6-6, UL 94-V0, COLOR: GREEN.
 TERMINAL: COPPER ALLOY, PLATING: SEE TABLE.
- 2. SUITABLE FOR 1,6-2, 4mm PC BOARD THICKNESS.
- 3. RECOGNIZED UNDER THE COMPONENT PROGRAM OF UNDERWRITERS LABORATORIES INC. FILE N° E60677.
- 4. IMQ CERTIFICATE WITH SURVEILLANCE IN CONFORMITY WITH IEC 998-1/998-2-1.)
- △ 5. NOT CUMULATIVE TOLERANCE
- △ 6. INK MARKED WHITE.
- 7. BUCHANAN LOGO TO APPEAR ON HOUSING, LOCATION OPTIONAL WHERE SPACE PERMITS.
- △ 8. PRELIMINARY - NOT FOR PRODUCTION.

THIS DRAWING IS A CONTROLLED DOCUMENT.		DWN S. WELDON 19OCT2000	STE TE Connectivity	
DIMENSIONS: mm		CHK D. BIEVENOUR 19OCT2000		
TOLERANCES UNLESS OTHERWISE SPECIFIED:		APVD D. BIEVENOUR 19OCT2000	NAME TERMI-BLOK HEADER ASSEMBLY, 90 DEGREE, CLOSED ENDS, 5.00mm PITCH	
0 PLC ±-		PRODUCT SPEC	SIZE	RESTRICTED TO
1 PLC ±0.1		APPLICATION SPEC	CAGE CODE	
2 PLC ±0.25		WEIGHT	DRAWING NO	
3 PLC ±-		MATERIAL	A200779	
4 PLC ±-		FINISH	C-796644	
ANGLES ±-		CUSTOMER DRAWING		
FINISH ±-		SCALE	SHEET	REV
-		3:1	2 OF 2	C4