



Chipsmall Limited consists of a professional team with an average of over 10 year of expertise in the distribution of electronic components. Based in Hongkong, we have already established firm and mutual-benefit business relationships with customers from,Europe,America and south Asia,supplying obsolete and hard-to-find components to meet their specific needs.

With the principle of "Quality Parts,Customers Priority,Honest Operation,and Considerate Service",our business mainly focus on the distribution of electronic components. Line cards we deal with include Microchip,ALPS,ROHM,Xilinx,Pulse,ON,Everlight and Freescale. Main products comprise IC,Modules,Potentiometer,IC Socket,Relay,Connector.Our parts cover such applications as commercial,industrial, and automotives areas.

We are looking forward to setting up business relationship with you and hope to provide you with the best service and solution. Let us make a better world for our industry!



Contact us

Tel: +86-755-8981 8866 Fax: +86-755-8427 6832

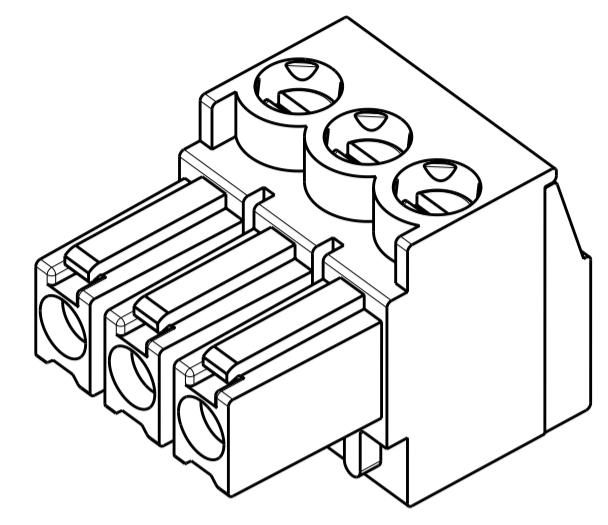
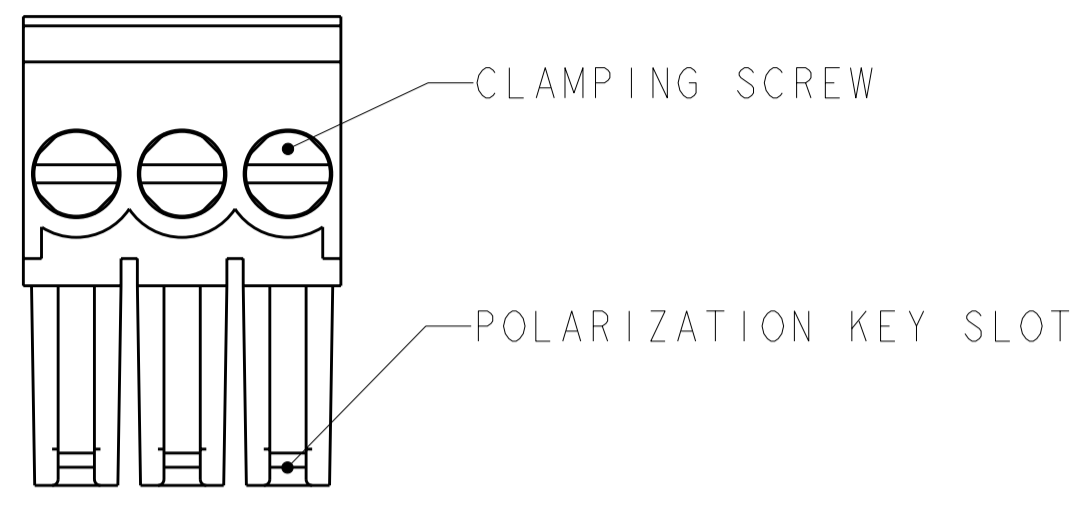
Email & Skype: info@chipsmall.com Web: www.chipsmall.com

Address: A1208, Overseas Decoration Building, #122 Zhenhua RD., Futian, Shenzhen, China

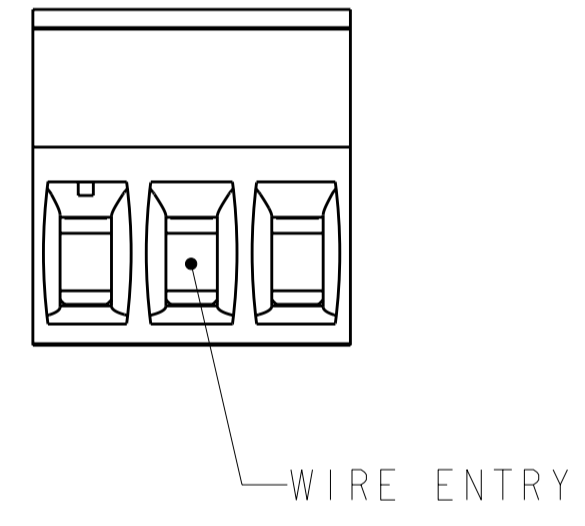
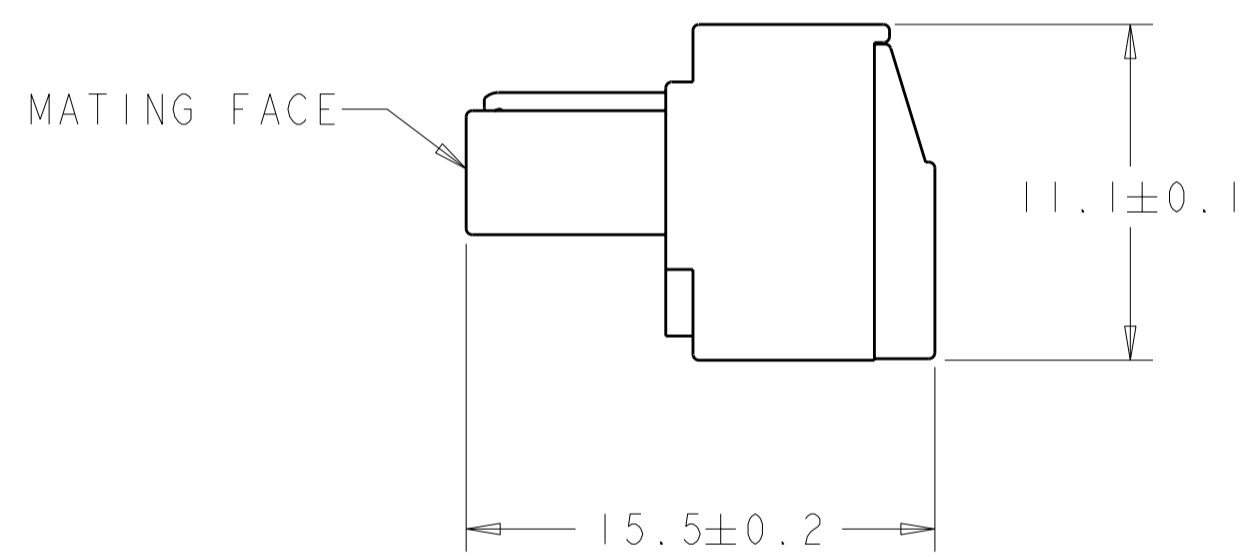
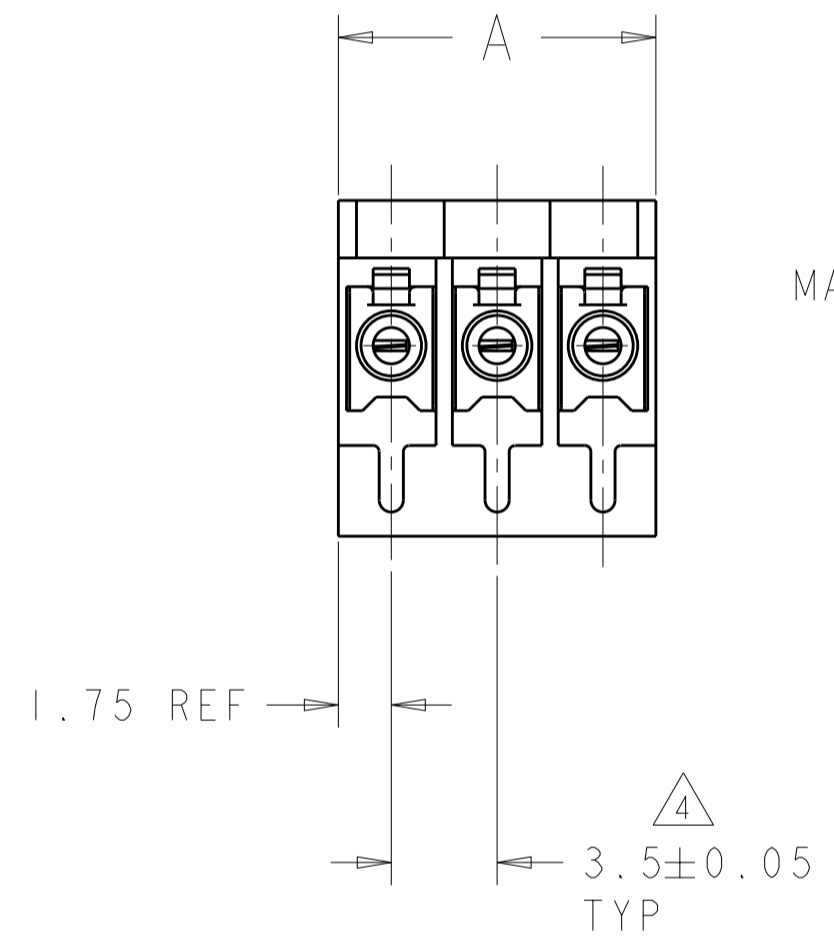


THIS DRAWING IS UNPUBLISHED. RELEASED FOR PUBLICATION 20
 © COPYRIGHT 20 ALL RIGHTS RESERVED.

LOC	DIST	REVISIONS			
P	LTR	DESCRIPTION	DATE	DWN	APVD
FT	0	B2	REVISED PER ECO-11-012727	21JUN2011	HMR CR



796693-3 AS SHOWN



6	SEE SHEET 2	28.0	8	4-796693-1
6	SEE SHEET 2	21.0	6	4-796693-0
	SEE SHEET 2	31.5	9	3-796693-9
	SEE SHEET 2	14.0	4	3-796693-4
	SEE SHEET 2	35.0	10	3-796693-0
	-	87.5	25	2-796693-5
	-	84.0	24	2-796693-4
	-	80.5	23	2-796693-3
	-	77.0	22	2-796693-2
	-	73.5	21	2-796693-1
	-	70.0	20	2-796693-0
	-	66.5	19	1-796693-9
	-	63.0	18	1-796693-8
	-	59.5	17	1-796693-7
	-	56.0	16	1-796693-6
	-	52.5	15	1-796693-5
	-	49.0	14	1-796693-4
	-	45.5	13	1-796693-3
	-	42.0	12	1-796693-2
	-	38.5	11	1-796693-1
	-	35.0	10	1-796693-0
	-	31.5	9	796693-9
	-	28.0	8	796693-8
	-	24.5	7	796693-7
	-	21.0	6	796693-6
	-	17.5	5	796693-5
	-	14.0	4	796693-4
	-	10.5	3	796693-3
	-	7.0	2	796693-2

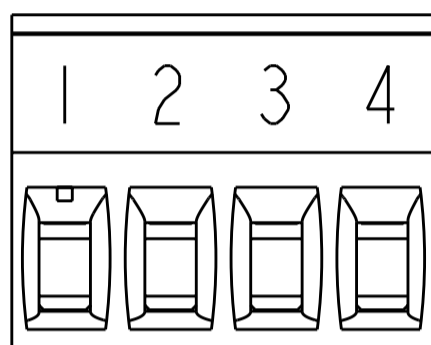
1 MATERIALS AND FINISH:
 HOUSING : PA 6.6, UL 94-V0, COLOR: BLUE.
 CLAMP : BRASS, NICKEL PLATED
 TERMINAL : BRASS, TIN PLATED
 CONTACT SPRING : PHOSPHOR BRONZE, TIN PLATED
 CLAMPING SCREW : M2, BRASS, NICKEL PLATED

- 2. END-TO-END STACKABLE WITHOUT LOSS OF CENTERLINE SPACING
- 3. WIRE SIZE RANGE: 14-30 AWG (UL APPROVAL)
- 4 NOT CUMULATIVE TOLERANCE.
- 5 CHARACTERS INK STAMPED AS SHOWN, COLOR: WHITE.
- 6 PRELIMINARY PART

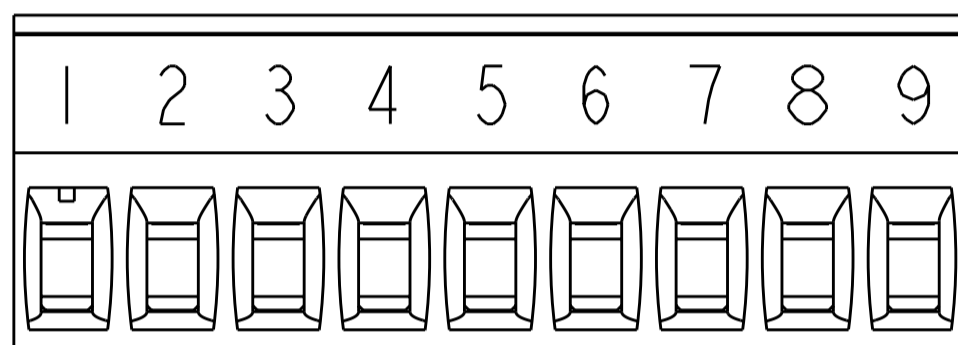
THIS DRAWING IS A CONTROLLED DOCUMENT.		DWN S.WELDON 27NOV2000	TE Connectivity	
DIMENSIONS: mm		CHK D.BIEVENOUR 27NOV2000		
TOLERANCES UNLESS OTHERWISE SPECIFIED:		APVD D.BIEVENOUR 27NOV2000	NAME	
0 PLC ±		PRODUCT SPEC	TERMI BLOK, PLUG, STACKING	
1 PLC ±		108-20166	3.5 mm PITCH	
2 PLC ±		APPLICATION SPEC	SIZE	CAGE CODE
3 PLC ±		114-20079	A2	00779
4 PLC ±		WEIGHT	DRAWING NO	RESTRICTED TO
ANGLES ±		-	C-796693	-
FINISH		CUSTOMER DRAWING	SCALE 4:1	SHEET 1 OF 2 REV B2

THIS DRAWING IS UNPUBLISHED. RELEASED FOR PUBLICATION 20
 © COPYRIGHT 20 ALL RIGHTS RESERVED.

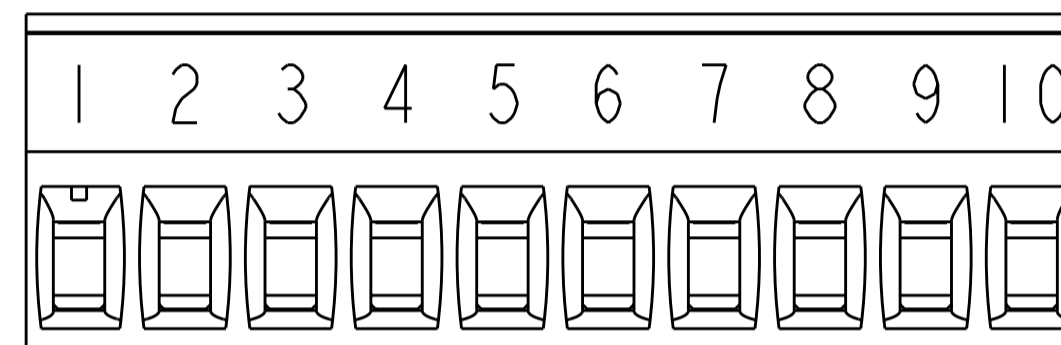
LOC	DIST	REVISIONS			
P	LTR	DESCRIPTION	DATE	DWN	APVD
FT	0	-	SEE SHEET 1	-	-



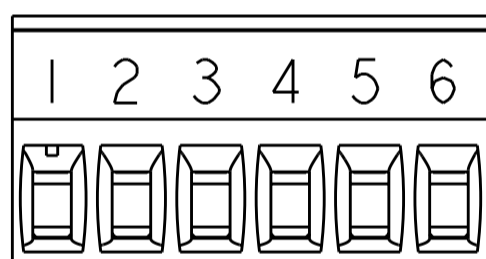
3-796693-4 AS SHOWN $\triangle 5$



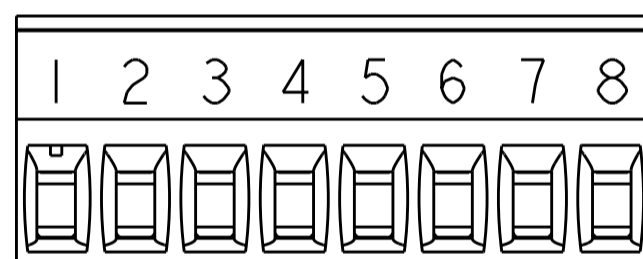
3-796693-9 AS SHOWN $\triangle 5$



3-796693-0 AS SHOWN $\triangle 5$



4-796693-0 AS SHOWN $\triangle 5$



4-796693-1 AS SHOWN $\triangle 5$

THIS DRAWING IS A CONTROLLED DOCUMENT.		DWN S. WELDON 27NOV2000	STE TE Connectivity	
DIMENSIONS: mm		CHK D. BIEVENOUR 27NOV2000		
TOLERANCES UNLESS OTHERWISE SPECIFIED:		APVD D. BIEVENOUR 27NOV2000	NAME TERMI BLOK, PLUG, STACKING 3.5 mm PITCH	
0 PLC ±-		PRODUCT SPEC 108-20166	SIZE A200779	CAGE CODE C-796693
1 PLC ±-		APPLICATION SPEC 114-20079	DRAWING NO -	
2 PLC ±-		WEIGHT -	RESTRICTED TO -	
3 PLC ±-		CUSTOMER DRAWING	SCALE 4:1	SHEET 2 OF 2
4 PLC ±-			REV B2	
ANGLES ±-				
FINISH				