



Chipsmall Limited consists of a professional team with an average of over 10 year of expertise in the distribution of electronic components. Based in Hongkong, we have already established firm and mutual-benefit business relationships with customers from,Europe,America and south Asia,supplying obsolete and hard-to-find components to meet their specific needs.

With the principle of “Quality Parts,Customers Priority,Honest Operation,and Considerate Service”,our business mainly focus on the distribution of electronic components. Line cards we deal with include Microchip,ALPS,ROHM,Xilinx,Pulse,ON,Everlight and Freescale. Main products comprise IC,Modules,Potentiometer,IC Socket,Relay,Connector.Our parts cover such applications as commercial,industrial, and automotives areas.

We are looking forward to setting up business relationship with you and hope to provide you with the best service and solution. Let us make a better world for our industry!



Contact us

Tel: +86-755-8981 8866 Fax: +86-755-8427 6832

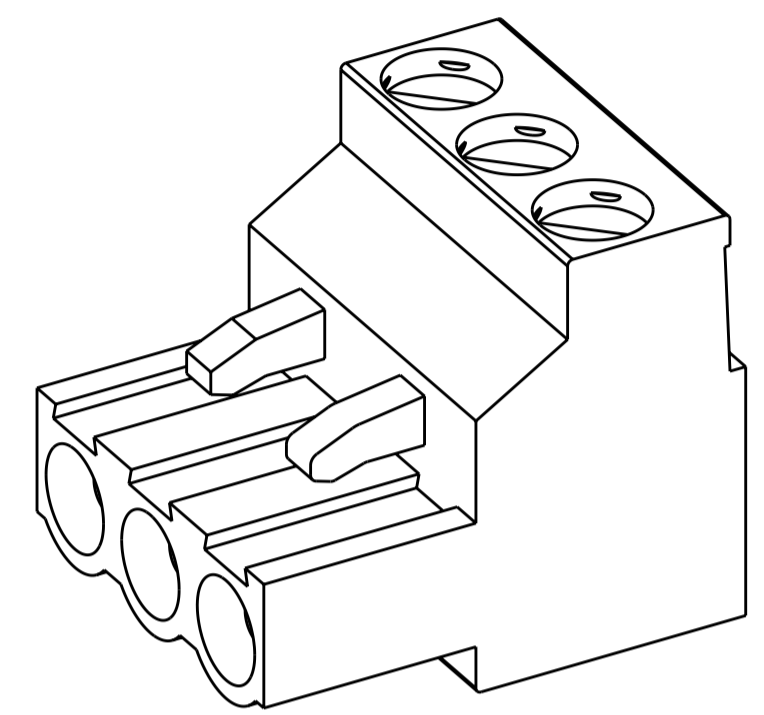
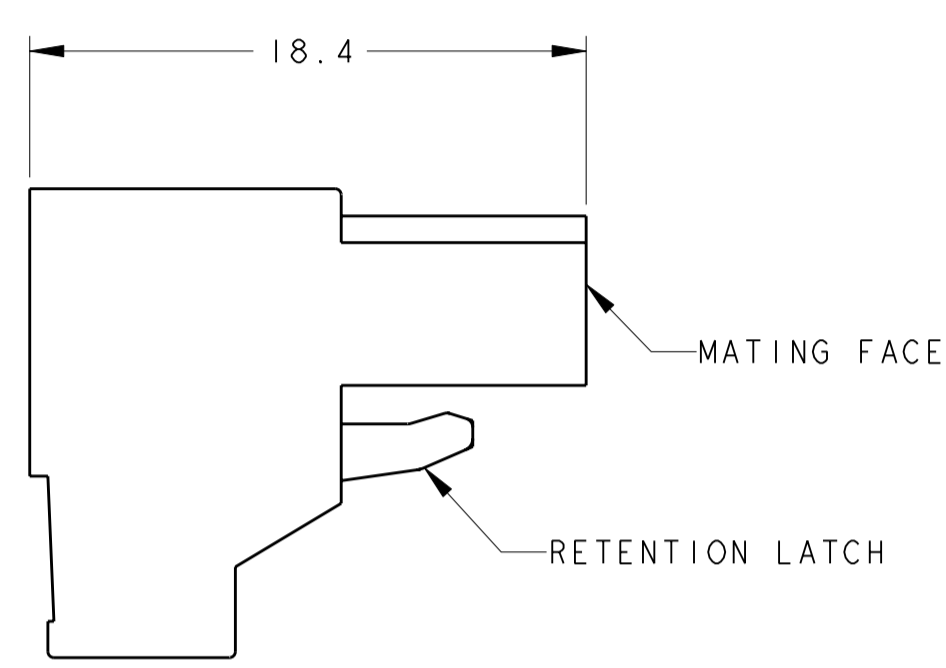
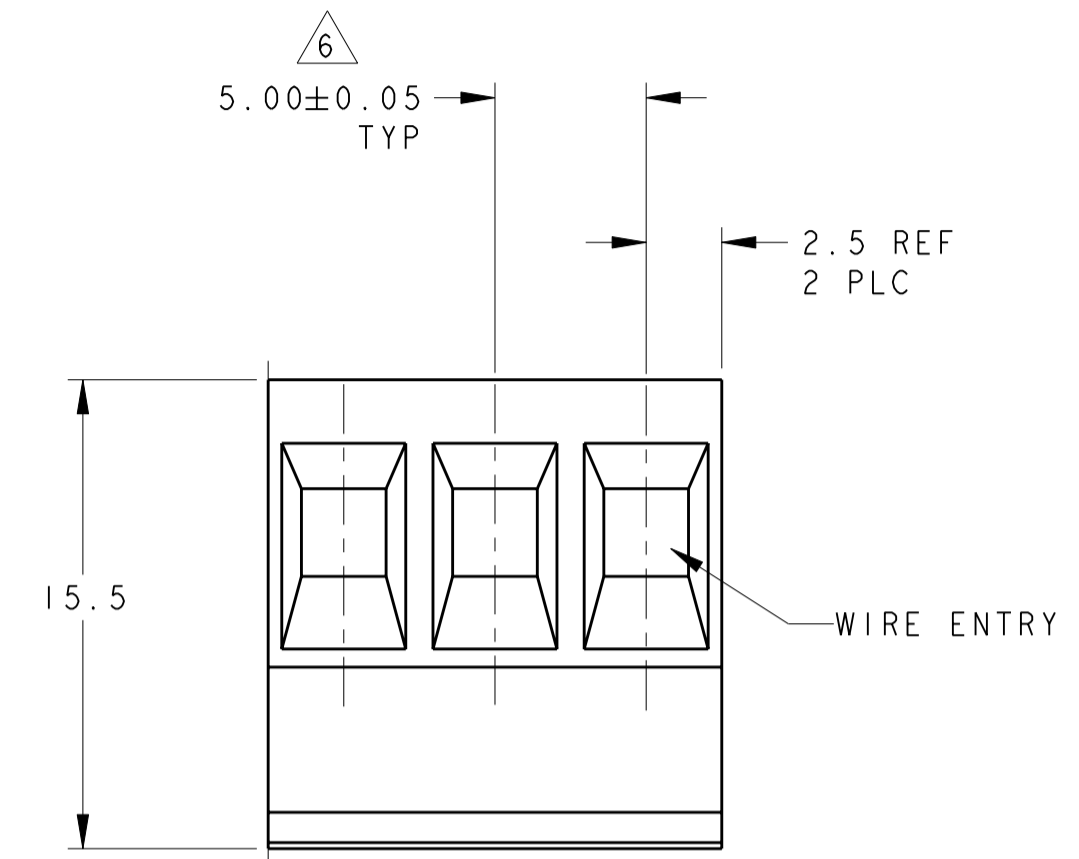
Email & Skype: info@chipsmall.com Web: www.chipsmall.com

Address: A1208, Overseas Decoration Building, #122 Zhenhua RD., Futian, Shenzhen, China

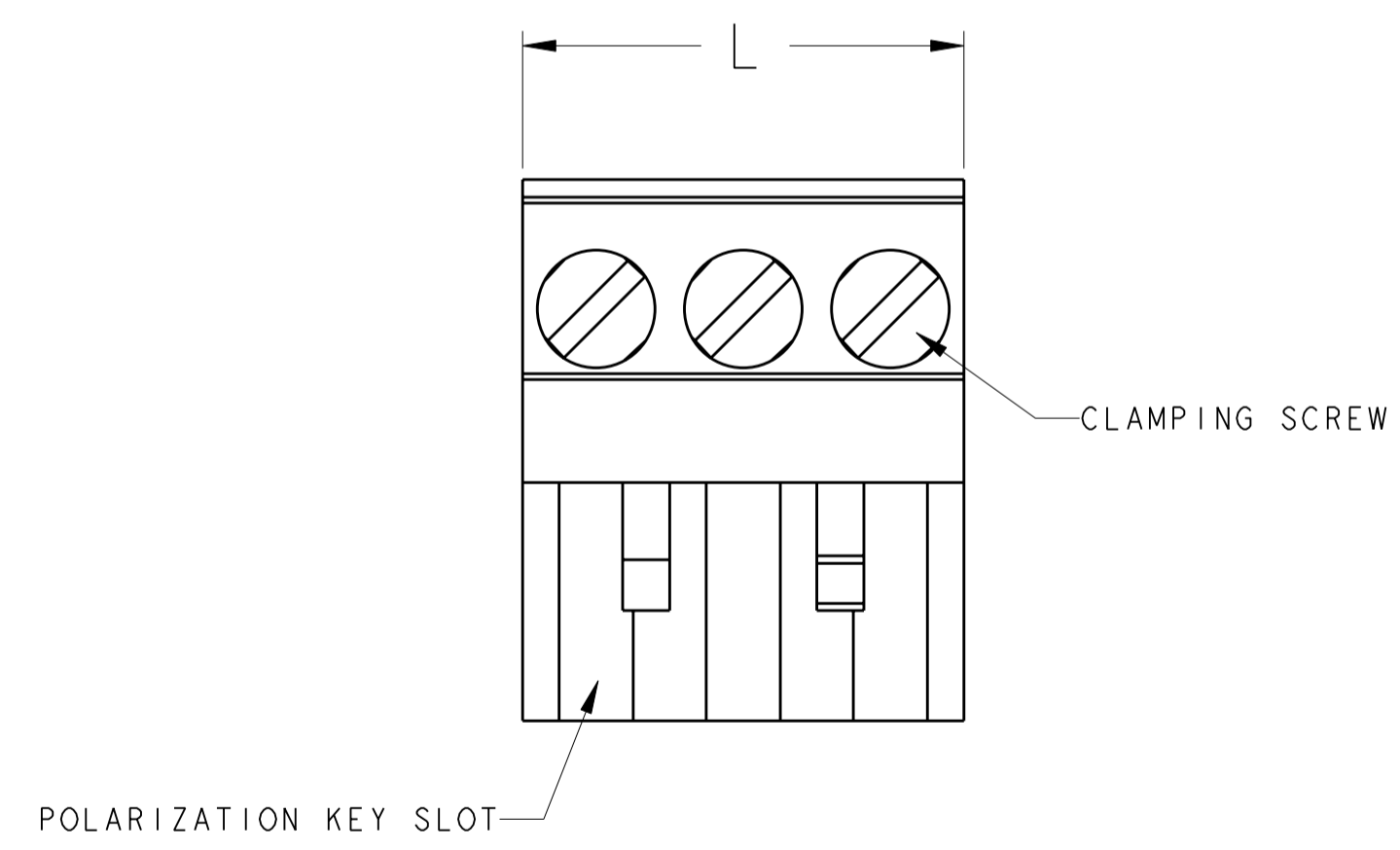


THIS DRAWING IS UNPUBLISHED. RELEASED FOR PUBLICATION 20
 © COPYRIGHT 20 BY ALL RIGHTS RESERVED.

LOC		DIST		REVISIONS			
P	LTR	DESCRIPTION	DATE	DWN	APVD		
	A2	REVISED PER ECO-11-005027	17MAR2011	RK	HMR		



796696-3 AS SHOWN



- 1 MATERIALS AND FINISH:
 HOUSING: PA 6-6, UL 94-V0, COLOR: BLUE.
 CLAMP: BRASS, NICKEL PLATED.
 DOUBLE SIDE CONTACT SPRING: PHOSPHOR BRONZE, TIN PLATED.
 CLAMPING SCREW: M3, BRASS, NICKEL PLATED.
2. END-TO-END STACKABLE WITHOUT LOSS OF CENTERLINE SPACING.
3. WIRE SIZE RANGE: 12-30 AWG.
4. RECOGNIZED UNDER THE COMPONENT PROGRAM OF UNDERWRITERS LABORATORIES INC. FILE N° E60677.
5. IMQ CERTIFICATE WITH SURVEILLANCE IN CONFORMITY WITH IEC 998-1/998-2-1.
- 6 NOT CUMULATIVE TOLERANCE

125.0	25	2-796696-5
120.0	24	2-796696-4
115.0	23	2-796696-3
110.0	22	2-796696-2
105.0	21	2-796696-1
100.0	20	2-796696-0
95.0	19	1-796696-9
90.0	18	1-796696-8
85.0	17	1-796696-7
80.0	16	1-796696-6
75.0	15	1-796696-5
70.0	14	1-796696-4
65.0	13	1-796696-3
60.0	12	1-796696-2
55.0	11	1-796696-1
50.0	10	1-796696-0
45.0	9	796696-9
40.0	8	796696-8
35.0	7	796696-7
30.0	6	796696-6
25.0	5	796696-5
20.0	4	796696-4
15.0	3	796696-3
10.0	2	796696-2
DIM L	NO OF POSN	PART NUMBER

THIS DRAWING IS A CONTROLLED DOCUMENT.		DWN S.WELDON 05FEB2001	TE Connectivity TERMINAL BLOCK, PLUG, STACKING, 5.00mm PITCH	
DIMENSIONS: mm		CHK D.BIEVENOUR 05FEB2001		
TOLERANCES UNLESS OTHERWISE SPECIFIED:		APVD D.BIEVENOUR 05FEB2001		
0 PLC ± 1 PLC ±0.2 2 PLC ± 3 PLC ± 4 PLC ± ANGLES ± FINISH		PRODUCT SPEC -		
MATERIAL		APPLICATION SPEC -	SIZE A2	CAGE CODE 00779
		WEIGHT -	DRAWING NO C-796696	RESTRICTED TO -
CUSTOMER DRAWING			SCALE 4:1	SHEET 1 OF 1 REV A2