



Chipsmall Limited consists of a professional team with an average of over 10 year of expertise in the distribution of electronic components. Based in Hongkong, we have already established firm and mutual-benefit business relationships with customers from,Europe,America and south Asia,supplying obsolete and hard-to-find components to meet their specific needs.

With the principle of “Quality Parts,Customers Priority,Honest Operation,and Considerate Service”,our business mainly focus on the distribution of electronic components. Line cards we deal with include Microchip,ALPS,ROHM,Xilinx,Pulse,ON,Everlight and Freescale. Main products comprise IC,Modules,Potentiometer,IC Socket,Relay,Connector.Our parts cover such applications as commercial,industrial, and automotives areas.

We are looking forward to setting up business relationship with you and hope to provide you with the best service and solution. Let us make a better world for our industry!



Contact us

Tel: +86-755-8981 8866 Fax: +86-755-8427 6832

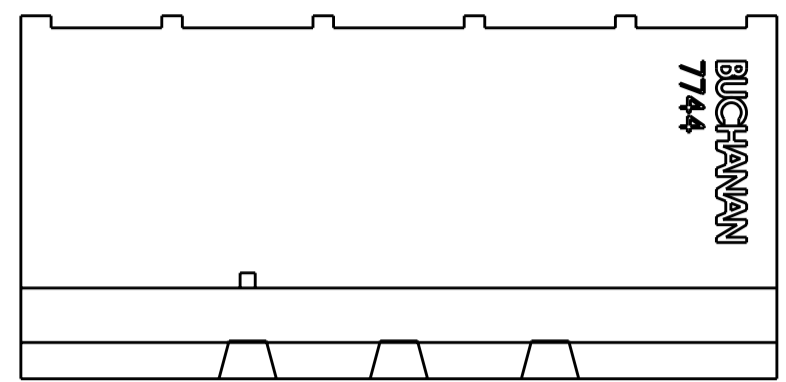
Email & Skype: info@chipsmall.com Web: www.chipsmall.com

Address: A1208, Overseas Decoration Building, #122 Zhenhua RD., Futian, Shenzhen, China

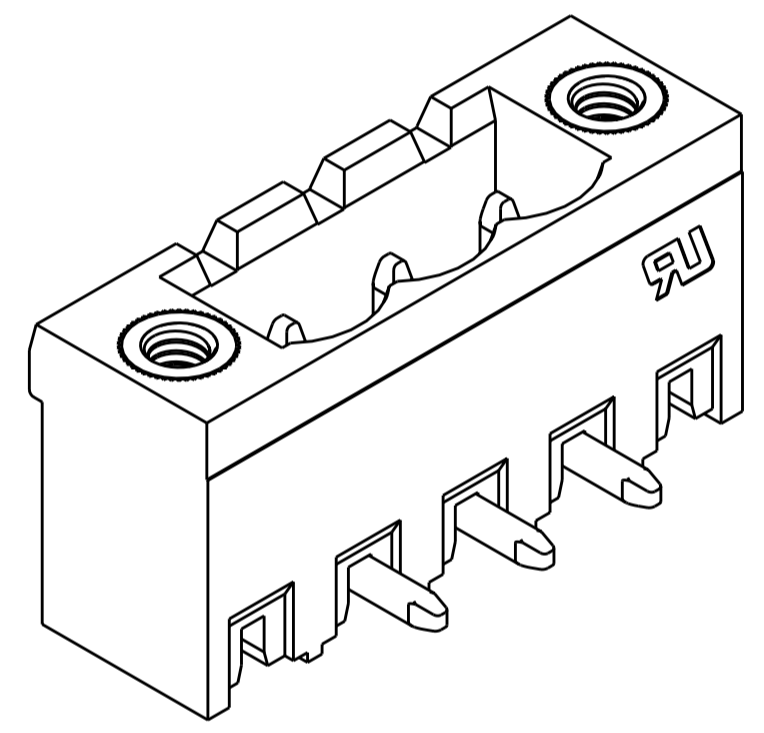
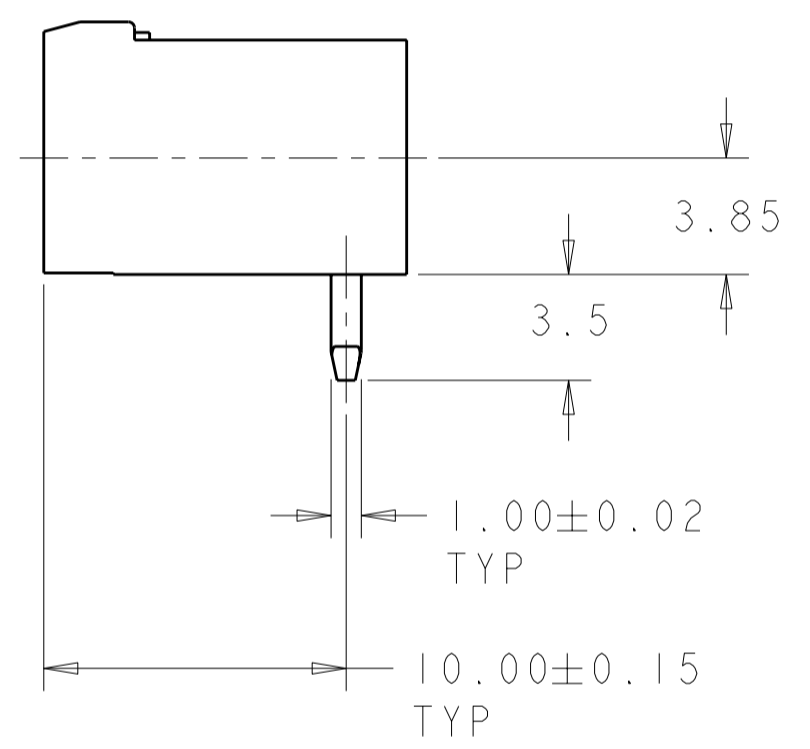
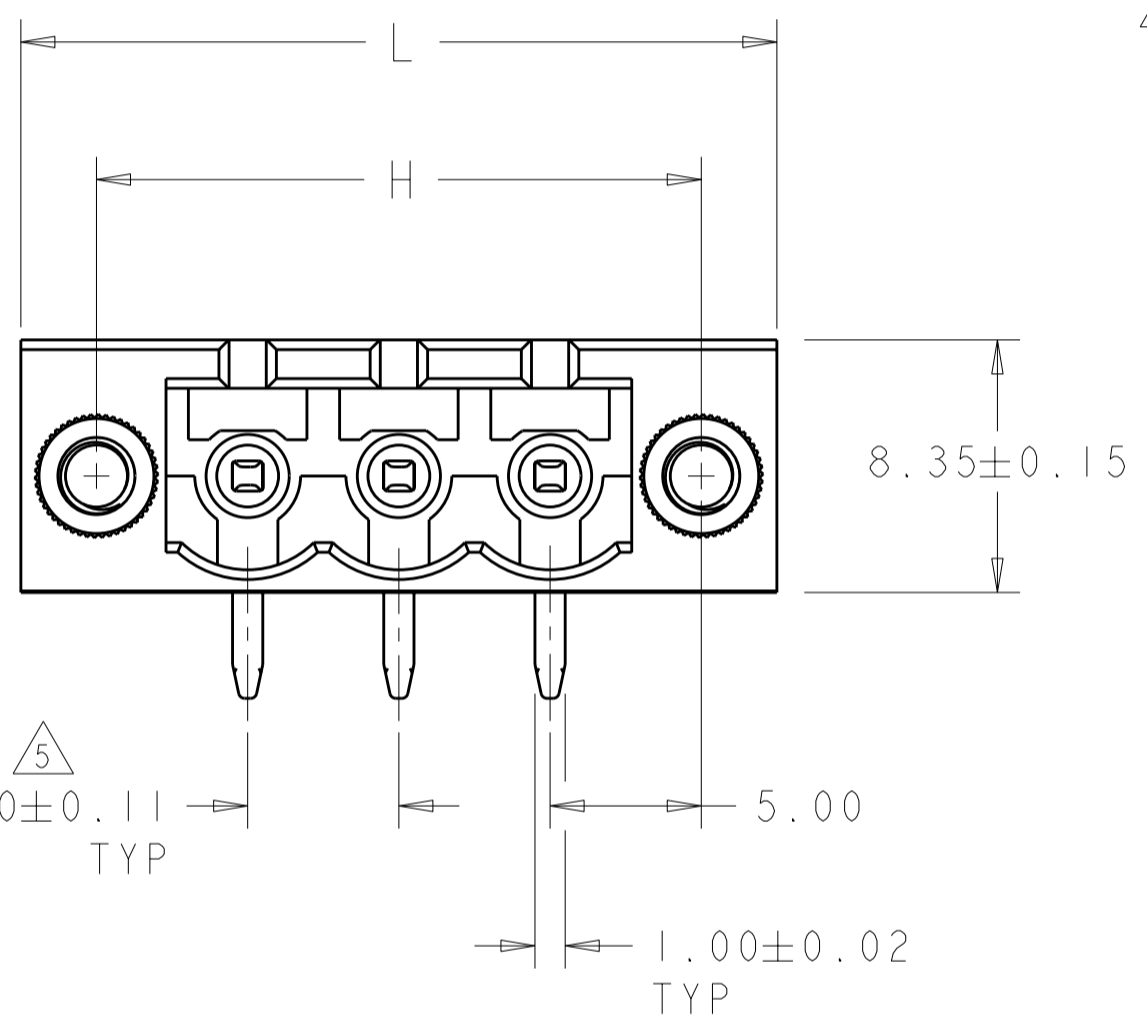


THIS DRAWING IS UNPUBLISHED. RELEASED FOR PUBLICATION 20
 © COPYRIGHT 20 BY TYCO ELECTRONICS CORPORATION. ALL RIGHTS RESERVED.

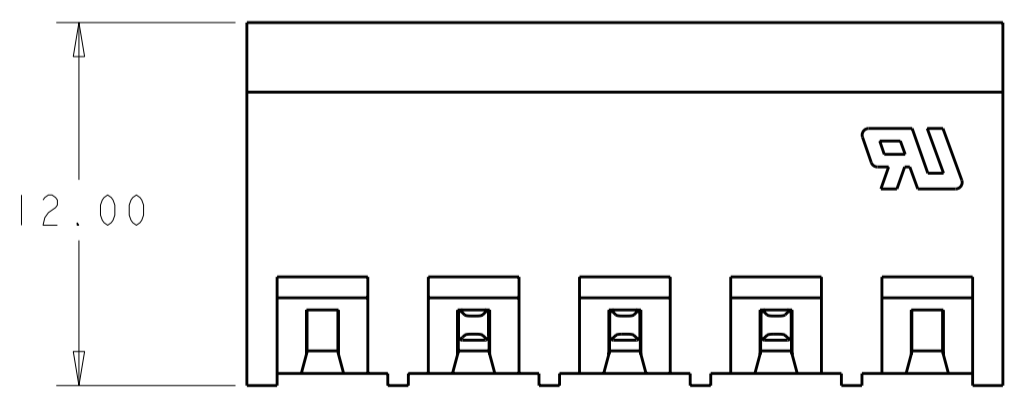
LOC		DIST		REVISIONS			
P	LTR	DESCRIPTION	DATE	DWN	APVD		
	D	REVISED PER ECO-08-003243	06FEB2008	SS	CR		



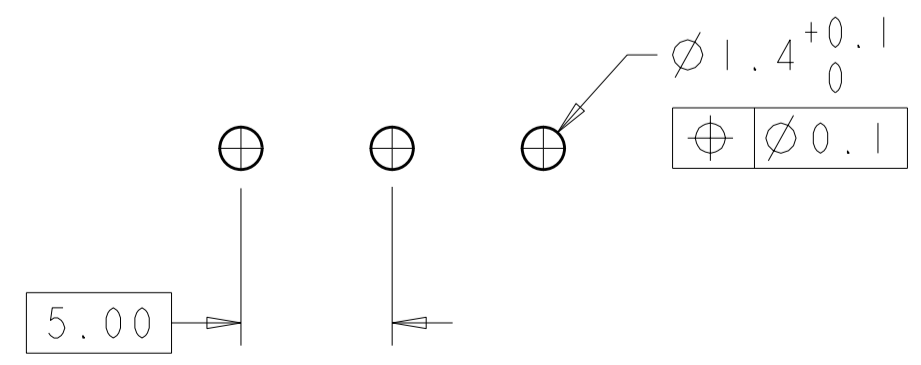
- 1. MATERIALS AND FINISH:
 HOUSING: PA 6-6, UL 94-V0, COLOR: GREEN.
 TERMINAL: PHOSPHOR BRONZE, TIN PLATED.
- 2. SUITABLE FOR 1,6-2, 4mm PC BOARD THICKNESS.
- 3. RECOGNIZED UNDER THE COMPONENT PROGRAM OF UNDERWRITERS LABORATORIES INC. FILE No. E60677.
- 4. IMQ CERTIFICATE WITH SURVEILLANCE ON CONFORMITY WITH IEC 998-1/998-2-1.
- 5. NOT CUMULATIVE TOLERANCE.
- 6. LOGO SIZE AND LOCATION APPROXIMATELY AS SHOWN.



796864-3 AS SHOWN



50.0	45.0	8	796864-8
45.0	40.0	7	796864-7
40.0	35.0	6	796864-6
35.0	30.0	5	796864-5
30.0	25.0	4	796864-4
25.0	20.0	3	796864-3
20.0	15.0	2	796864-2
L	H	NO. OF POSN	PART NUMBER



RECOMMENDED PC BOARD LAYOUT

THIS DRAWING IS A CONTROLLED DOCUMENT FOR TYCO ELECTRONICS CORPORATION. IT IS SUBJECT TO CHANGE AND THE CONTROLLING ENGINEERING ORGANIZATION SHOULD BE CONTACTED FOR THE LATEST REVISION.		DWN S. WELDON 09FEB2001	Tyco Electronics Harrisburg, PA 17105-3608	
DIMENSIONS: mm		CHK D. BIEVENOUR 09FEB2001	NAME TERMINAL BLOCK HEADER ASSEMBLY, 90 DEGREE, WITH FLANGE, 5.00mm PITCH	
TOLERANCES UNLESS OTHERWISE SPECIFIED: 0 PLC ± 1 PLC ±0.2 2 PLC ±0.25 3 PLC ±0.000 4 PLC ±0.0000 ANGLES ± FINISH		APVD D. BIEVENOUR 09FEB2001	PRODUCT SPEC -	RESTRICTED TO -
MATERIAL		APPLICATION SPEC -	WEIGHT -	SIZE A2
CUSTOMER DRAWING		SCALE 4:1	CAGE CODE 00779	DRAWING NO. 796864
		SHEET 1 OF 1		REV D