



Chipsmall Limited consists of a professional team with an average of over 10 year of expertise in the distribution of electronic components. Based in Hongkong, we have already established firm and mutual-benefit business relationships with customers from,Europe,America and south Asia,supplying obsolete and hard-to-find components to meet their specific needs.

With the principle of “Quality Parts,Customers Priority,Honest Operation,and Considerate Service”,our business mainly focus on the distribution of electronic components. Line cards we deal with include Microchip,ALPS,ROHM,Xilinx,Pulse,ON,Everlight and Freescale. Main products comprise IC,Modules,Potentiometer,IC Socket,Relay,Connector.Our parts cover such applications as commercial,industrial, and automotives areas.

We are looking forward to setting up business relationship with you and hope to provide you with the best service and solution. Let us make a better world for our industry!



## Contact us

Tel: +86-755-8981 8866 Fax: +86-755-8427 6832

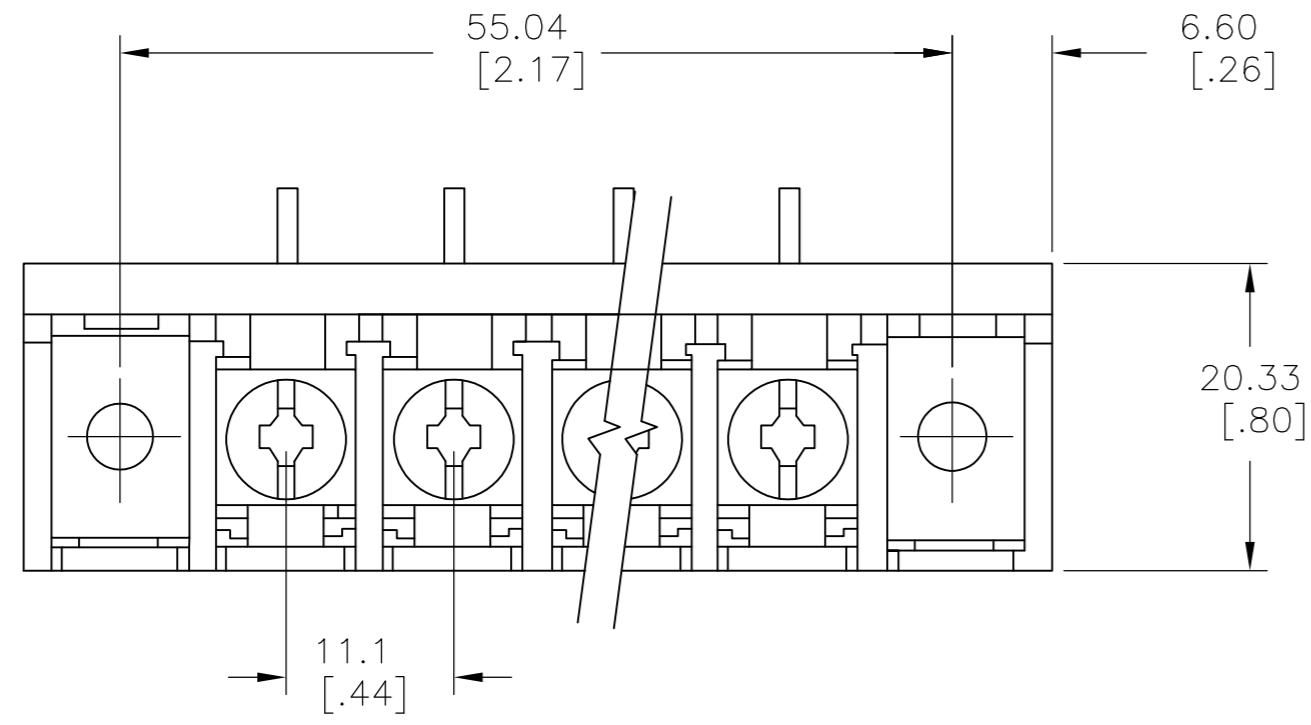
Email & Skype: info@chipsmall.com Web: www.chipsmall.com

Address: A1208, Overseas Decoration Building, #122 Zhenhua RD., Futian, Shenzhen, China

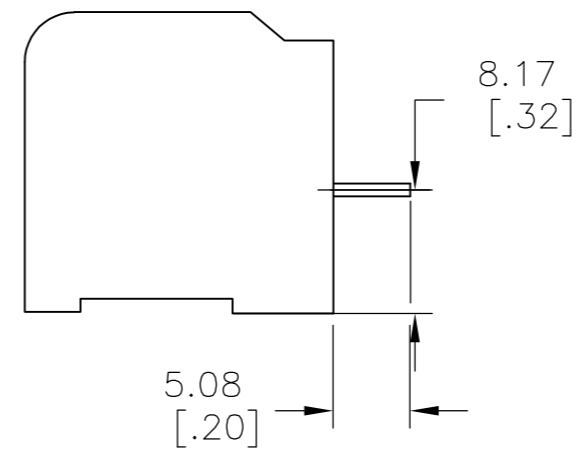
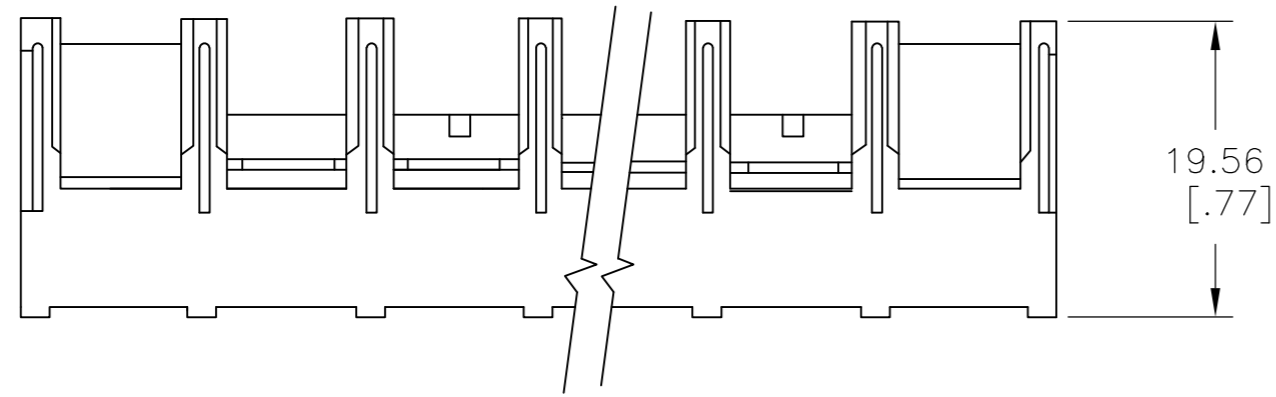


THIS DRAWING IS UNPUBLISHED. RELEASED FOR PUBLICATION  
 © COPYRIGHT - By - ALL RIGHTS RESERVED.

LOC		DIST		REVISIONS			
P	LTR	DESCRIPTION		DATE	DWN	APVD	
	A2	REVISED PER ECO-11-020526		12OCT11	KH	MS	



1 ALL SCREWS TO BE BOTTOMED; TORQUED TO 2 TO 4 INCH LBS



3.573	6	8PCR-06-008	3-1437657-9
2.698	4	8PCR-04-008	3-1437657-2
1.823	2	8PCR-02-008	796875-2
DIM A REF	NO OF POS	CATALOG NUMBER	TE PART NO

THIS DRAWING IS A CONTROLLED DOCUMENT.		DWN RAGHAVENDRA 04SEP2008	<b>TE</b> TE Connectivity	
DIMENSIONS: mm [INCHES]		CHK SAM MACE 04SEP2008		
TOLERANCES UNLESS OTHERWISE SPECIFIED:		APVD SAM MACE 04SEP2008	NAME 8PCR-XX-008=8 TRIBARRIER-BL	
0 PLC ± -		PRODUCT SPEC -	SIZE A2	CAGE CODE 00779
1 PLC ± -		APPLICATION SPEC -	DRAWING NO C=3-1437657-2	
2 PLC ± -		WEIGHT -	RESTRICTED TO -	
3 PLC ± 0.13[.005]		CUSTOMER DRAWING	SCALE 2:1	SHEET 1 of 1
4 PLC ± -			REV A2	
ANGLES ± 1°				
FINISH -				