



Chipsmall Limited consists of a professional team with an average of over 10 year of expertise in the distribution of electronic components. Based in Hongkong, we have already established firm and mutual-benefit business relationships with customers from,Europe,America and south Asia,supplying obsolete and hard-to-find components to meet their specific needs.

With the principle of “Quality Parts,Customers Priority,Honest Operation,and Considerate Service”,our business mainly focus on the distribution of electronic components. Line cards we deal with include Microchip,ALPS,ROHM,Xilinx,Pulse,ON,Everlight and Freescale. Main products comprise IC,Modules,Potentiometer,IC Socket,Relay,Connector.Our parts cover such applications as commercial,industrial, and automotives areas.

We are looking forward to setting up business relationship with you and hope to provide you with the best service and solution. Let us make a better world for our industry!



## Contact us

Tel: +86-755-8981 8866 Fax: +86-755-8427 6832

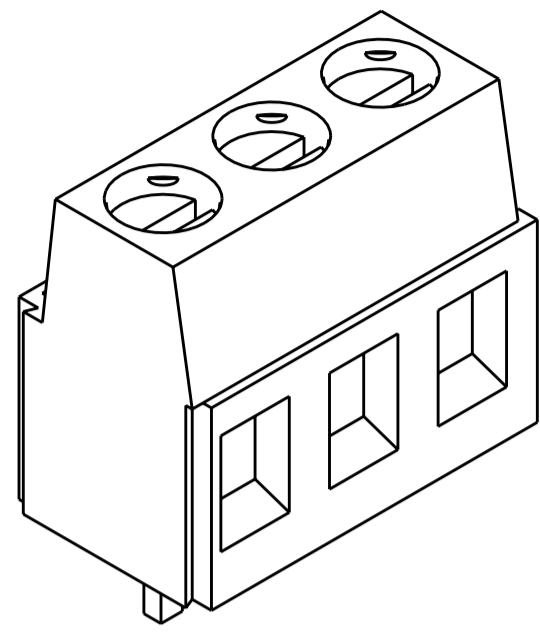
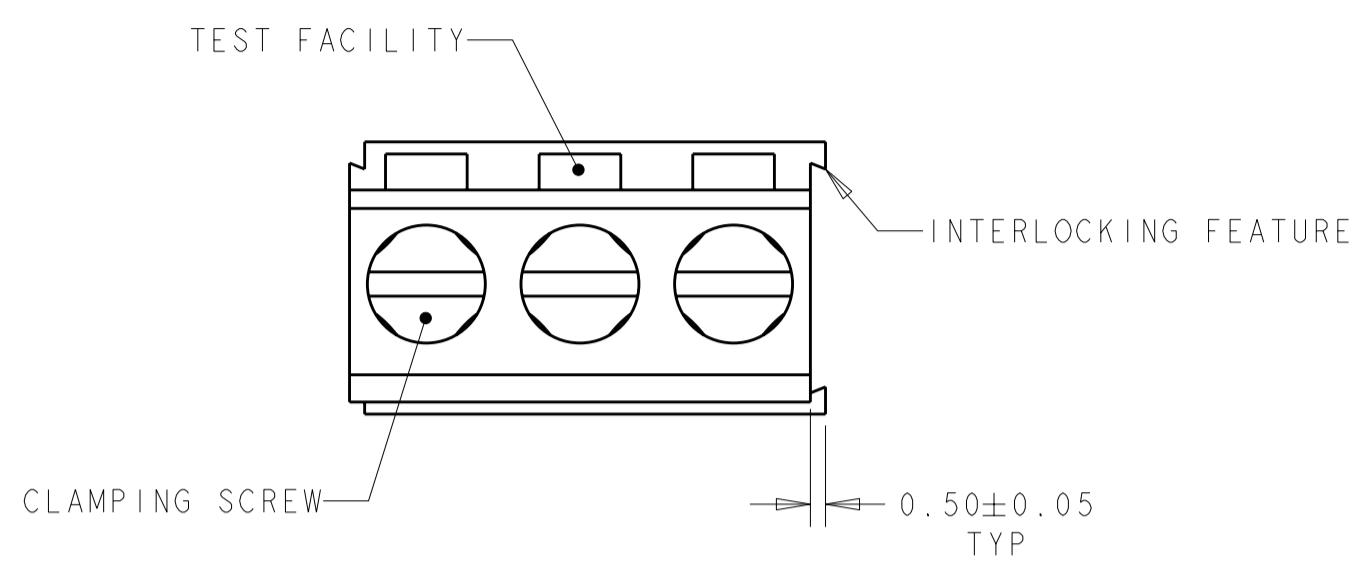
Email & Skype: info@chipsmall.com Web: www.chipsmall.com

Address: A1208, Overseas Decoration Building, #122 Zhenhua RD., Futian, Shenzhen, China



THIS DRAWING IS UNPUBLISHED. RELEASED FOR PUBLICATION 20  
 © COPYRIGHT 20 BY TYCO ELECTRONICS CORPORATION. ALL RIGHTS RESERVED.

LOC		DIST		REVISIONS			
P	LTR	DESCRIPTION	DATE	DWN	APVD		
	B2	REVISED PER ECO-09-011794	15MAY2009	HMR	CR		



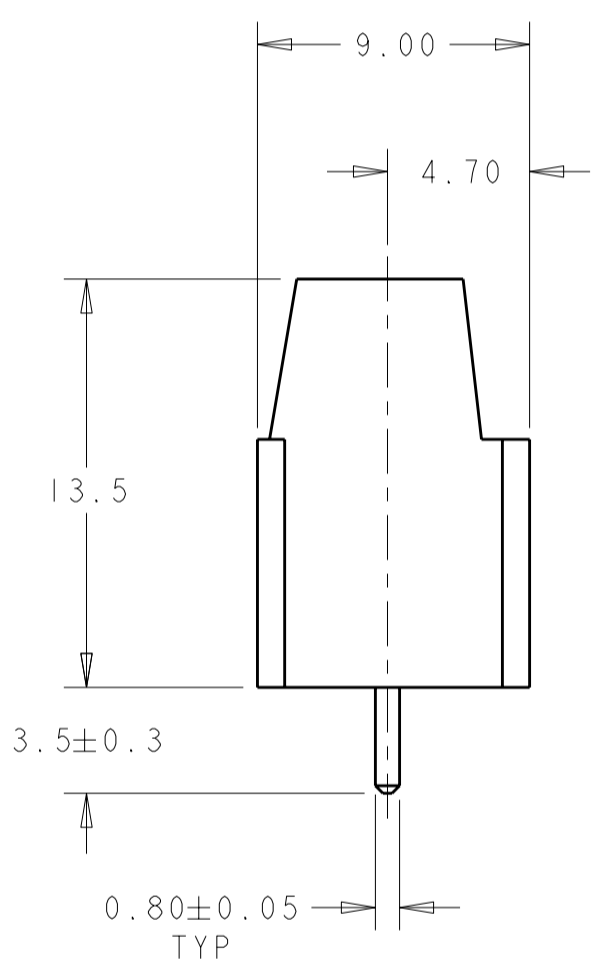
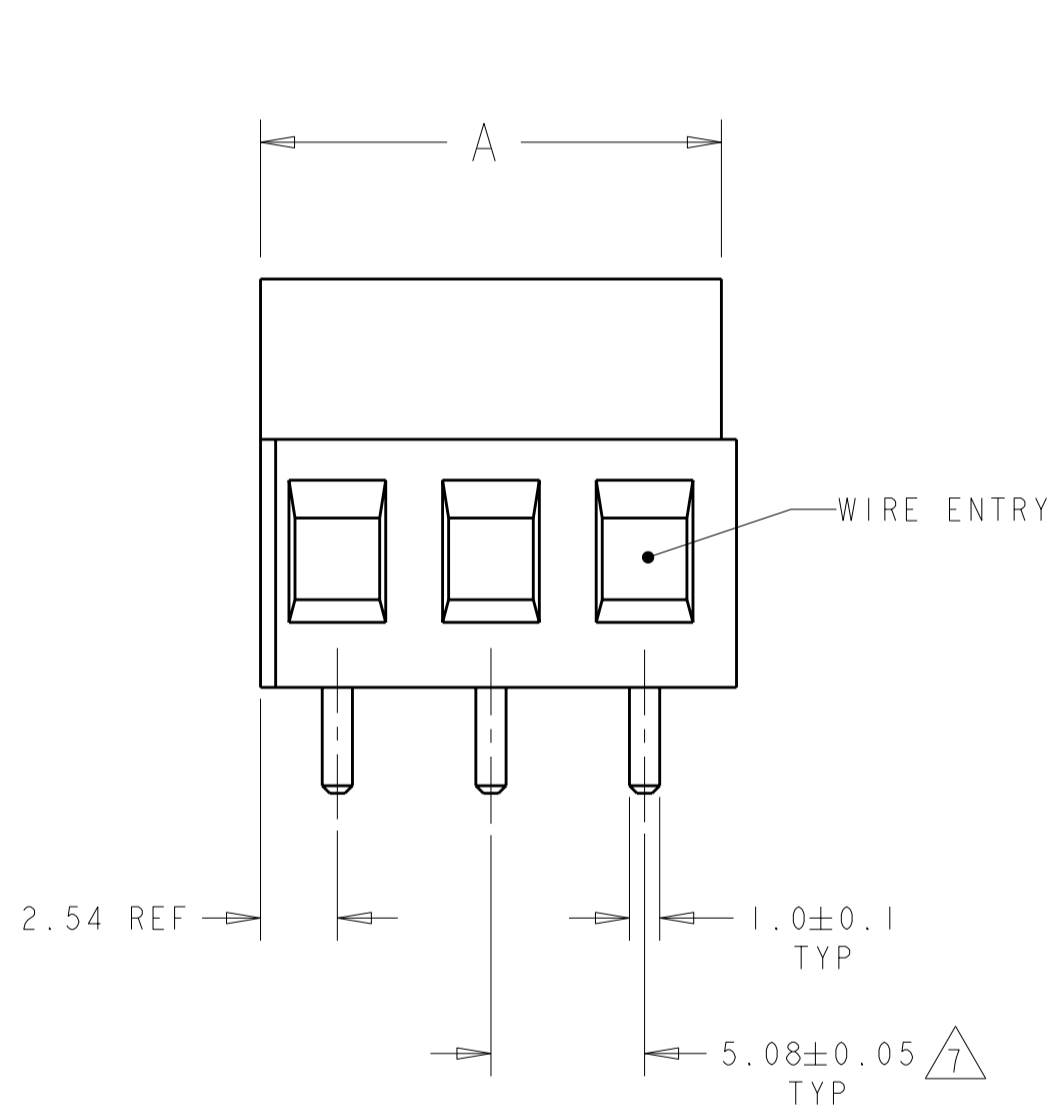
796911-3 AS SHOWN

- 1 MATERIALS AND FINISH:  
 HOUSING: PA 6-6, UL 94-V0, COLOR: GREEN.  
 CLAMP: BRASS, NICKEL PLATED.  
 TERMINAL: BRASS, TIN PLATED.  
 CLAMPING SCREW: M3, BRASS, NICKEL PLATED.
- 2. SUITABLE FOR 1,6-2,4mm. PCB THICKNESS.
- 3. END-TO-END STACKABLE W/INTERLOCK WITHOUT LOSS OF CENTERLINE SPACING.
- 4. WIRE SIZE RANGE: 12-30 AWG.
- 5. RECOGNIZED UNDER THE COMPONENT PROGRAM OF UNDERWRITERS LABORATORIES INC. FILE No E60677.
- 6. IMQ CERTIFICATE WITH SURVEILLANCE IN CONFORMITY WITH IEC 998-1/998-2-1.

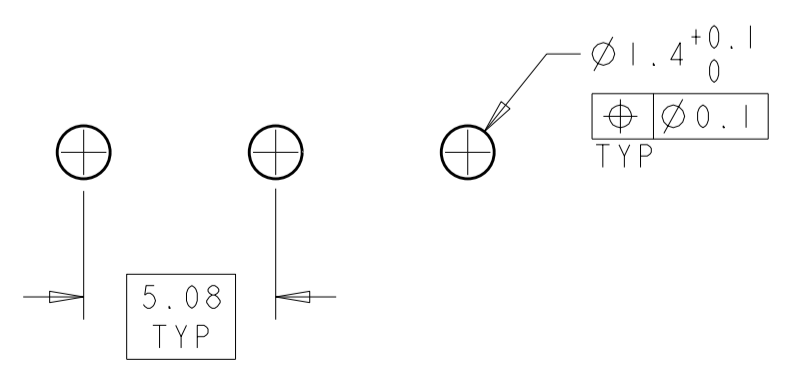
- 7 NOT CUMULATIVE TOLERANCE.
- 8 PARTS MARKED WITH WHITE PERMANENT INK

- 9/8 PRILIMINARY P/N
- 9/8 PRILIMINARY P/N

DETAIL	QTY	POSN	PART NUMBER
DETAIL F	243.84	48	4-1986552-8
DETAIL E	162.56	32	3-1986552-2
DETAIL D	60.96	12	2-796911-8
DETAIL C	15.24	3	2-796911-7
DETAIL B	10.16	2	2-796911-6
	127.00	25	2-796911-5
	121.92	24	2-796911-4
	116.84	23	2-796911-3
	111.76	22	2-796911-2
	106.68	21	2-796911-1
	101.60	20	2-796911-0
	96.52	19	1-796911-9
	91.44	18	1-796911-8
	86.36	17	1-796911-7
	81.28	16	1-796911-6
	76.20	15	1-796911-5
	71.12	14	1-796911-4
	66.04	13	1-796911-3
	60.96	12	1-796911-2
	55.88	11	1-796911-1
	50.80	10	1-796911-0
	45.72	9	796911-9
	40.64	8	796911-8
	35.56	7	796911-7
	30.48	6	796911-6
	25.40	5	796911-5
	20.32	4	796911-4
	15.24	3	796911-3
	10.16	2	796911-2
A	POSN	PART NUMBER	



- 9 PARTS PACKAGED IN TUBES



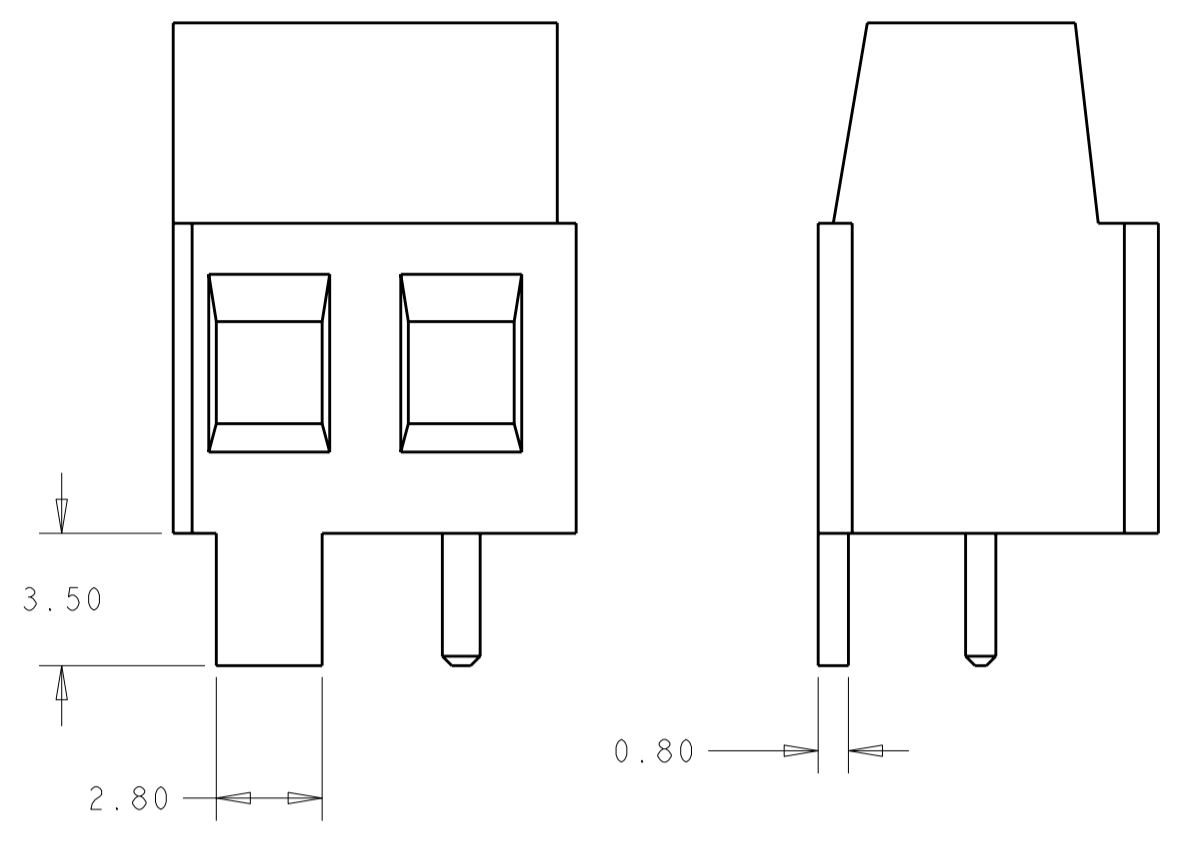
RECOMMENDED PC BOARD LAYOUT  
 SCALE 5:1

THIS DRAWING IS A CONTROLLED DOCUMENT FOR TYCO ELECTRONICS CORPORATION. IT IS SUBJECT TO CHANGE AND THE CONTROLLING ENGINEERING ORGANIZATION SHOULD BE CONTACTED FOR THE LATEST REVISION.		DWN S. WELDON 13FEB2003	Tyco Electronics Harrisburg, PA 17105-3608	
DIMENSIONS: mm		CHK C. RICHARD 13FEB2003	NAME TERMINAL BLOCK, PCB MOUNT, STACKABLE W/ INTERLOCK, SIDE WIRE	
TOLERANCES UNLESS OTHERWISE SPECIFIED: 0 PLC ±0 1 PLC ±.2 2 PLC ±.25 3 PLC ±0 4 PLC ±0		APVD C. RICHARD 13FEB2003	SIZE A200779	
MATERIAL		PRODUCT SPEC -	DRAWING NO 796911	
FINISH		APPLICATION SPEC -	RESTRICTED TO -	
CUSTOMER DRAWING		WEIGHT -	SCALE 5:1 SHEET 1 OF 2 REV B2	

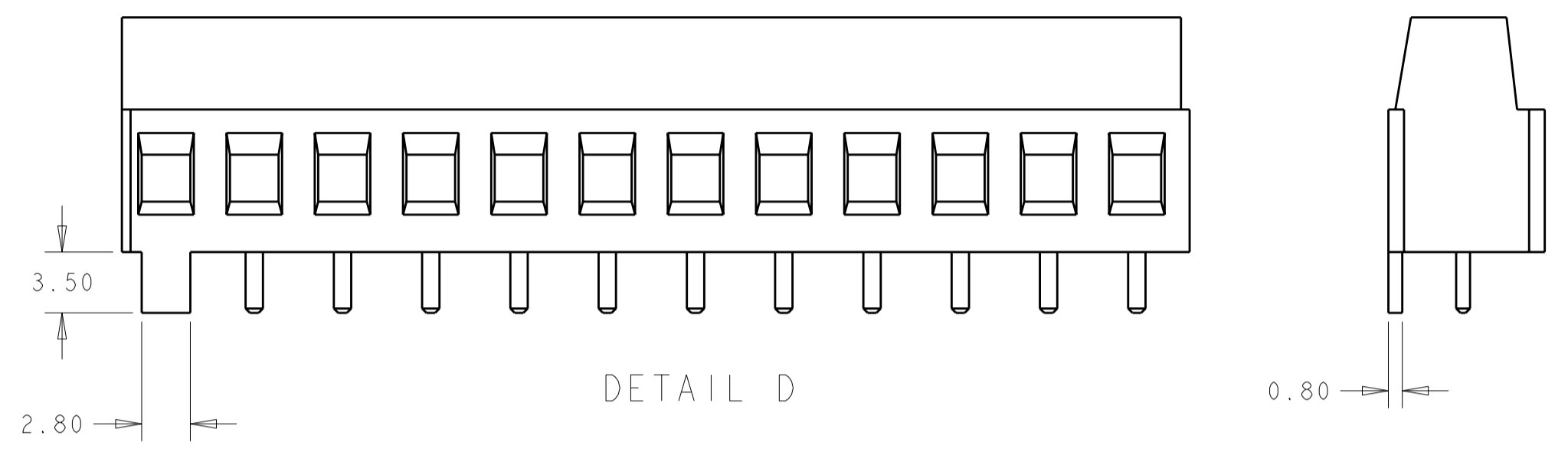
THIS DRAWING IS UNPUBLISHED. RELEASED FOR PUBLICATION 20  
 © COPYRIGHT 20 BY TYCO ELECTRONICS CORPORATION. ALL RIGHTS RESERVED.

LOC		DIST		REVISIONS			
P	LTR	DESCRIPTION	DATE	DWN	APVD		
		SEE SHEET 1					

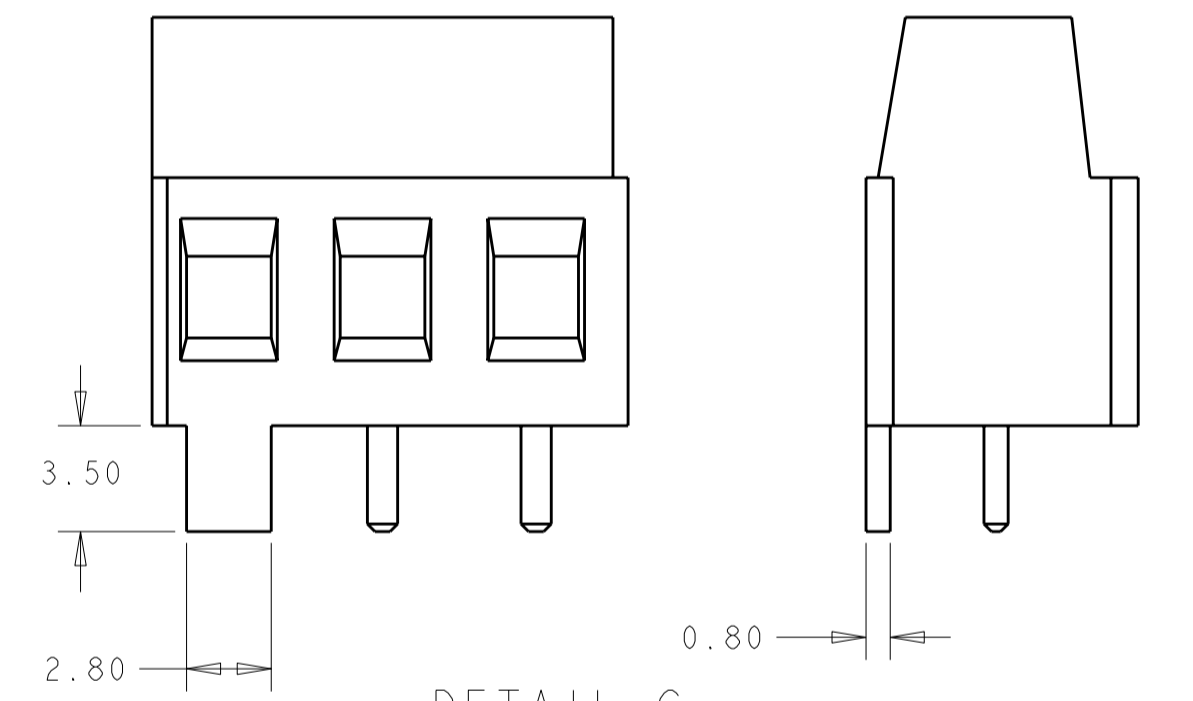
DETAIL B



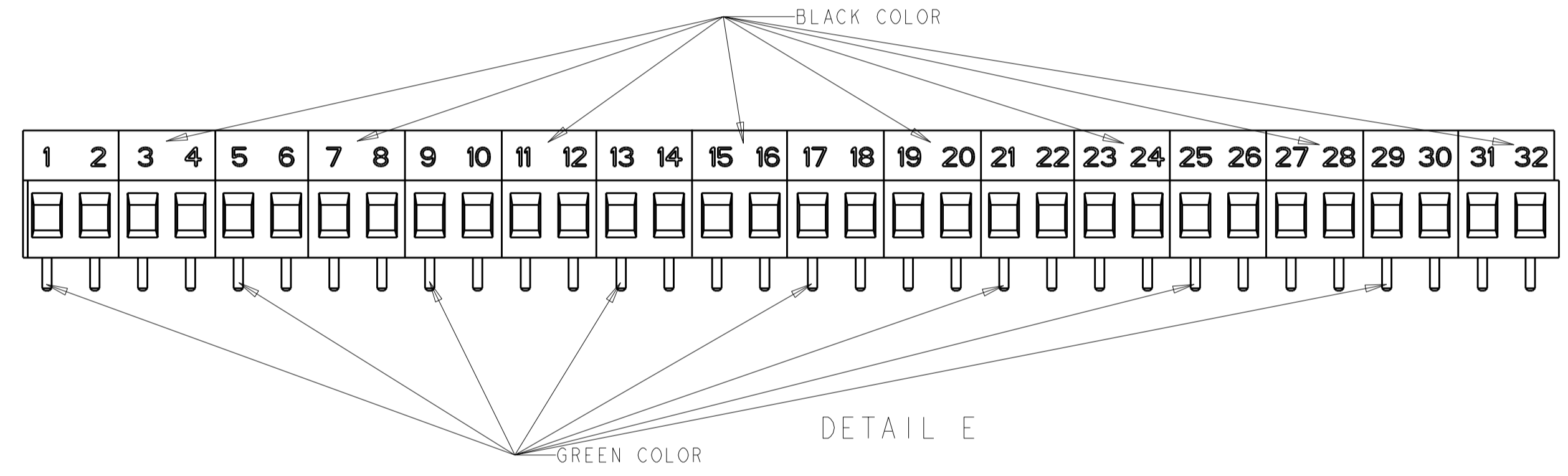
DETAIL D



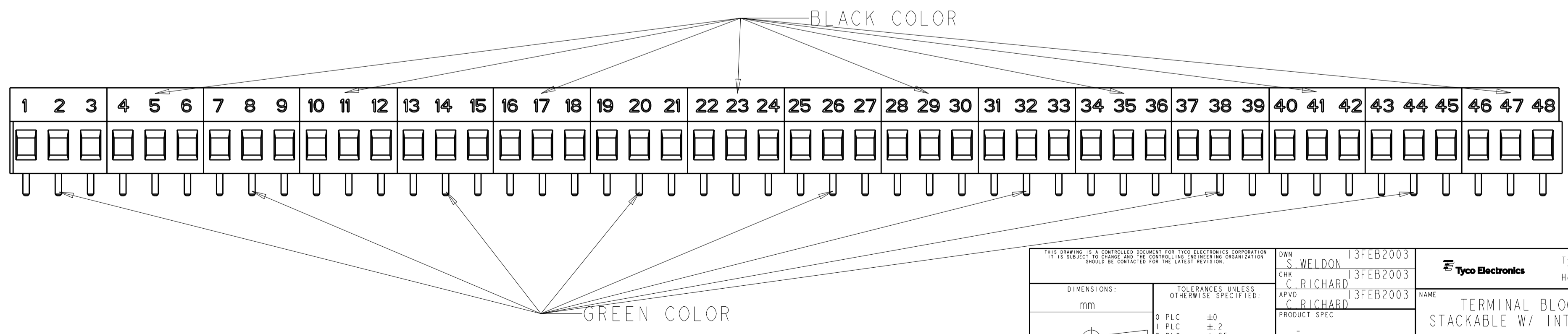
DETAIL C



DETAIL E



DETAIL F



<small>THIS DRAWING IS A CONTROLLED DOCUMENT FOR TYCO ELECTRONICS CORPORATION. IT IS SUBJECT TO CHANGE AND THE CONTROLLING ENGINEERING ORGANIZATION SHOULD BE CONTACTED FOR THE LATEST REVISION.</small>		DWN S. WELDON 13FEB2003 CHK C. RICHARD 13FEB2003 APVD C. RICHARD 13FEB2003	Tyco Electronics Harrisburg, PA 17105-3608
DIMENSIONS: mm 	TOLERANCES UNLESS OTHERWISE SPECIFIED: 0 PLC ±0 1 PLC ±.2 2 PLC ±.25 3 PLC ±0 4 PLC ±0 ANGLES ±2° FINISH	PRODUCT SPEC APPLICATION SPEC WEIGHT CUSTOMER DRAWING	NAME <b>TERMINAL BLOCK, PCB MOUNT, STACKABLE W/ INTERLOCK, SIDE WIRE</b>
MATERIAL		SIZE A200779	CAGE CODE C-796911
		DRAWING NO SCALE 5:1	RESTRICTED TO SHEET 2 OF 2 REV B2