



Chipsmall Limited consists of a professional team with an average of over 10 year of expertise in the distribution of electronic components. Based in Hongkong, we have already established firm and mutual-benefit business relationships with customers from,Europe,America and south Asia,supplying obsolete and hard-to-find components to meet their specific needs.

With the principle of "Quality Parts,Customers Priority,Honest Operation,and Considerate Service",our business mainly focus on the distribution of electronic components. Line cards we deal with include Microchip,ALPS,ROHM,Xilinx,Pulse,ON,Everlight and Freescale. Main products comprise IC,Modules,Potentiometer,IC Socket,Relay,Connector.Our parts cover such applications as commercial,industrial, and automotives areas.

We are looking forward to setting up business relationship with you and hope to provide you with the best service and solution. Let us make a better world for our industry!



## Contact us

Tel: +86-755-8981 8866 Fax: +86-755-8427 6832

Email & Skype: info@chipsmall.com Web: www.chipsmall.com

Address: A1208, Overseas Decoration Building, #122 Zhenhua RD., Futian, Shenzhen, China



## Temperature probes Thermocouple / Pt100 Part number 79696037



- Thermocouple J :
  - Nickel-plated brass eyelet
  - Stainless steel casing
  - Stainless steel sheath
- Thermocouple K
  - Stainless steel sheath
  - Aluminium vee
- Pt 100 Class B :
  - Stainless steel sheath
  - Aluminium vee
- Connection / Sub-base / Flange
- Pt100 for use with XA03 and XA04 extension
- Thermocouple for use with temperature converter

### Part numbers

	Type	Description	Temperature	Characteristics
79696037	Thermocouple / Pt100	Pt100 probe Class B	max : 200 °C	Pt100 probe Class B - Aluminium vee : 50 mm long - Silicom teflon cable : 2 m long - 3-wire assembly - Supplied with fixing clamp

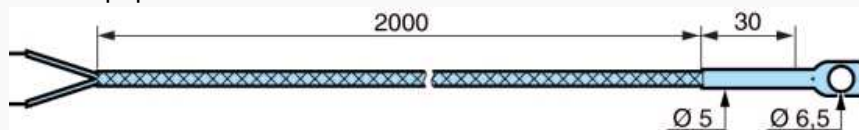
### Specifications

### Accessories

Accessories	Characteristics	Code
Connection	Sliding connection 1/4 " BSP CYL. St. steel 316 L Ø 3 mm	79696038
Sliding connection 1/4 " BSP CYL. St. steel 316 L Ø 6 mm	79696039	
Sliding connection 1/2 " BSP CYL. St. steel 316 L Ø 6 mm	79696040	
Sub-base	Sliding connection 1/4 " BSP CYL Ø 12 mm Nickel-plated steel	79696041
Flange	Inox flange Ø 6 mm	79696042

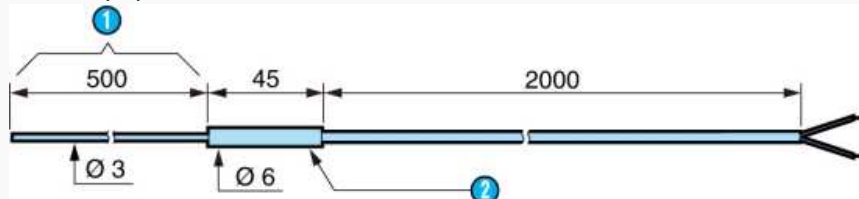
### Dimensions (mm)

Thermocouple probe J : 79696030



### Dimensions (mm)

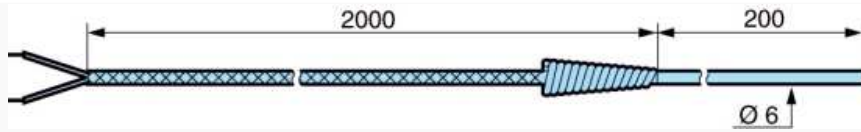
Thermocouple probe J : 79696031



N°	Legend
①	Flexible
②	Stainless steel sleeve

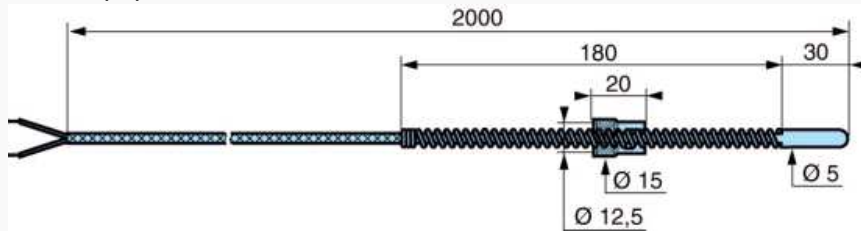
### Dimensions (mm)

Thermocouple probe J : 79696032



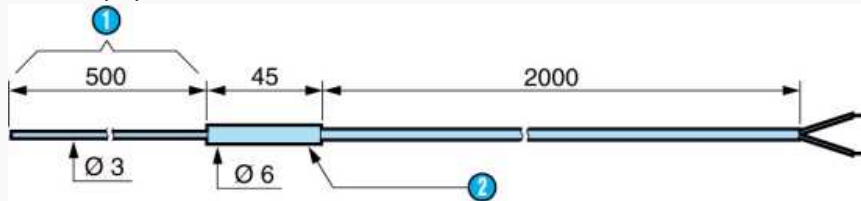
**Dimensions (mm)**

Thermocouple probe J : 79696033



**Dimensions (mm)**

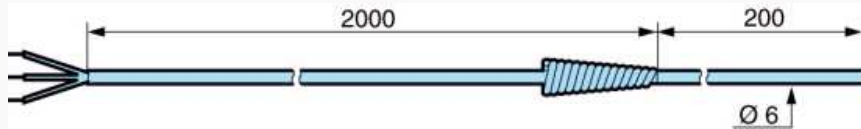
Thermocouple probe K : 79696034



N°	Legend
①	Flexible
②	Stainless steel sleeve

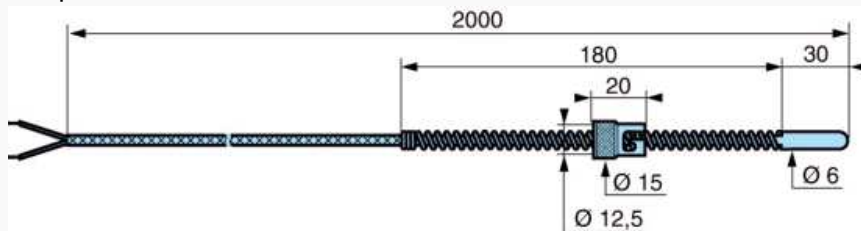
**Dimensions (mm)**

Pt100 probe Class B : 79696035



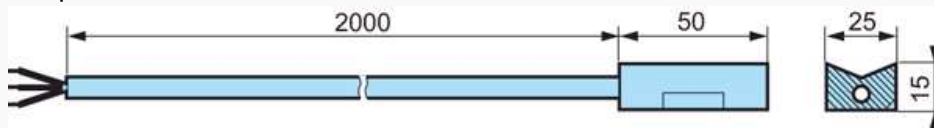
**Dimensions (mm)**

Pt100 probe Class B : 79696036



**Dimensions (mm)**

Pt100 probe Class B : 79696037

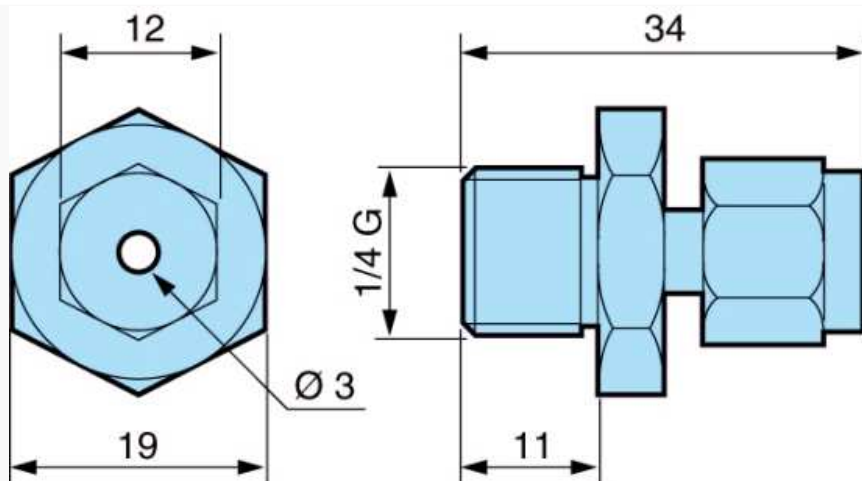


Aluminium vee (This part is removable)

**Dimensions (mm)**

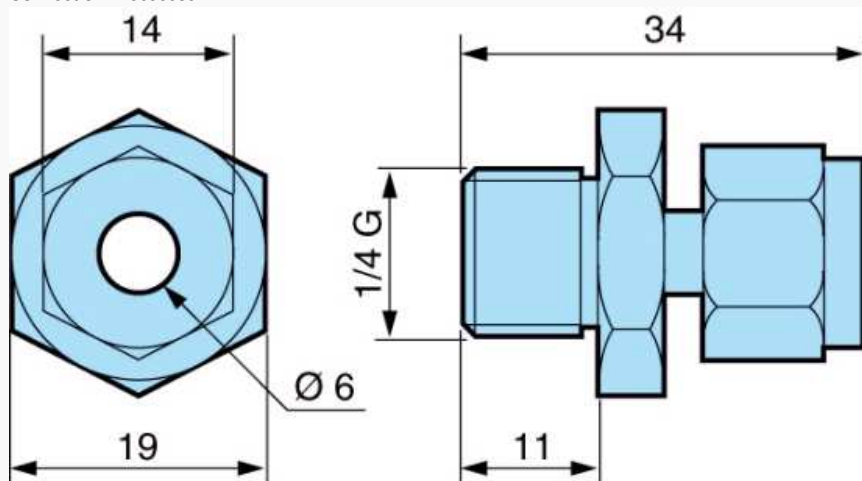
Connection : 79696038





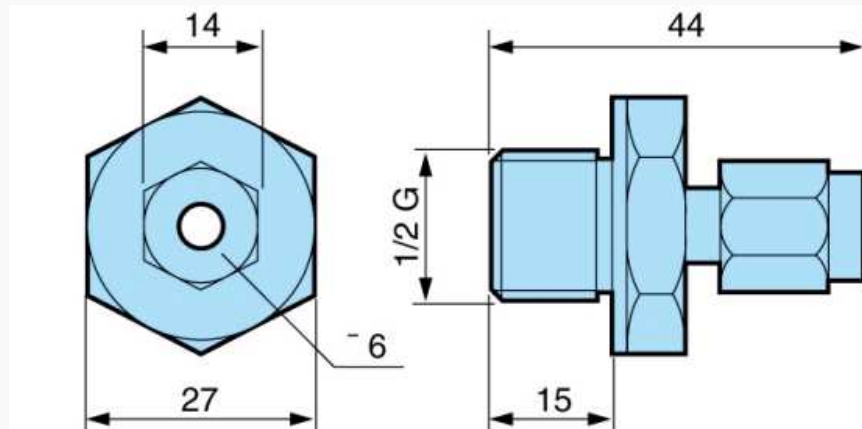
#### Dimensions (mm)

Connection : 79696039



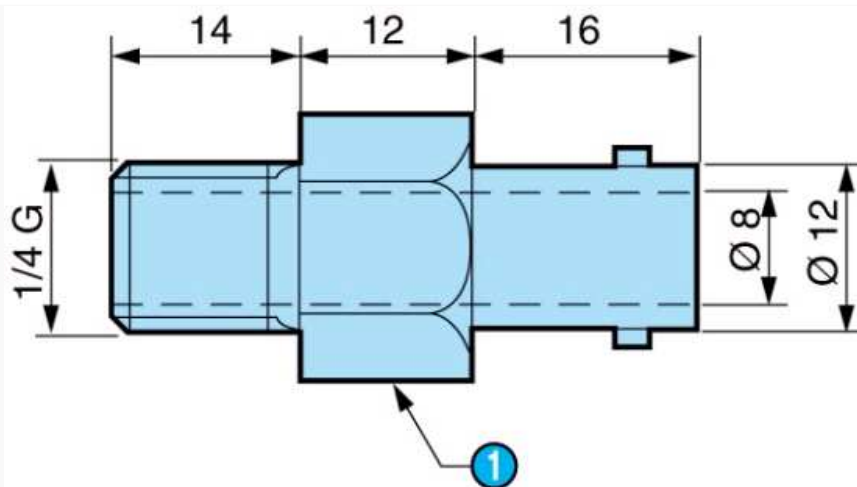
#### Dimensions (mm)

Connection : 79696040



#### Dimensions (mm)

Sub-base : 79696041



N°	Legend
1	17 across flat

#### Dimensions (mm)

Flange : 79696042

