



Chipsmall Limited consists of a professional team with an average of over 10 year of expertise in the distribution of electronic components. Based in Hongkong, we have already established firm and mutual-benefit business relationships with customers from,Europe,America and south Asia,supplying obsolete and hard-to-find components to meet their specific needs.

With the principle of "Quality Parts,Customers Priority,Honest Operation,and Considerate Service",our business mainly focus on the distribution of electronic components. Line cards we deal with include Microchip,ALPS,ROHM,Xilinx,Pulse,ON,Everlight and Freescale. Main products comprise IC,Modules,Potentiometer,IC Socket,Relay,Connector.Our parts cover such applications as commercial,industrial, and automotives areas.

We are looking forward to setting up business relationship with you and hope to provide you with the best service and solution. Let us make a better world for our industry!



Contact us

Tel: +86-755-8981 8866 Fax: +86-755-8427 6832

Email & Skype: info@chipsmall.com Web: www.chipsmall.com

Address: A1208, Overseas Decoration Building, #122 Zhenhua RD., Futian, Shenzhen, China

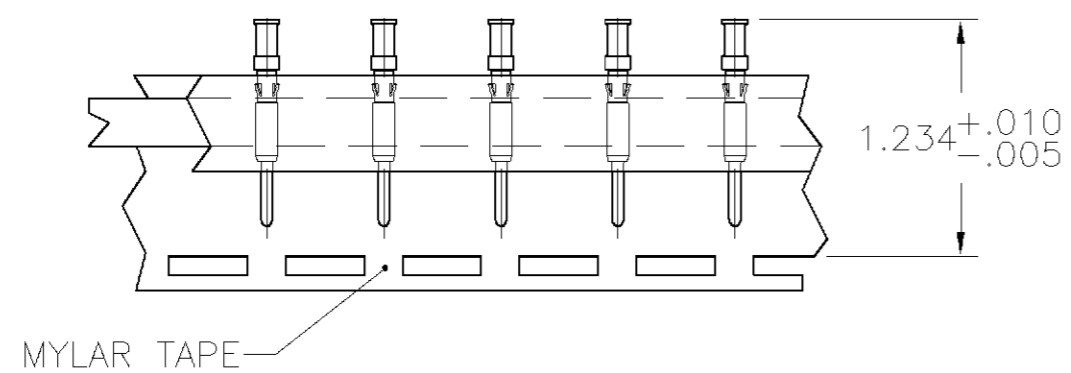
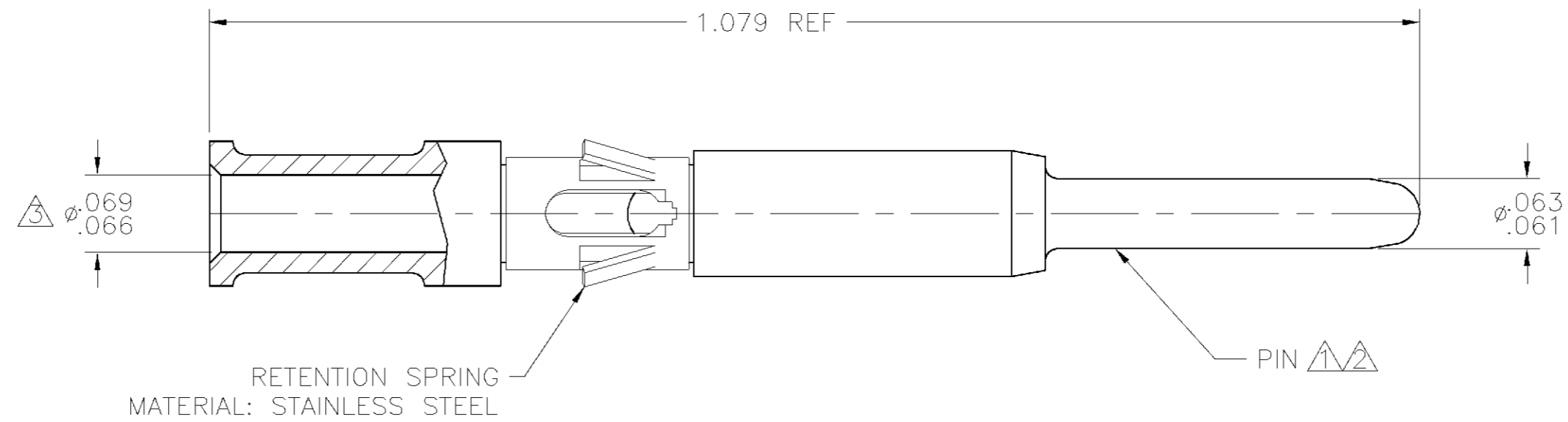


THIS DRAWING IS UNPUBLISHED. RELEASED FOR PUBLICATION
 © COPYRIGHT BY TYCO ELECTRONICS CORPORATION. ALL RIGHTS RESERVED.

LOC		DIST		REVISIONS			
P	LTR	DESCRIPTION		DATE	DWN	APVD	
FT	0	A		RELEASE PER 0G3B-0297-02	5/22/02	SS	GS

NOTES:

- ① MATERIAL: COPPER ALLOY
- ② FINISH: 200 μINCH MIN SILVER OVER 50 μINCH MIN. NICKEL
- ③ WIRE BARREL WILL ACCEPT 18-16 AWG WIRE.
- ④ WHEN ORDERING CONTACT ASSEMBLIES ON TAPE, ORDER BY PART NUMBER PLUS THE PACKAGING CODE AS FOLLOWS:
 A. 5000 PARTS PER REEL ADD PACKAGING CODE: 5MREEL
 I.E. ORDER #796964-2 5MREEL.



TAPE MTG DETAIL ④
 796964-2 ONLY

④ TAPE MTG (SEE DETAIL)	796964-2
STANDARD	796964-1
PACKAGING TYPE	PART NO

THIS DRAWING IS A CONTROLLED DOCUMENT.		DWN S SCHLEGEL 5/22/02	Tyco Electronics Corporation Harrisburg, PA 17105	
DIMENSIONS: INCHES		CHK G STEINHAUER 5/22/02		
TOLERANCES UNLESS OTHERWISE SPECIFIED:		APVD G STEINHAUER 5/22/02	NAME	
0 PLC ± -	1 PLC ± -	PRODUCT SPEC	PIN, .062 DIA., 18-16 AWG HIGH CURRENT TYPE II/III+	
2 PLC ± .01	3 PLC ± .005	APPLICATION SPEC	SIZE A2	CAGE CODE 00779
4 PLC ± -	ANGLES ± -	WEIGHT -	DRAWING NO C=796964	RESTRICTED TO -
MATERIAL - ①	FINISH - ②	CUSTOMER DRAWING	SCALE 8:1	SHEET 1 OF 1