



Chipsmall Limited consists of a professional team with an average of over 10 year of expertise in the distribution of electronic components. Based in Hongkong, we have already established firm and mutual-benefit business relationships with customers from,Europe,America and south Asia,supplying obsolete and hard-to-find components to meet their specific needs.

With the principle of “Quality Parts,Customers Priority,Honest Operation,and Considerate Service”,our business mainly focus on the distribution of electronic components. Line cards we deal with include Microchip,ALPS,ROHM,Xilinx,Pulse,ON,Everlight and Freescale. Main products comprise IC,Modules,Potentiometer,IC Socket,Relay,Connector.Our parts cover such applications as commercial,industrial, and automotives areas.

We are looking forward to setting up business relationship with you and hope to provide you with the best service and solution. Let us make a better world for our industry!



## Contact us

Tel: +86-755-8981 8866 Fax: +86-755-8427 6832

Email & Skype: info@chipsmall.com Web: www.chipsmall.com

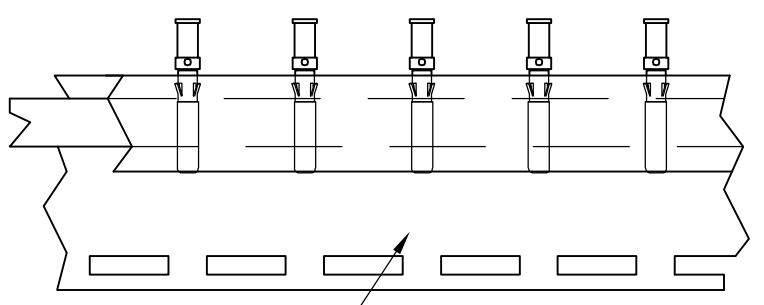
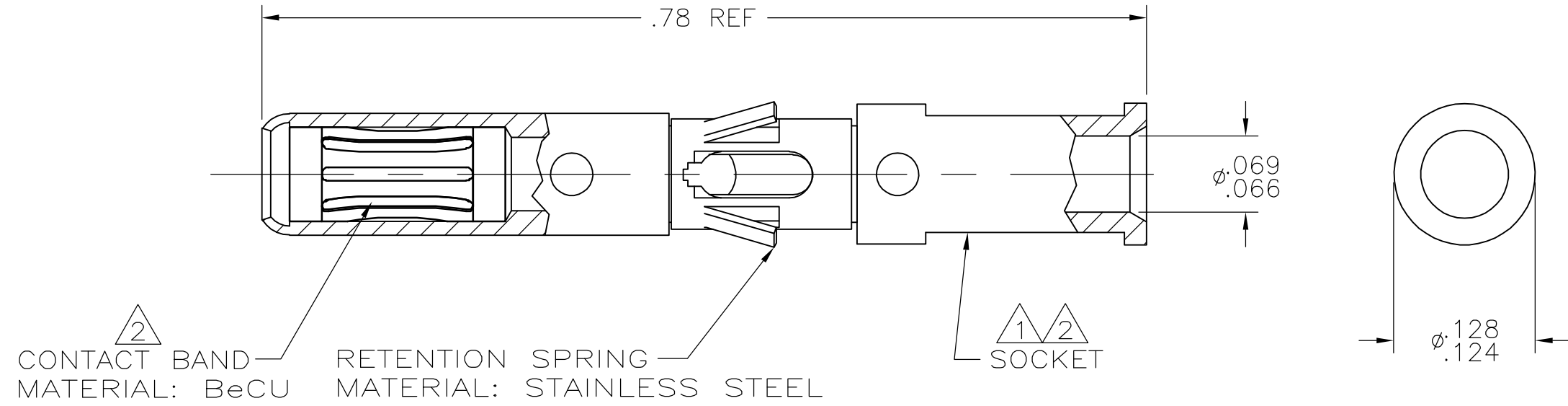
Address: A1208, Overseas Decoration Building, #122 Zhenhua RD., Futian, Shenzhen, China



THIS DRAWING IS UNPUBLISHED. RELEASED FOR PUBLICATION  
 © COPYRIGHT BY TYCO ELECTRONICS CORPORATION. ALL RIGHTS RESERVED.

LOC	DIST	REVISIONS			
P	LTR	DESCRIPTION	DATE	DWN	APVD
FT	0	A	REVISED PER ECO-06-27943	11/29/06	SS GS

- ① MATERIAL: COPPER ALLOY
- ② FINISH: SOCKET; 200uINCHES MIN. SILVER OVER 50uINCHES MIN. NICKEL BAND; 10uINCHES MIN. GOLD OVER 40 uINCHES MIN. NICKEL.
- ③ WIRE BARREL WILL ACCEPT 18-16 AWG WIRE.
- 4. MATES WITH 796964-1.
- ⑤ WHEN ORDERING CONTACT ASSEMBLIES ON TAPE, ORDER BY PART NUMBER PLUS THE PACKAGING CODE AS FOLLOWS:  
 A. 5000 PARTS PER REEL ADD PACKAGING CODE: 5MREEL  
 I.E. ORDER # 796966-2, 5MREEL.



MYLAR TAPE  
 796966-2 TAPE MTG DETAIL ⑤  
 SCALE: 1:1

⑤ PRELIMINARY	TAPE MTG (SEE DETAIL)	796966-2
	STANDARD	796966-1
	PACKAGING TYPE	PART NO

THIS DRAWING IS A CONTROLLED DOCUMENT.		DWN S SCHLEGEL 12/19/02	Tyco Electronics Corporation Harrisburg, PA 17105-3608	
DIMENSIONS: INCHES		CHK G STEINHAUER 12/19/02		
TOLERANCES UNLESS OTHERWISE SPECIFIED:		APVD G STEINHAUER 12/19/02	NAME SOCKET ASSY, 18-16 AWG HIGH CURRENT TYPE II/III+	
0 PLC ± - 1 PLC ± - 2 PLC ± - 3 PLC ± - 4 PLC ± - ANGLES ± -		PRODUCT SPEC -	RESTRICTED TO -	
MATERIAL ①		APPLICATION SPEC -	SIZE A3	CAGE CODE 00779
FINISH ②		WEIGHT -	DRAWING NO C-796966	
CUSTOMER DRAWING			SCALE 8:1	SHEET 1 OF 1
			REV A	