



Chipsmall Limited consists of a professional team with an average of over 10 year of expertise in the distribution of electronic components. Based in Hongkong, we have already established firm and mutual-benefit business relationships with customers from,Europe,America and south Asia,supplying obsolete and hard-to-find components to meet their specific needs.

With the principle of “Quality Parts,Customers Priority,Honest Operation,and Considerate Service”,our business mainly focus on the distribution of electronic components. Line cards we deal with include Microchip,ALPS,ROHM,Xilinx,Pulse,ON,Everlight and Freescale. Main products comprise IC,Modules,Potentiometer,IC Socket,Relay,Connector.Our parts cover such applications as commercial,industrial, and automotives areas.

We are looking forward to setting up business relationship with you and hope to provide you with the best service and solution. Let us make a better world for our industry!



Contact us

Tel: +86-755-8981 8866 Fax: +86-755-8427 6832

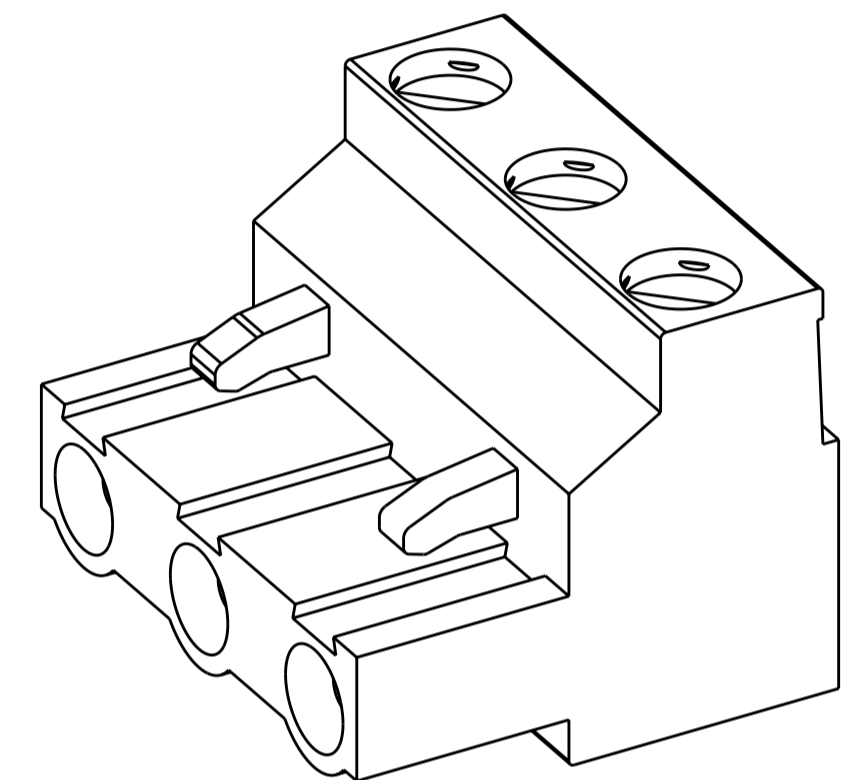
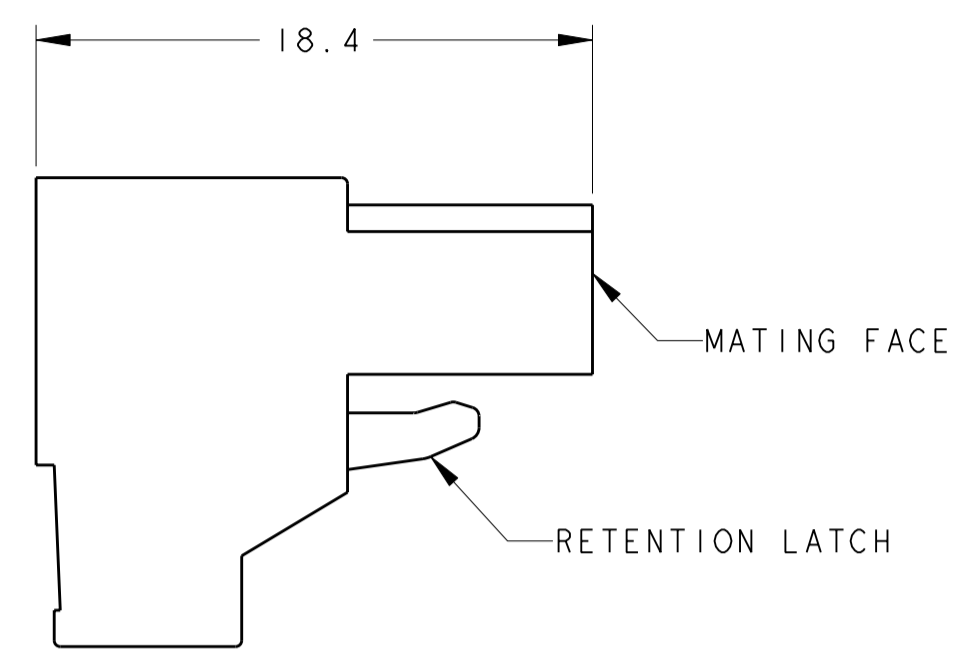
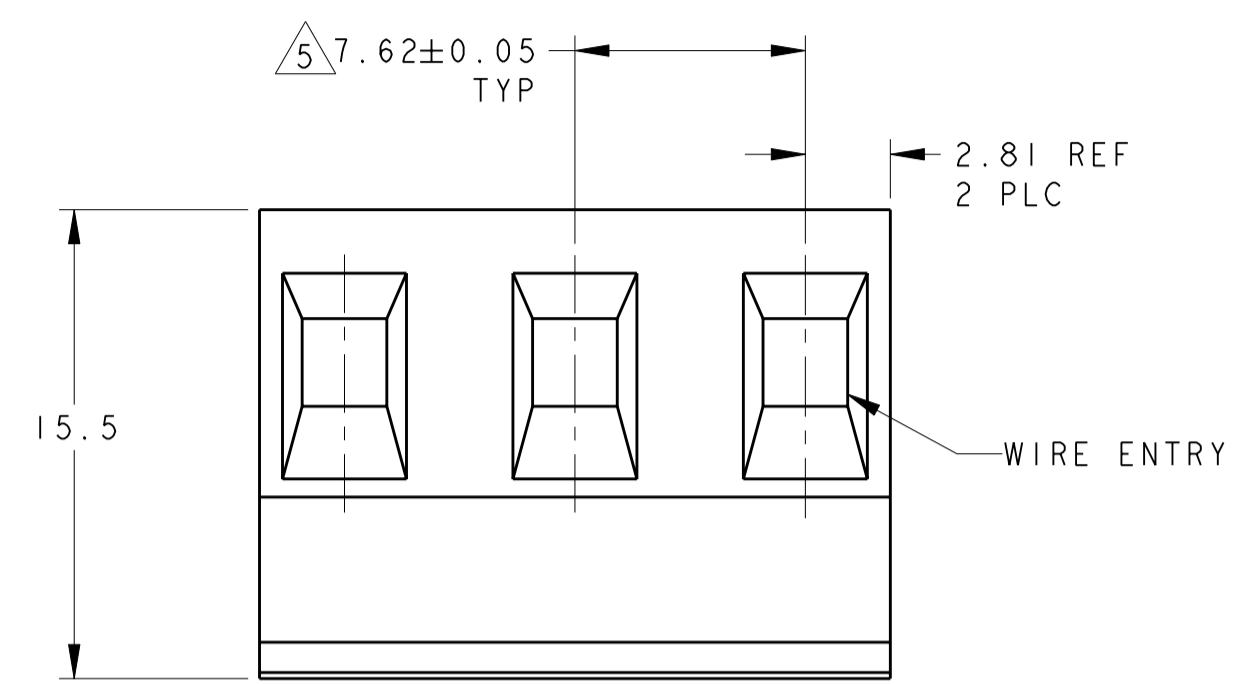
Email & Skype: info@chipsmall.com Web: www.chipsmall.com

Address: A1208, Overseas Decoration Building, #122 Zhenhua RD., Futian, Shenzhen, China

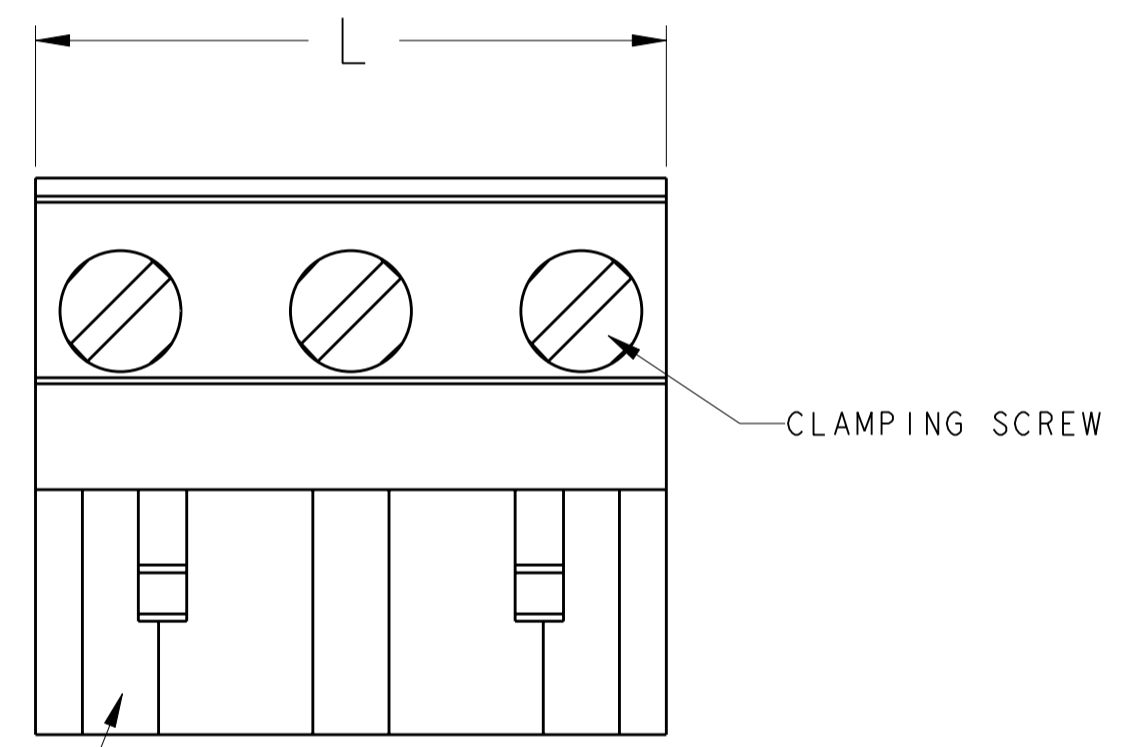


THIS DRAWING IS UNPUBLISHED. RELEASED FOR PUBLICATION 20
 © COPYRIGHT 20 ALL RIGHTS RESERVED.

LOC	DIST	REVISIONS			
P	LTR	DESCRIPTION	DATE	DWN	APVD
FT	0	B1	REVISED PER ECO-11-005931	23MAR2011	HMR CR



796981-3 AS SHOWN



POLARIZATION KEY SLOT

1. MATERIALS AND FINISH:
 HOUSING: PA 6-6, UL 94-V0, COLOR: SEE P/N TABLE.
 CLAMP: BRASS, NICKEL PLATED.
 DOUBLE SIDE CONTACT SPRING: PHOSPHOR BRONZE, TIN PLATED.
 CLAMPING SCREW: M3, BRASS, NICKEL PLATED.
2. WIRE SIZE RANGE
 SOLID WIRE: 12-30AWG
 STRANDED WIRE: 12-30AWG
3. RECOGNIZED UNDER THE COMPONENT PROGRAM OF
 UNDERWRITERS LABORATORIES INC. FILE N° E60677.
4. IMQ CERTIFICATE WITH SURVEILLANCE IN CONFORMITY WITH IEC 998-1/998-2-1.
5. NOT CUMULATIVE TOLERANCE

COLOR	DIM L.	NO OF POSN	PART NUMBER
GREEN	89.44	12	1-796981-2
GREEN	81.82	11	1-796981-1
GREEN	74.20	10	1-796981-0
GREEN	66.58	9	796981-9
GREEN	58.96	8	796981-8
GREEN	51.34	7	796981-7
GREEN	43.72	6	796981-6
BLACK	36.10	5	2-796981-5
GREEN	36.10	5	796981-5
GREEN	28.48	4	796981-4
GREEN	20.86	3	796981-3
GREEN	13.24	2	796981-2

THIS DRAWING IS A CONTROLLED DOCUMENT.		DWN E. ZANOLINI 28MAR2001	TE Connectivity NAME TERMINAL BLOCK, PLUG 7.62mm PITCH	
DIMENSIONS:		CHK D. BIEVENOUR 28MAR2001		
mm		APVD D. BIEVENOUR 28MAR2001		
TOLERANCES UNLESS OTHERWISE SPECIFIED: 0 PLC ±- 1 PLC ±0.2 2 PLC ±0.2 3 PLC ±0.001 4 PLC ±0.0001 ANGLES ±2 FINISH		PRODUCT SPEC - APPLICATION SPEC - WEIGHT -		
MATERIAL		SCALE NTS		RESTRICTED TO
		A200779C-796981		REV B1