



Chipsmall Limited consists of a professional team with an average of over 10 year of expertise in the distribution of electronic components. Based in Hongkong, we have already established firm and mutual-benefit business relationships with customers from,Europe,America and south Asia,supplying obsolete and hard-to-find components to meet their specific needs.

With the principle of “Quality Parts,Customers Priority,Honest Operation,and Considerate Service”,our business mainly focus on the distribution of electronic components. Line cards we deal with include Microchip,ALPS,ROHM,Xilinx,Pulse,ON,Everlight and Freescale. Main products comprise IC,Modules,Potentiometer,IC Socket,Relay,Connector.Our parts cover such applications as commercial,industrial, and automotives areas.

We are looking forward to setting up business relationship with you and hope to provide you with the best service and solution. Let us make a better world for our industry!



Contact us

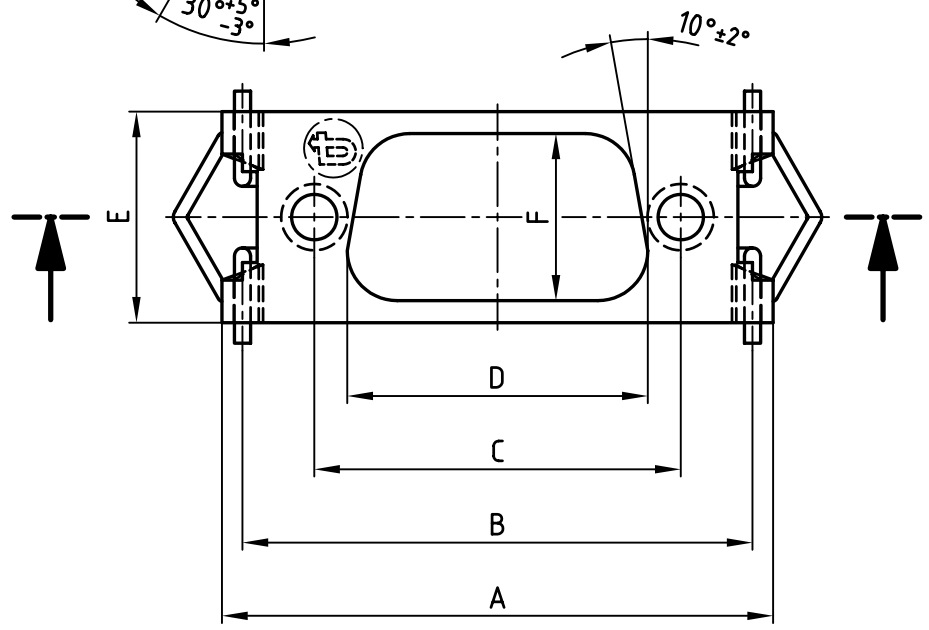
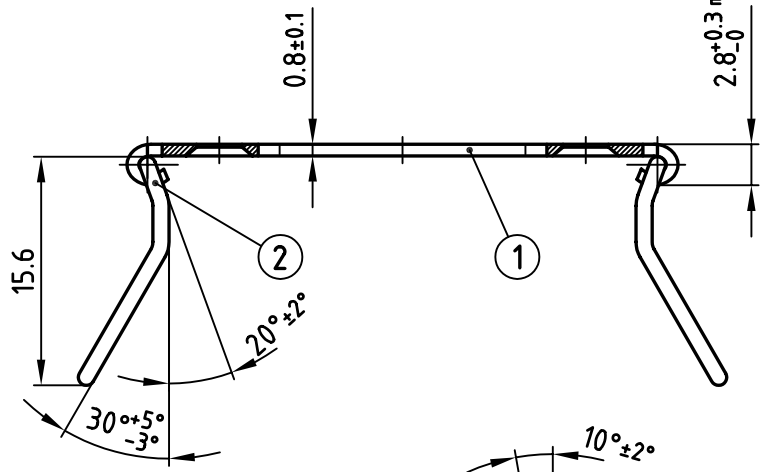
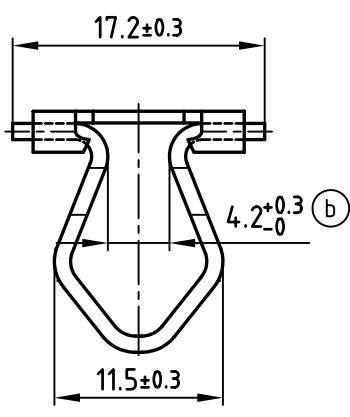
Tel: +86-755-8981 8866 Fax: +86-755-8427 6832

Email & Skype: info@chipsmall.com Web: www.chipsmall.com

Address: A1208, Overseas Decoration Building, #122 Zhenhua RD., Futian, Shenzhen, China



used for: D-SUB



Directive 2002/95/EC
"RoHS"
Compliant

POS.	A±0.2	B±0.3	C±0.15	D-0.2	E+0.2	F±0.1	Part-no.
9	37.60	34.30	25.00	20.50	14.40	11.40	799-102080
15	45.90	42.50	33.30	28.80	14.40	11.40	799-101180
25	59.60	56.40	47.00	42.50	14.40	11.40	799-101780
37	76.10	72.70	63.50	59.10	14.40	11.40	799-101980
50	73.70	70.70	61.10	56.30	17.10	14.10	799-101880

2	Spring steel bow	2	Stainless steel no. 1.4571
1	Base element	1	Stainless steel no. 1.4541 / 1.4571
quantity	part description	Item	material

THIS DRAWING MAY NOT BE COPIED OR REPRODUCED IN ANY WAY, AND MAY NOT BE PASSED ON TO A THIRD PARTY WITHOUT WRITTEN PERMISSION. OWNERSHIP AND COPYRIGHT OF CONEC GmbH DO NOT ALTER CAD DRAWING BY HAND	finish:	tolerance		scale:	2:1	
	black plating method Deltasil	ISO 7168-m		material:		
		2001	date	name	title: Base element with spring steel bow design D-SUB	
		drawn	14.02.	Parei		
		appd.	14.02.	E. Mickenbecker		
	norm			dwg no: AutoCAD 2000 DIN-A 4 sh: 1/1		
	d-old	91.9.950.0018-5				
1 x b	Ä2675	26.02.2007	E.Mick.	part no: 7992A001A SEE TABLE		
"a"	Ä 1236	20.02.2001	Parei			
rev.	description	date	name			

