



Chipsmall Limited consists of a professional team with an average of over 10 year of expertise in the distribution of electronic components. Based in Hongkong, we have already established firm and mutual-benefit business relationships with customers from,Europe,America and south Asia,supplying obsolete and hard-to-find components to meet their specific needs.

With the principle of “Quality Parts,Customers Priority,Honest Operation,and Considerate Service”,our business mainly focus on the distribution of electronic components. Line cards we deal with include Microchip,ALPS,ROHM,Xilinx,Pulse,ON,Everlight and Freescale. Main products comprise IC,Modules,Potentiometer,IC Socket,Relay,Connector.Our parts cover such applications as commercial,industrial, and automotives areas.

We are looking forward to setting up business relationship with you and hope to provide you with the best service and solution. Let us make a better world for our industry!



Contact us

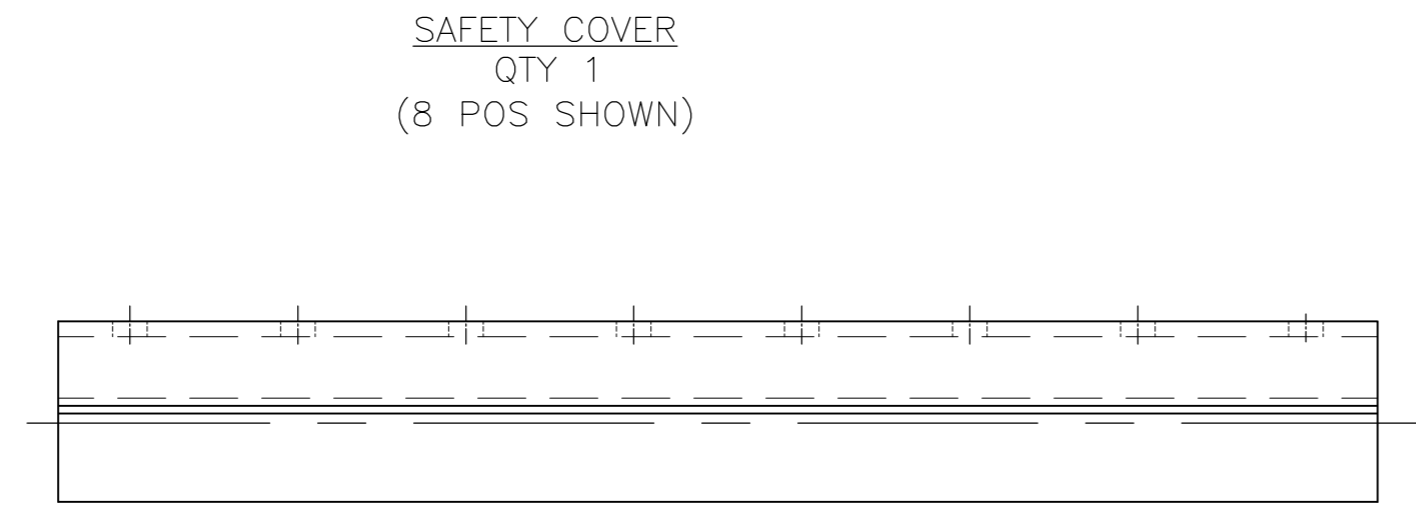
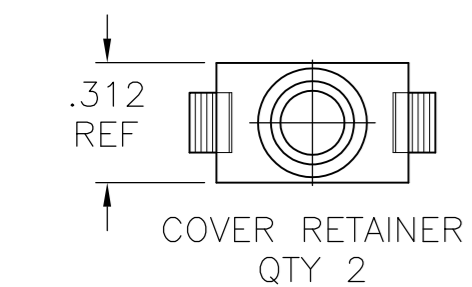
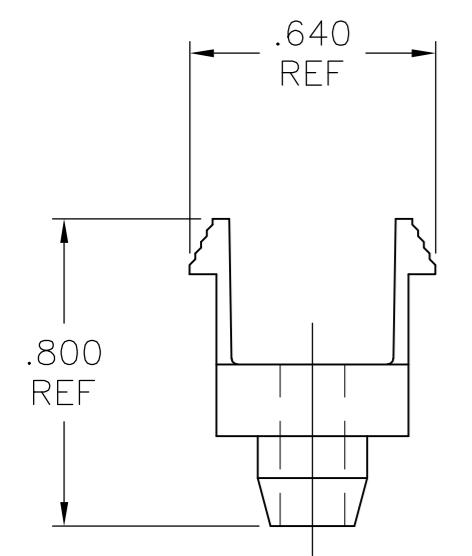
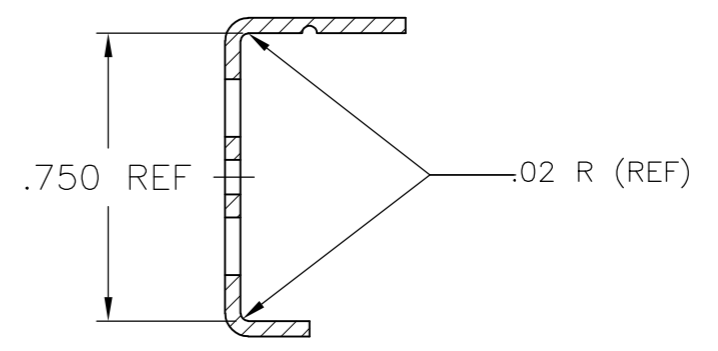
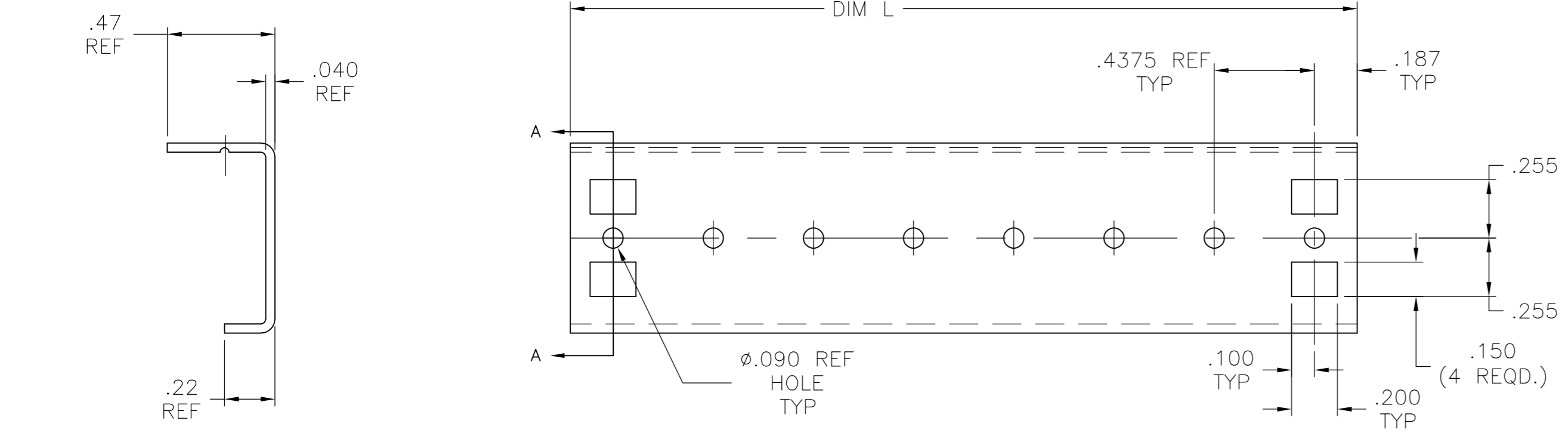
Tel: +86-755-8981 8866 Fax: +86-755-8427 6832

Email & Skype: info@chipsmall.com Web: www.chipsmall.com

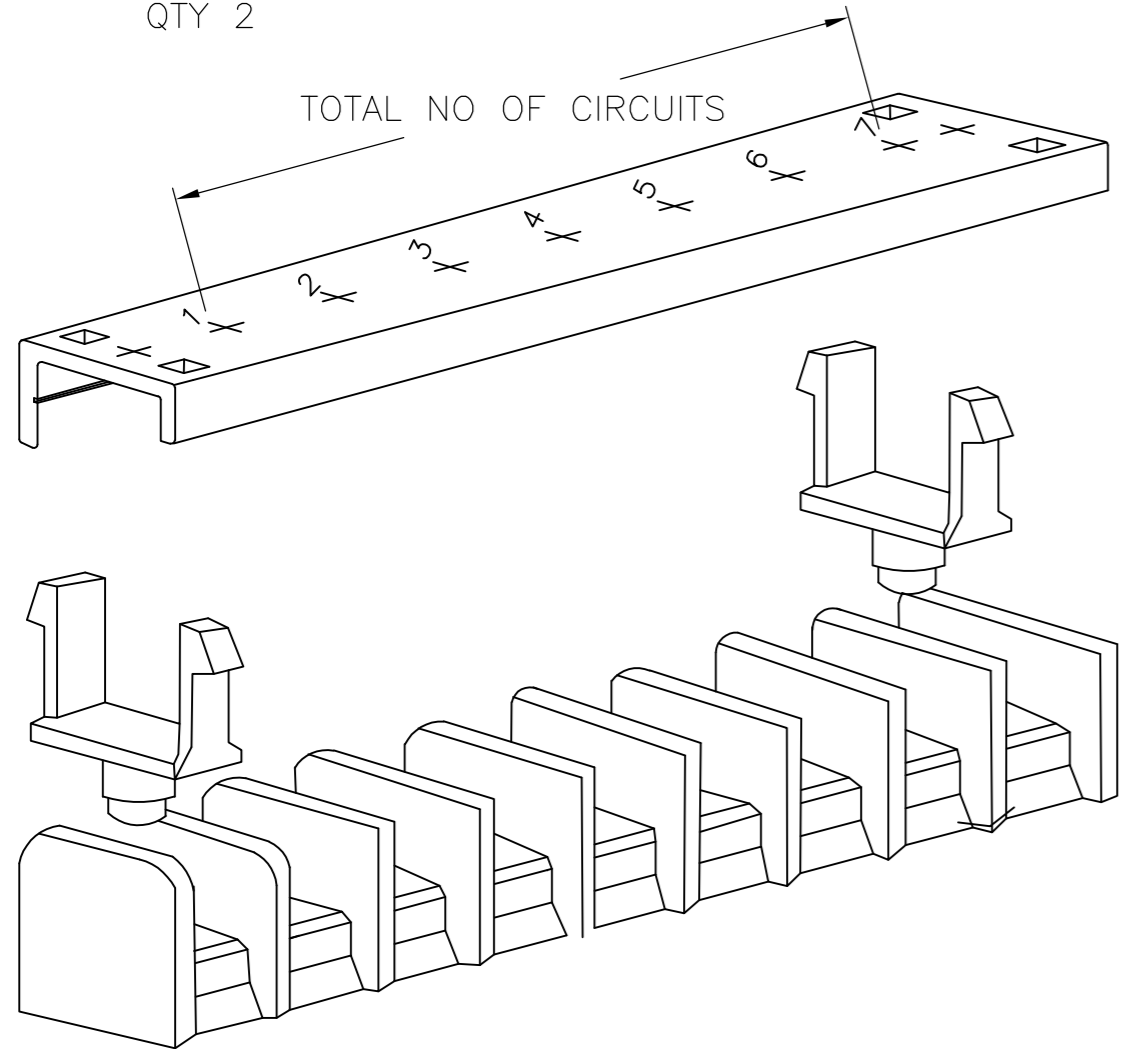
Address: A1208, Overseas Decoration Building, #122 Zhenhua RD., Futian, Shenzhen, China



LOC		DIST		REVISIONS			
P	LTR	DESCRIPTION	DATE	DWN	APVD		
	N1	REVISED PER ECO-11-025521	01MAR12	KH	MS		



SAFETY COVER
 QTY 1
 (8 POS SHOWN)



7
 |
 7=.4375 C/L SPACING

C
 |
 COVER MATERIAL YELLOW PVC

1
 |
 CLOSED BACK

*
 |
 N=NO MARKING F=FORWARD SEQUENCE

*
 |
 NUMBER OF CIRCUITS

2-1437402-1	11.312	26	24	7C1N24	2-1776436-4
2-1437402-1	10.875	25	23	7C1N23	2-1776436-3
2-1437402-1	10.437	24	22	7C1N22	2-1776436-2
2-1437402-1	10	23	21	7C1N21	2-1776436-1
2-1437402-1	9.563	22	20	7C1N20	2-1776436-0
2-1437402-1	8.687	20	18	7C1N18	1-1776436-8
2-1437402-1	8.25	19	17	7C1N17	1-1776436-7
2-1437402-1	7.375	17	15	7C1N15	1-1776436-5
2-1437402-1	6.937	16	14	7C1N14	1-1776436-4
2-1437402-1	5.625	13	11	7C1N11	1-1776436-1
2-1437402-1	9.125	21	19	7C1N19	5-1437418-0
2-1437402-1	7.812	18	16	7C1N16	4-1437418-9
2-1437402-1	6.062	14	12	7C1N12	4-1437418-8
2-1437402-1	5.187	12	10	7C1N10	4-1437418-7
2-1437402-1	4.75	11	9	7C1N09	4-1437418-6
2-1437402-1	4.312	10	8	7C1N08	4-1437418-5
2-1437402-1	3.875	9	7	7C1N07	4-1437418-4
2-1437402-1	3.437	8	6	7C1N06	4-1437418-3
2-1437402-1	3.000	7	5	7C1N05	4-1437418-2
2-1437402-1	2.562	6	4	7C1N04	4-1437418-1
2-1437402-1	2.125	5	3	7C1N03	4-1437418-0
2-1437402-1	1.687	4	2	7C1N02	3-1437418-9
2-1437402-1	6.5	15	13	7C1F13	3-1437418-7
COVER RETAINER QTY=2	DIM L ± 0.040	TOTAL NUMBER OF HOLES	TOTAL NUMBER OF CIRCUITS	CATALOG NUMBER	PART NUMBER

THIS DRAWING IS A CONTROLLED DOCUMENT.

DWN S SCHLEGEL 9/29/06
 CHK S YODER 9/29/06
 APVD S YODER 9/29/06

TE Connectivity

SAFETY COVER
 KITS FOR SSB .4375 CENTERS

SIZE A2 CAGE CODE 00779 DRAWING NO C-1437412-5 RESTRICTED TO -

SCALE 2:1 SHEET 1 of 1 REV N1