



Chipsmall Limited consists of a professional team with an average of over 10 year of expertise in the distribution of electronic components. Based in Hongkong, we have already established firm and mutual-benefit business relationships with customers from,Europe,America and south Asia,supplying obsolete and hard-to-find components to meet their specific needs.

With the principle of “Quality Parts,Customers Priority,Honest Operation,and Considerate Service”,our business mainly focus on the distribution of electronic components. Line cards we deal with include Microchip,ALPS,ROHM,Xilinx,Pulse,ON,Everlight and Freescale. Main products comprise IC,Modules,Potentiometer,IC Socket,Relay,Connector.Our parts cover such applications as commercial,industrial, and automotives areas.

We are looking forward to setting up business relationship with you and hope to provide you with the best service and solution. Let us make a better world for our industry!



Contact us

Tel: +86-755-8981 8866 Fax: +86-755-8427 6832

Email & Skype: info@chipsmall.com Web: www.chipsmall.com

Address: A1208, Overseas Decoration Building, #122 Zhenhua RD., Futian, Shenzhen, China



PXF Series (triple output) DC-DC Converters

The PXF is a DC-DC converter which provides a regulated output at power levels up to 40 watts. It accepts a wide range DC input. The converter may be operated with or without the input and output pins grounded.

Table of Contents

General Safety Instructions	1
Fusing	1
Installation Method	1
Soldering and Cleaning	1
Pin Assignments	2
Block Diagram	2
EMI Filter (Optional)	2
Minimum Load	2
Outline Drawing	2
Remote On-Off Control	3
Thermal Consideration	3

General Safety Instructions

These products are designed to be PCB mounted and for use within other equipment or enclosures. For safe installation and operation, carefully follow the instructions below:

1. Do not install, test, or operate the products near water or spill liquid on them.
2. Do not operate these products unless they are securely fastened.
3. These products must be installed in a restricted access location accessible to authorized personnel only.
4. These products must be professionally installed in accordance with the prevailing electrical wiring regulations and safety standards.
5. The output power taken from the unit must not exceed the ratings stated in the catalog datasheet.
6. Ensure adequate ventilation is provided to allow air to circulate.
7. This product has functional insulation between input and output and therefore the DC source to this product must be reinforced or double insulated to the AC input in accordance with IEC/EN 60950-1 to achieve SELV output.

Fusing

An external ceramic sand-filled fuse is needed for protection.

- 12V input ~ 250V, F8A, HBC
- 24V input ~ 250V, F5A, HBC
- 48V input ~ 250V, F5A, HBC

Installation Method

The unit can be mounted in any direction. Position single or multiple units with proper spacing to allow for adequate air ventilation. The case temperature of each unit should not exceed the temperature range as noted in the data sheet.

Avoid placing PCB traces for the DC input and DC output directly under the unit to limit the possibility of unwanted conducted noise.

Soldering and Cleaning

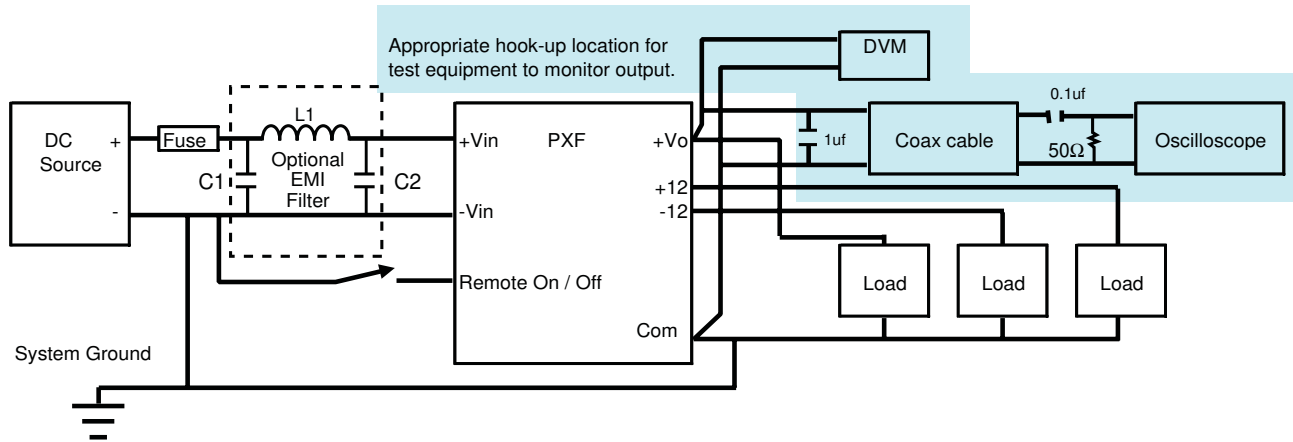
- Flow soldering : 260±10°C less than 15 seconds
- Soldering iron : 370±10°C less than 5 seconds

Note: The pins of this module are coated with Tin. To assure the solder-ability, modules should be kept in their original shipping containers to provide adequate protection. Also, the storage environment should be controlled to prevent oxidation of the pins.

Following wave solder, the converters should be given an opportunity to cool to within 10°C of the cleaning solution temperature. Cleaning while at a higher temperature may increase the risk of vacuum absorption of the solution into the converter between the pins and potting material during cooling.

It is recommended that during the wash process, the date code screening is protected to avoid erasure.

Block Diagram



EMI Filter (Optional)

Input filter components (C1, C2, L1) are used to help meet special conducted emissions requirements for the PXF product. These components should be mounted as close as possible to the DC-DC converter; and all leads should be minimized to decrease radiated noise.

	C1	L1	C2
PXF40	1 μ F, MLC	5.5 μ H	39 μ F 100V Electrolytic

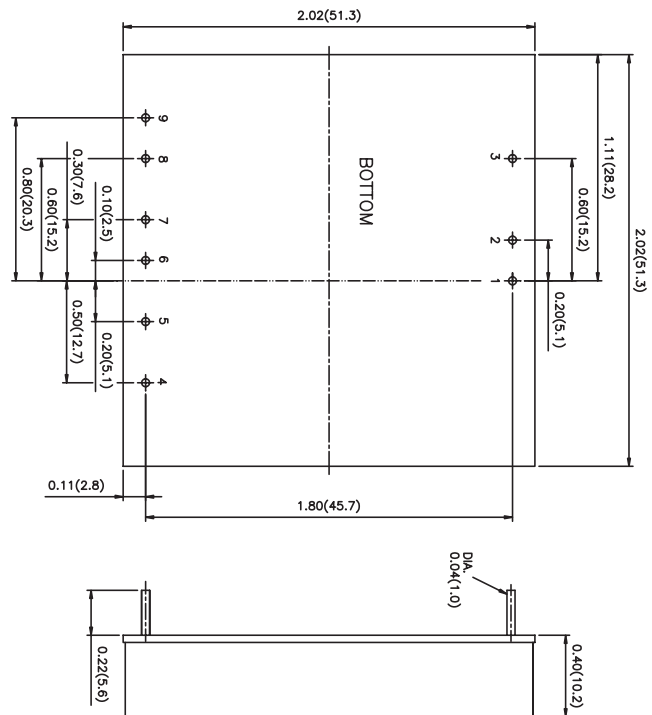
Minimum Load

A 10% (of full load) minimum load is required on each output to meet the performance specifications. The unit does not maintain regulation and operate properly under a no-load condition.

Pin Assignments

Pin	Connection
1	+ Input
2	- Input
3	Remote On / Off
4	+ Aux
5	Common
6	- Aux
7	+ Output
8	- Output (com)
9	NC

Outline Drawing



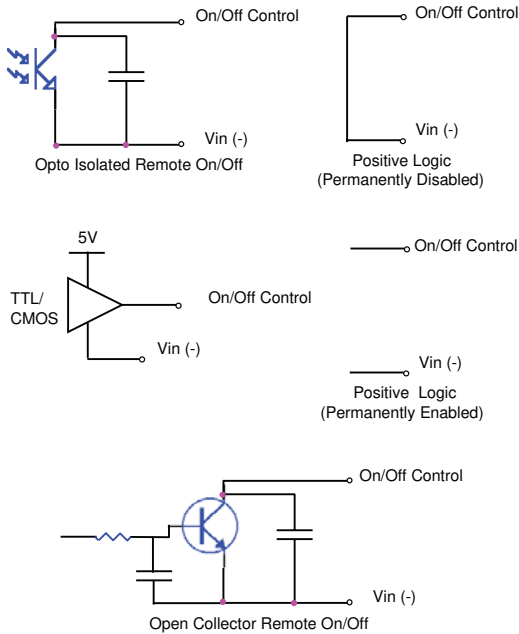
ALL DIMENSIONS IN INCHES(mm)
 PIN PITCH TOLERANCE $\pm 0.014(0.35)$
 Tolerance : x.xx $\pm 0.02(x.x \pm 0.5)$
 x.xxx $\pm 0.01(x.xx \pm 0.25)$

Pin Diameter: 1mm (0.04")

Positive Logic

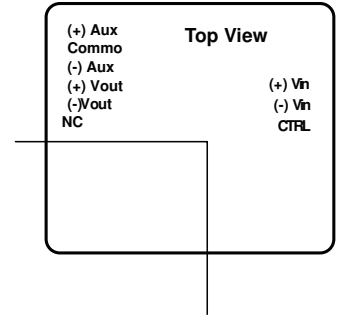
To turn the module on and off, the user must supply a switch (or equivalent circuit below) to control the voltage between the on/off terminal $V_{on/off}$ and the $V_{i(-)}$ input terminal. With an open circuit the module is normally on. To turn the module off the voltage on the $V_{on/off}$ pin needs to be 0V-1.2V. The maximum current $I_{on/off}$ should be limited to less than 100 μ A

Below are five possible circuits for driving the ON/OFF Pin:



Thermal Consideration

The power module operates in a variety of thermal environments; however, sufficient cooling should be provided to help ensure reliable operation of the unit. Heat is removed by conduction, convection, and radiation to the surrounding environment. Proper cooling can be verified by measuring the case temperature. The case temperature (T_c) should be measured at the position indicated in figure to the right.



When operating the module, adequate cooling must be provided to maintain the case temperature at or below 100°C. Maintaining a lower temperature will yield higher reliability of the device. Optimum cooling is obtained with forced convection.

Flow Rate	θ
Convection*	9.2°C/W
100LFM	-
200LFM	6.5
300LFM	5.3
400LFM	4.0
500LFM	3.5
Heatsink**	8.5 Convection
	2.8 500LFM

* Mounted vertically
 ** Optional heatsink 7G0026A (includes adhesive pad)