



Chipsmall Limited consists of a professional team with an average of over 10 year of expertise in the distribution of electronic components. Based in Hongkong, we have already established firm and mutual-benefit business relationships with customers from,Europe,America and south Asia,supplying obsolete and hard-to-find components to meet their specific needs.

With the principle of “Quality Parts,Customers Priority,Honest Operation,and Considerate Service”,our business mainly focus on the distribution of electronic components. Line cards we deal with include Microchip,ALPS,ROHM,Xilinx,Pulse,ON,Everlight and Freescale. Main products comprise IC,Modules,Potentiometer,IC Socket,Relay,Connector.Our parts cover such applications as commercial,industrial, and automotives areas.

We are looking forward to setting up business relationship with you and hope to provide you with the best service and solution. Let us make a better world for our industry!



Contact us

Tel: +86-755-8981 8866 Fax: +86-755-8427 6832

Email & Skype: info@chipsmall.com Web: www.chipsmall.com

Address: A1208, Overseas Decoration Building, #122 Zhenhua RD., Futian, Shenzhen, China



Notes:

1. Allow clearance for finger squeeze access from the two sides shown.

2. No tracks or vias in the shaded "KEEP OUT" AREA.

3. No other track or signal within .02" of any contact pad.

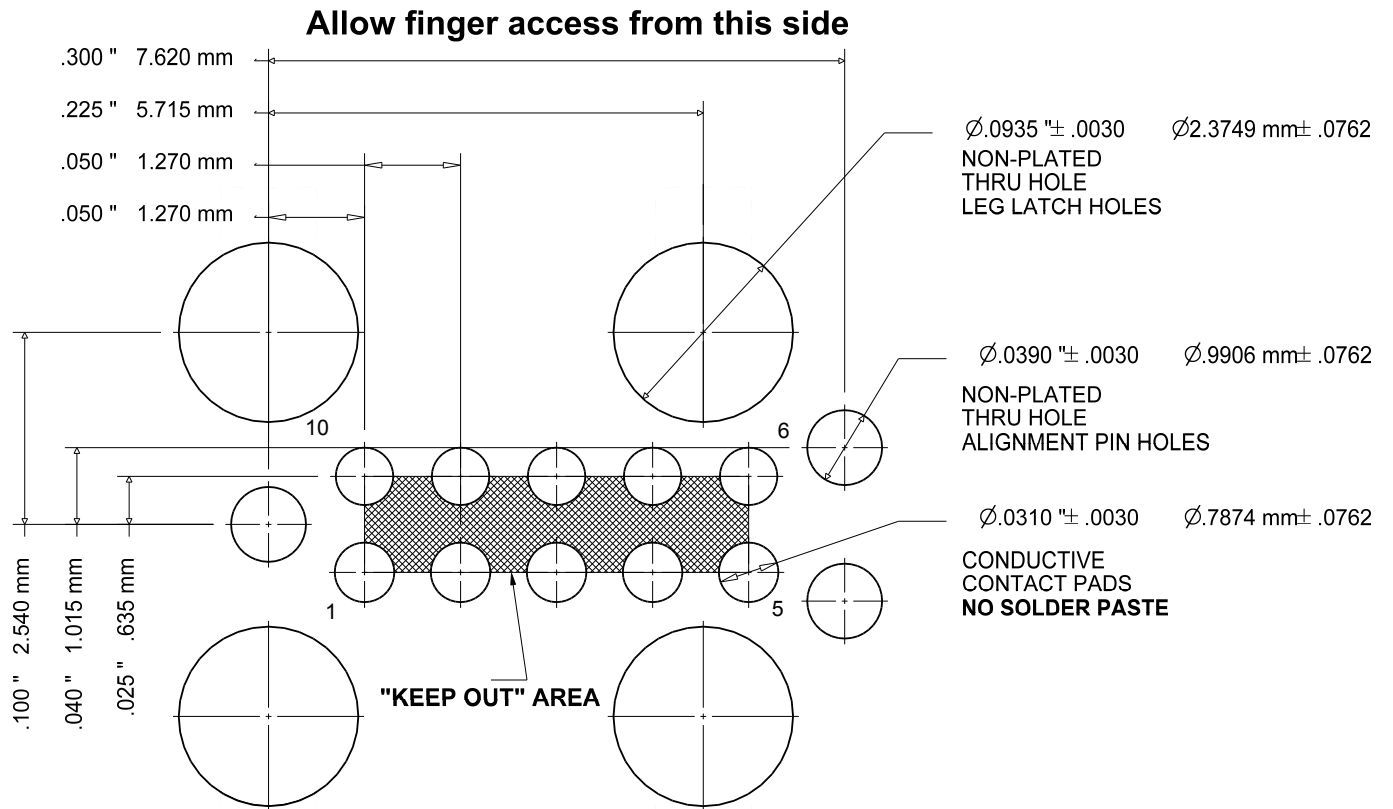
4. Do not allow solder paste on the contact pads. It is essential to eliminate any hole in the solder paste-mask (solder stencil) layer. If this is not possible make the contact pads thru-hole with a finished hole size of .008" or less.

5. Leg and alignment holes may be plated and used as vias but ensure minimum finished hole size meets specified tolerances.

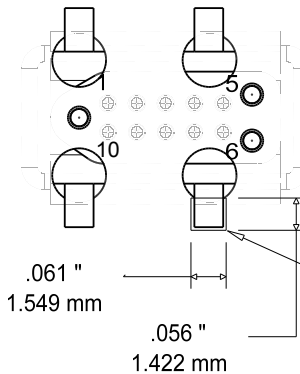
6. To prevent purchasing confusion, please specify DNL in your BOM.

PCB Footprint for J-LINK Needle Adapter

ZONE	A		12/2/10	MS
------	---	--	---------	----



PCB BOTTOM VIEW



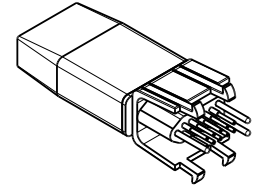
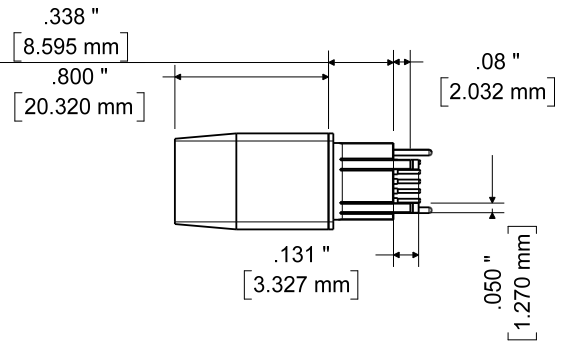
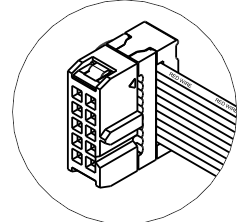
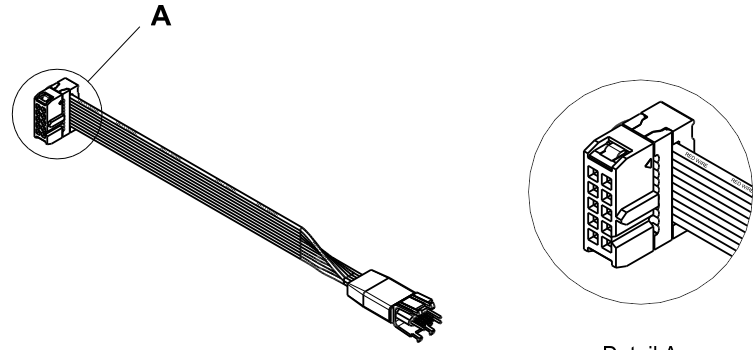
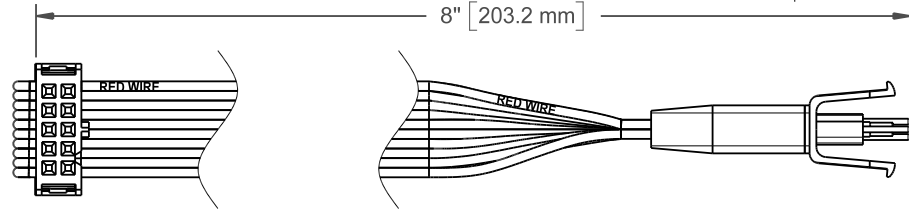
ALLOW A .061 x .056 SQUARE AREA OF CLEARANCE FOR EACH FOOT

Allow finger access from this side

SIZE A	FSCM NO.	DWG NO.	REV A
SCALE 7:1	SHEET 1 of 3		

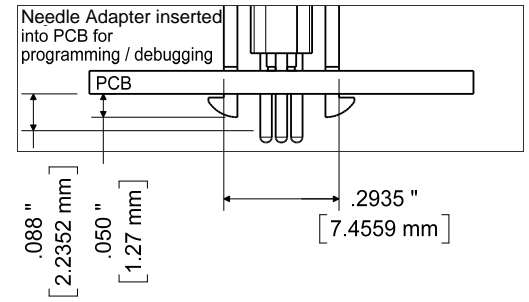
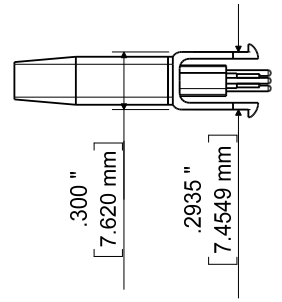
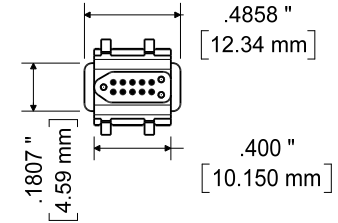
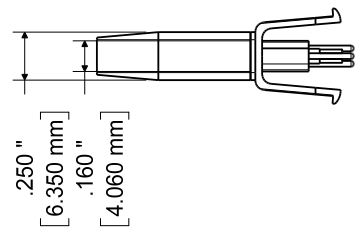
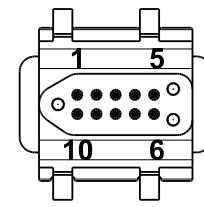
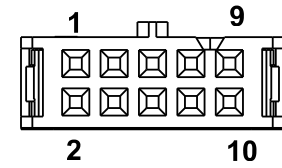
NOTE:
Dimensions subject to change

ZONE	A		12/2/10	MS
------	---	--	---------	----



END VIEW
2x5 0.1" PITCH
IDC CONNECTOR

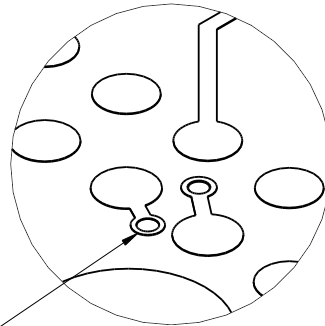
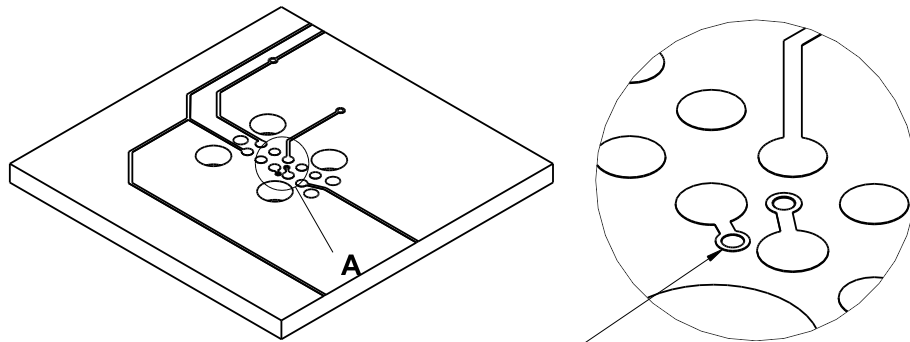
END VIEW
10 PIN
CONNECTOR



Protected by U.S. Patent Nos. 7,878,834, 8,057,248, International Patent Pending.

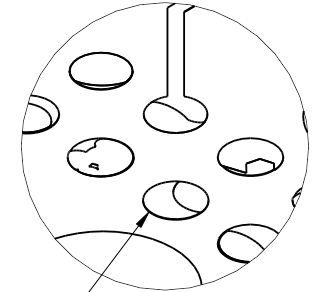
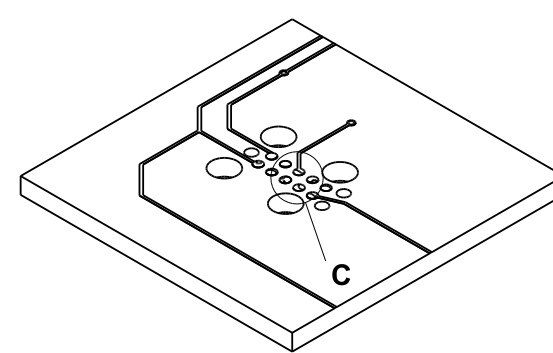
SIZE A	FSCM NO.	DWG NO.	REV A
SCALE		SHEET 2 Of 3	

Layout Problems to Avoid



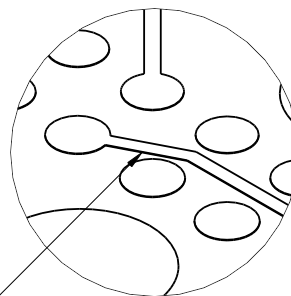
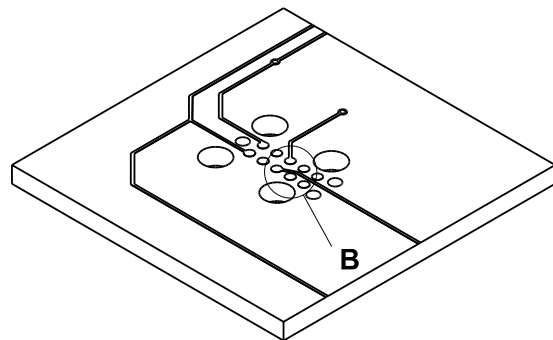
Detail A

Vias between contact pads



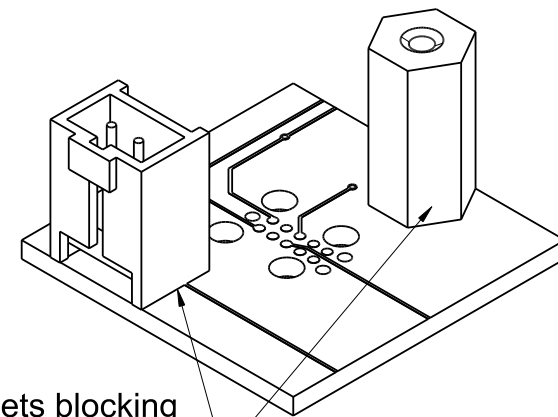
Detail C

Do not deposit solder paste on contact pads. View Solder Paste Mask (Solder Stencil) layer in pad-stack and eliminate any hole.



Detail B

Traces less than .02" away from contact pad or in "KEEP OUT" area



Large components blocking finger access to the Needle-Adapter's leg tabs.