



Chipsmall Limited consists of a professional team with an average of over 10 year of expertise in the distribution of electronic components. Based in Hongkong, we have already established firm and mutual-benefit business relationships with customers from,Europe,America and south Asia,supplying obsolete and hard-to-find components to meet their specific needs.

With the principle of "Quality Parts,Customers Priority,Honest Operation,and Considerate Service",our business mainly focus on the distribution of electronic components. Line cards we deal with include Microchip,ALPS,ROHM,Xilinx,Pulse,ON,Everlight and Freescale. Main products comprise IC,Modules,Potentiometer,IC Socket,Relay,Connector.Our parts cover such applications as commercial,industrial, and automotives areas.

We are looking forward to setting up business relationship with you and hope to provide you with the best service and solution. Let us make a better world for our industry!



Contact us

Tel: +86-755-8981 8866 Fax: +86-755-8427 6832

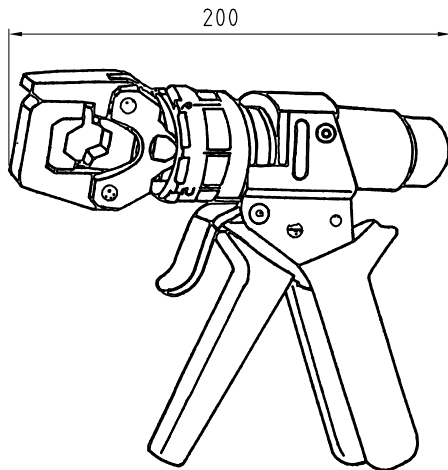
Email & Skype: info@chipsmall.com Web: www.chipsmall.com

Address: A1208, Overseas Decoration Building, #122 Zhenhua RD., Futian, Shenzhen, China



LDC	DIST	REVISIONS					
		P	LTR	DESCRIPTION	DATE	DWN	APVD
-	-	E1		ECR-14-011049	22JUL14	LS	GS

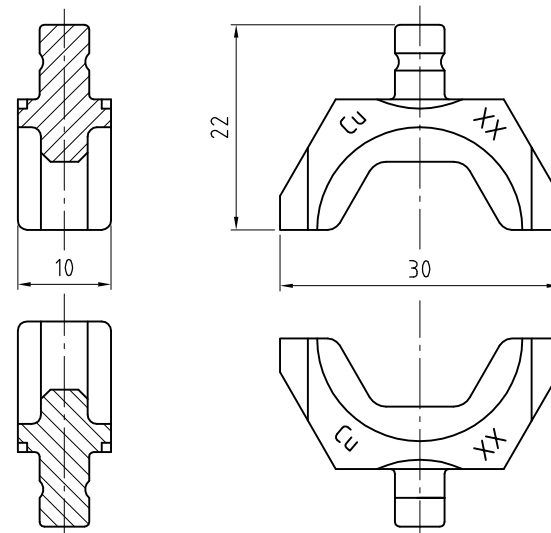
HYDRAULIC HANDTOOL, PRESS CAPACITY 30 kN
 HYDRAULISCHE HANDZANGE, PRESSKRAFT 30 kN
 (POS. 2 AS SHOWN / wie dargestellt)
 TYPE HP30



GENERAL DATA
 HYDRAULIC HAND-OPERATED TOOL
 HP 30 WITH H-COMPRESSION HEAD,
 ROTATING 360°
 - SINGLE PISTON PUMP
 - FOR ONE HAND OPERATION
 - AUTO SAFETY RELIEFVALVE TO
 AVOID VERPRESSURE
 - FORCE OF PRESSURE: 35 kN

Allgemeine Daten
 Hydraulische Handzange HP 30
 mit H-Preßkopf, 360° drehbar
 - Ein-Kolben-Pumpe
 - Für Einhandbenutzung
 - Automatisches Überdruck-Sicher-
 heitsventil
 - Preßkraft: 35 kN

HEX DIE SET FOR HYDRAULIC HANDTOOL 30 kN, CONSISTING OF 2 HEX DIE SET
 COMPONENTS (AS SHOWN) / SECHSKANT-PRESSEINSATZ FÜR HYDR. HANDZANGE
 30 kN, BESTEHEND AUS 2 PRESSEINSATZ-KOMPONENTEN (WIE GEZEICHNET)



10	2,5 SQ.MM	-	9-1105653-8	D	OBSOLETE	BLACK / BRONZED
9	70 SQ.MM	16	8-1105653-8	C	HEX DIE SET, 70MM 46235	BLACK / BRONZED
8	50 SQ.MM	14	7-1105653-8	B	HEX DIE SET, 50MM 46235	BLACK / BRONZED
7	35 SQ.MM	12	6-1105653-8	B	HEX DIE SET, 35MM 46235	BLACK / BRONZED
6	25 SQ.MM	10	5-1105653-8	B	HEX DIE SET, 25MM 46235	BLACK / BRONZED
5	16 SQ.MM	8	4-1105653-8	B	HEX DIE SET, 16MM 46235	BLACK / BRONZED
4	10 SQ.MM	6	3-1105653-8	B	HEX DIE SET, 10MM 46235	BLACK / BRONZED
3	6 SQ.MM	5	2-1105653-8	B	HEX DIE SET, 6MM 46235	BLACK / BRONZED
2	SET 1	-	1-1105653-8	C	HYDRAULIC HANDTOOL 30 kN	GREEN / BLACK
1	4 SQ.MM	-	1105653-8	D	OBSOLETE	BLACK / BRONZED

POS	SECTION / Querschnitt	INDEX / Kenn- zeichen	TE P/N	REV	DESCRIPTION/BEZEICHNUNG	COLOUR/FINISH FARBE/OBERFLAECHE

1. PACKAGING
 - TRANSPORT CASE
 345 x 270 x 90MM

Verpackt
 - Transportkoffer
 345 x 270 x 90mm

2. CUSTOMER MANUAL WILL BE
 INCLUDED IN CASE,
 IN LANGUAGE ENGLISH AND
 GERMAN
 Bedienungsanleitung ist dem
 Koffer beigelegt, in der
 Landessprache englisch und
 deutsch.



THIS DRAWING IS A CONTROLLED DOCUMENT.

DWN	B.Muth	25AUG09
CHK	L. Bauer	25AUG09
APVD	L. Bauer	25AUG09

NAME: L. Bauer

PRODUCT SPEC: -

APPLICATION SPEC: -

WEIGHT: -

SIZE: A3

CAGE CODE: 00779

DRAWING NO: C=1105653

RESTRICTED TO: -

CUSTOMER DRAWING

SCALE: -

SHEET: 1 OF 1

REV: E1