



Chipsmall Limited consists of a professional team with an average of over 10 year of expertise in the distribution of electronic components. Based in Hongkong, we have already established firm and mutual-benefit business relationships with customers from,Europe,America and south Asia,supplying obsolete and hard-to-find components to meet their specific needs.

With the principle of “Quality Parts,Customers Priority,Honest Operation,and Considerate Service”,our business mainly focus on the distribution of electronic components. Line cards we deal with include Microchip,ALPS,ROHM,Xilinx,Pulse,ON,Everlight and Freescale. Main products comprise IC,Modules,Potentiometer,IC Socket,Relay,Connector.Our parts cover such applications as commercial,industrial, and automotives areas.

We are looking forward to setting up business relationship with you and hope to provide you with the best service and solution. Let us make a better world for our industry!



Contact us

Tel: +86-755-8981 8866 Fax: +86-755-8427 6832

Email & Skype: info@chipsmall.com Web: www.chipsmall.com

Address: A1208, Overseas Decoration Building, #122 Zhenhua RD., Futian, Shenzhen, China



NOTES:

1. MATERIAL:

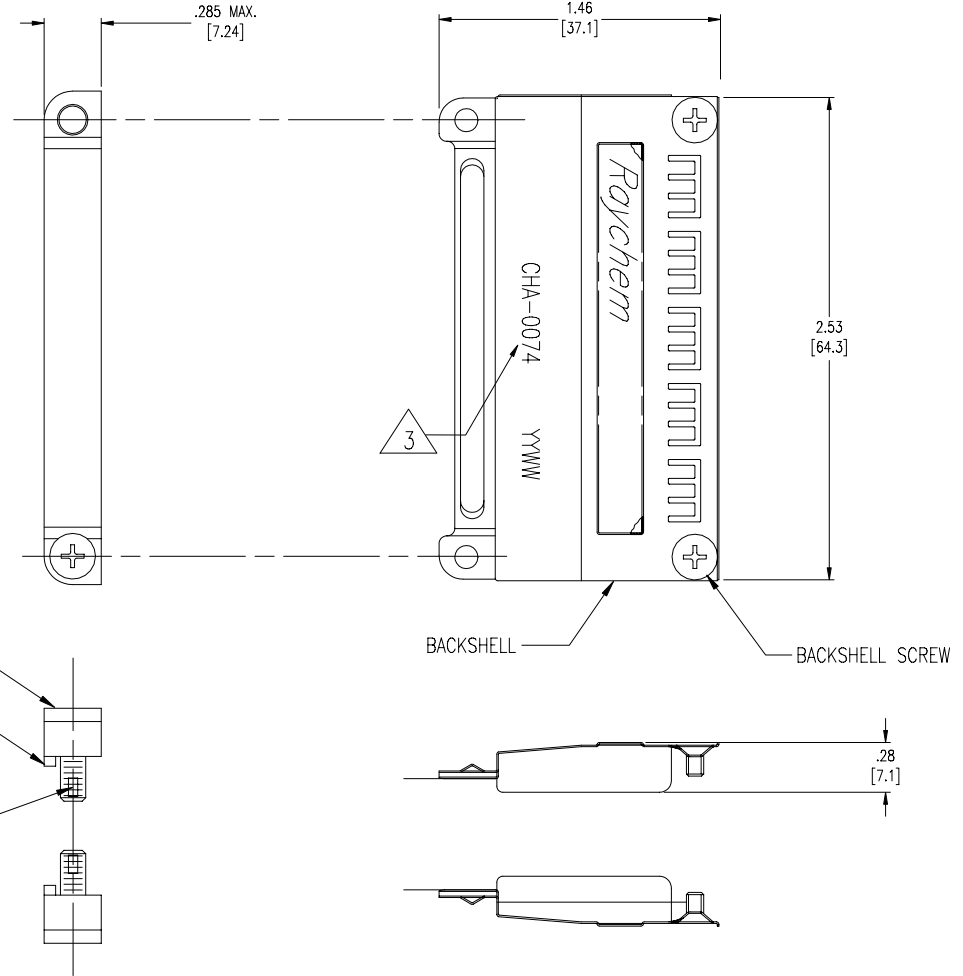
- A) BACKSHELL COPPER ALLOY 172 PER QQ-C-533B.
- B) BACKSHELL SCREW STAINLESS STEEL PER SAE-AMS-QQ-S-763, 300 SERIES
- C) CLAMP BAR ALUMINUM ALLOY
- D) CLAMP INSERT SILICONE ELASTOMER PER MIL-R-25988.
- E) CLAMP SCREW STAINLESS STEEL PER QQ-S-763, 300 SERIES

2. FINISH:

- A) BACKSHELL CADMIUM PLATED PER SAE-AMS-QQ-P-416
- B) BACKSHELL SCREW CADMIUM PLATED PER SAE-AMS-QQ-P-416
- C) CLAMP BAR CADMIUM PLATED PER SAE-AMS-QQ-P-416
- D) CLAMP SCREW CADMIUM PLATED PER SAE-AMS-QQ-P-416

3 RAYCHEM PART NUMBER AND DATE CODE ARE STAMPED APPROXIMATELY AS SHOWN.

REVISIONS			
LTR	DESCRIPTION	DATE	APPROVED
A	REVISED PER ECN T-17673	92 AUG 10	J.B.
B	REDRAWN PER DCR# T-31338	10/21/2002	M.HIGGY



SPECIFICATION CONTROL DRAWING

UNLESS OTHERWISE SPECIFIED DIMENSIONS ARE IN INCHES. METRIC DIMENSIONS ARE IN BRACKETS. DECIMALS .XXX ±.005 { .13 mm } .XX ±.02 { .5 mm } .X ± ANGLES WEIGHT: .046 LBS. (20.86 GRM.) MAX.	DRAWN	ZS.ORBAN	9/5/2002	tyco Electronics Raychem Products 305 Constitution Drive Menlo Park, CA. 94025 USA	
	CHECKED				TITLE
	APPROVED				BACKSHELL, RECEPTACLE, EME, FCC. 2" CADMIUM PLATED, MTC SERIES
	APPROVED	M.HIGGY	9/5/2002	CAD NAME	T31338.DWG
	THIRD ANGLE PROJECTION			SIZE C CODE IDENT. NO. 06090 DWG. NO. CHA-0074 REV B DO NOT SCALE THIS DRAWING SHEET 1 OF 1	

If this document is printed it becomes uncontrolled.
Check for the latest revision.