



Chipsmall Limited consists of a professional team with an average of over 10 year of expertise in the distribution of electronic components. Based in Hongkong, we have already established firm and mutual-benefit business relationships with customers from,Europe,America and south Asia,supplying obsolete and hard-to-find components to meet their specific needs.

With the principle of "Quality Parts,Customers Priority,Honest Operation,and Considerate Service",our business mainly focus on the distribution of electronic components. Line cards we deal with include Microchip,ALPS,ROHM,Xilinx,Pulse,ON,Everlight and Freescale. Main products comprise IC,Modules,Potentiometer,IC Socket,Relay,Connector.Our parts cover such applications as commercial,industrial, and automotives areas.

We are looking forward to setting up business relationship with you and hope to provide you with the best service and solution. Let us make a better world for our industry!



Contact us

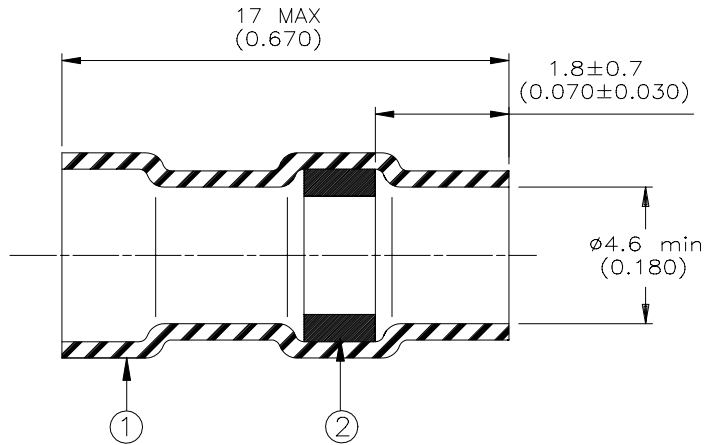
Tel: +86-755-8981 8866 Fax: +86-755-8427 6832

Email & Skype: info@chipsmall.com Web: www.chipsmall.com

Address: A1208, Overseas Decoration Building, #122 Zhenhua RD., Futian, Shenzhen, China



SPECIFICATION CONTROL DRAWING



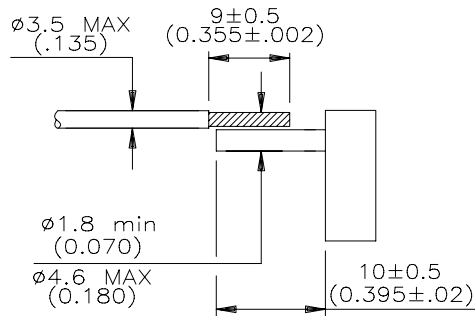
MATERIALS

- 1. INSULATION SLEEVE: Heat-shrinkable, transparent blue, radiation cross-linked modified polyvinylidene fluoride.
- 2. SOLDER PREFORM WITH FLUX:
 - SOLDER: TYPE Sn63 per ANSI-J-STD-006.
 - FLUX: TYPE ROL1 per ANSI-J-STD-004.

APPLICATION

- 1. These controlled soldering devices are designed for termination of a wire to the lead of an electrical component or to the terminal of a connector.
- 2 Temperature range: -55°C to +150°C.

For best results, prepare the wire as shown:



* A trademark of Raychem Corporation.

Raychem		THERMOFIT DEVICES	Raychem Corporation 300 Constitution Drive Menlo Park, CA 94025 USA	TITLE: SOLDERSLEEVE* WIRE TERMINATOR			
UNLESS OTHERWISE SPECIFIED DIMENSIONS ARE IN MILLIMETERS. INCHES DIMENSIONS ARE BETWEEN BRACKETS.				DOCUMENT NO: D-101-45			
TOLERANCES: 0.00 N/A 0.0 N/A 0 N/A	ANGLES: N/A ROUGHNESS IN MICRON	Raychem reserves the right to amend this drawing at any time. Users should evaluate the suitability of the product for their application.		DCR NUMBER: D980918		REPLACES: D10145	
DRAWN BY: M. FORONDA	DATE: 07/24/98	PROD. REV. F	DOC ISSUE: 1	SCALE: None	SIZE: A	SHEET: 1 of 1	

If this document is printed it becomes uncontrolled. Check for the latest revision.