



Chipsmall Limited consists of a professional team with an average of over 10 year of expertise in the distribution of electronic components. Based in Hongkong, we have already established firm and mutual-benefit business relationships with customers from,Europe,America and south Asia,supplying obsolete and hard-to-find components to meet their specific needs.

With the principle of “Quality Parts,Customers Priority,Honest Operation,and Considerate Service”,our business mainly focus on the distribution of electronic components. Line cards we deal with include Microchip,ALPS,ROHM,Xilinx,Pulse,ON,Everlight and Freescale. Main products comprise IC,Modules,Potentiometer,IC Socket,Relay,Connector.Our parts cover such applications as commercial,industrial, and automotives areas.

We are looking forward to setting up business relationship with you and hope to provide you with the best service and solution. Let us make a better world for our industry!



Contact us

Tel: +86-755-8981 8866 Fax: +86-755-8427 6832

Email & Skype: info@chipsmall.com Web: www.chipsmall.com

Address: A1208, Overseas Decoration Building, #122 Zhenhua RD., Futian, Shenzhen, China



THIS DRAWING IS UNPUBLISHED. RELEASED FOR PUBLICATION
 © COPYRIGHT BY TYCO ELECTRONICS CORPORATION. ALL RIGHTS RESERVED.

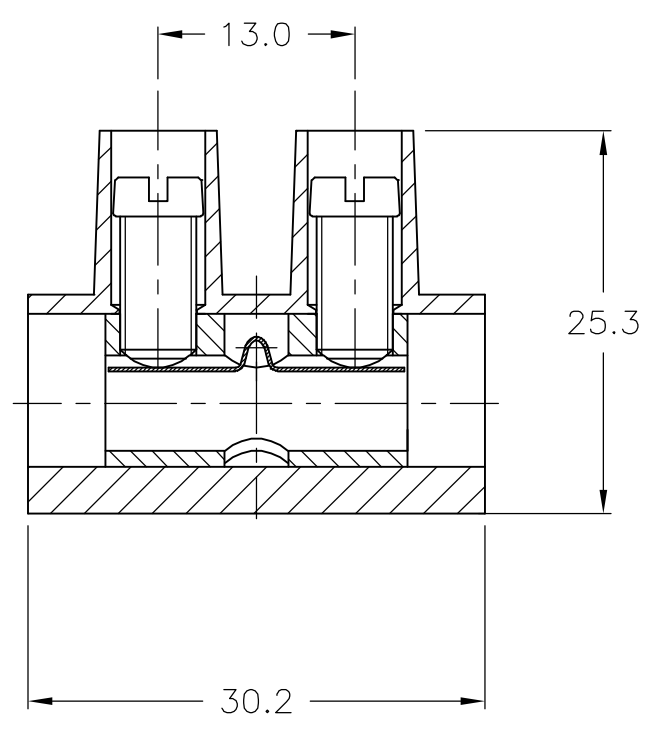
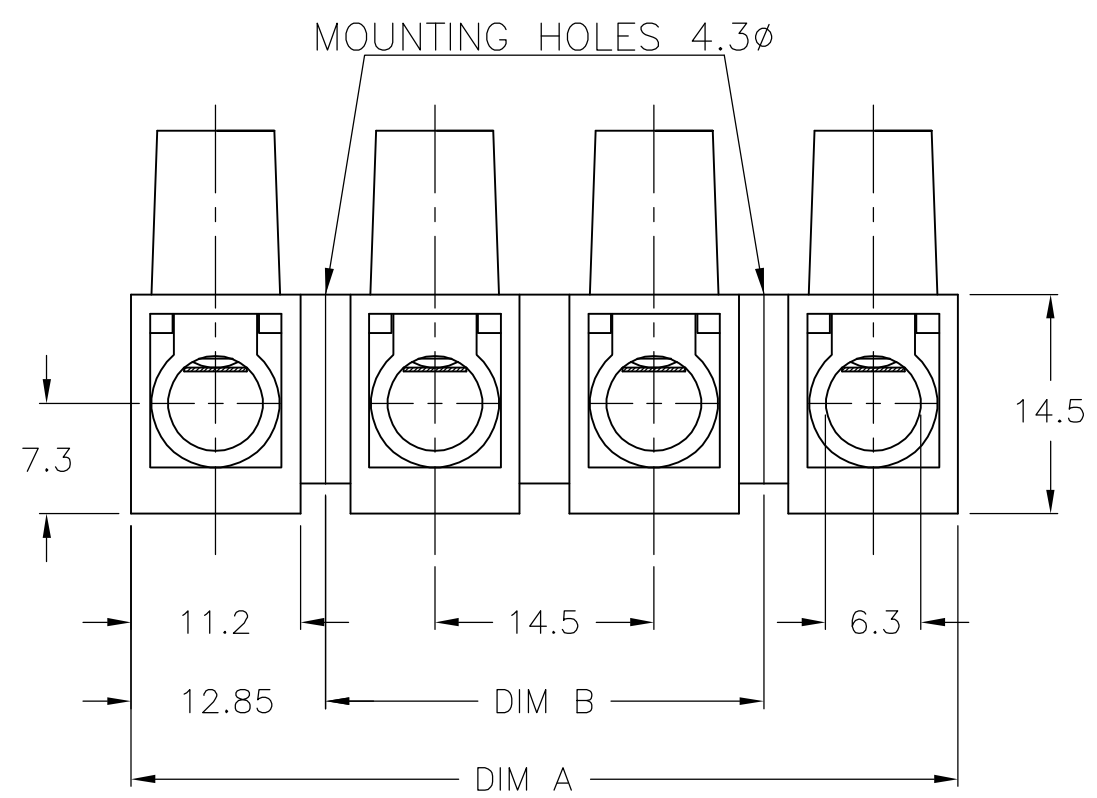
LOC	DIST	REVISIONS					
FT	0	P	LTR	DESCRIPTION	DATE	DWN	APVD
			01	REVISED PER ECO-06-26065	11/9/06	SS	CR

NOTES:

MATERIAL:
 HOUSING: POLYAMIDE 6, UL94V-2, COLOR OFF WHITE.
 CONTACT: BRASS, TIN PLATED.
 WIRE PROTECTOR: STAINLESS STEEL.
 SCREW: M5, STEEL, ZINC CHROMATE.

ELECTRICAL:
 MAX CURRENT: 65A (UR) 70A (CSA)
 OPERATING VOLTAGE: 300V.
 WIRE RANGE: 6-14 AWG (UR) 6-22 AWG (CSA)
 DIELECTRIC WITHSTAND: 6000V.

ENVIRONMENTAL:
 CONTINUOUS WORKING TEMP.: -35°C TO 100°C.



145	170.7	12	TSB200012DS	8-1437387-1
130.5	156.2	11	TSB200011DS	-
116	141.7	10	TSB200010DS	7-1437387-8
101.5	127.2	9	TSB200009DS	7-1437387-7
87	112.7	8	TSB200008DS	7-1437387-6
72.5	98.2	7	TSB200007DS	-
58	83.7	6	TSB200006DS	7-1437387-5
43.5	69.2	5	TSB200005DS	7-1437387-3
29	54.7	4	TSB200004DS	7-1437387-2
14.5	40.2	3	TSB200003DS	7-1437387-0
-	25.7	2	TSB200002DS	6-1437387-8
-	11.2	1	TSB200001DS	6-1437387-7
DIM B	DIM A	NO OF POS	CATALOG NUMBER	PART NUMBER

THIS DRAWING IS A CONTROLLED DOCUMENT.		DWN S SCHLEGEL 2/9/04	<p>Tyco Electronics Corporation Harrisburg, Pa 17105-3608</p> <p>NOT the LATEST REVISION</p>	
DIMENSIONS: mm		CHK C RICHARD 2/9/04		
TOLERANCES UNLESS OTHERWISE SPECIFIED:		APVD C RICHARD 2/9/04		
0 PLC ± - 1 PLC ± - 2 PLC ± - 3 PLC ± - 4 PLC ± - ANGLES ± -		NAME C RICHARD		
MATERIAL		PRODUCT SPEC	14.5MM PITCH WITH WIRE PROTECTOR	
FINISH		APPLICATION SPEC	SIZE A3	CAGE CODE 00779
		WEIGHT	DRAWING NO C-6-1437387-7	RESTRICTED TO
CUSTOMER DRAWING			SCALE 2:1	SHEET 1 OF 1
			REV 01	