



Chipsmall Limited consists of a professional team with an average of over 10 year of expertise in the distribution of electronic components. Based in Hongkong, we have already established firm and mutual-benefit business relationships with customers from,Europe,America and south Asia,supplying obsolete and hard-to-find components to meet their specific needs.

With the principle of “Quality Parts,Customers Priority,Honest Operation,and Considerate Service”,our business mainly focus on the distribution of electronic components. Line cards we deal with include Microchip,ALPS,ROHM,Xilinx,Pulse,ON,Everlight and Freescale. Main products comprise IC,Modules,Potentiometer,IC Socket,Relay,Connector.Our parts cover such applications as commercial,industrial, and automotives areas.

We are looking forward to setting up business relationship with you and hope to provide you with the best service and solution. Let us make a better world for our industry!



Contact us

Tel: +86-755-8981 8866 Fax: +86-755-8427 6832

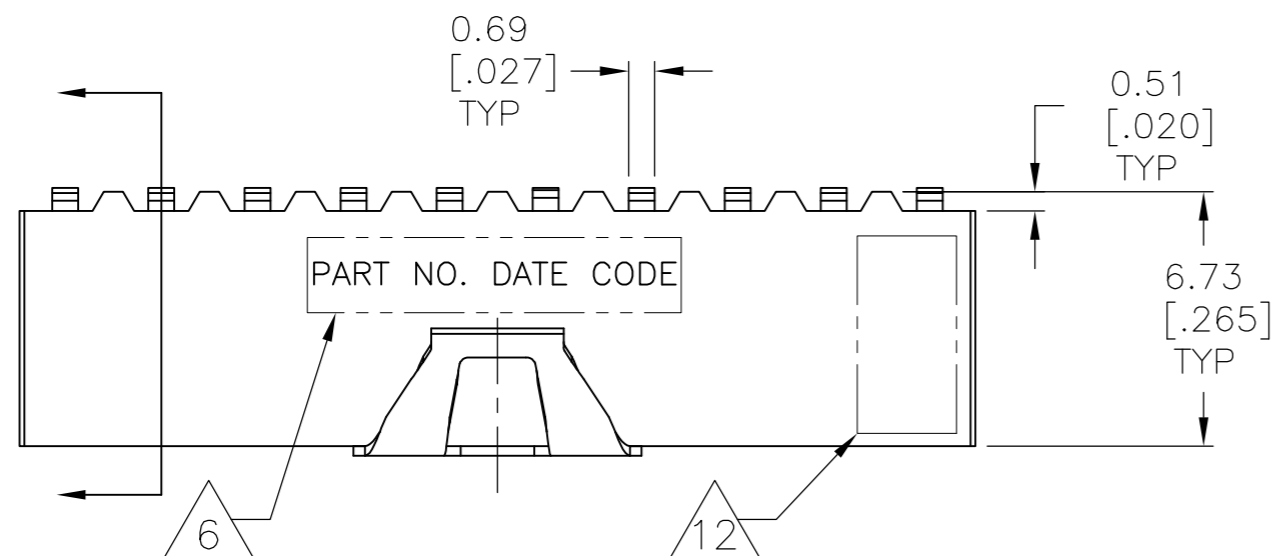
Email & Skype: info@chipsmall.com Web: www.chipsmall.com

Address: A1208, Overseas Decoration Building, #122 Zhenhua RD., Futian, Shenzhen, China



THIS DRAWING IS UNPUBLISHED. RELEASED FOR PUBLICATION
 © COPYRIGHT - By - ALL RIGHTS RESERVED.

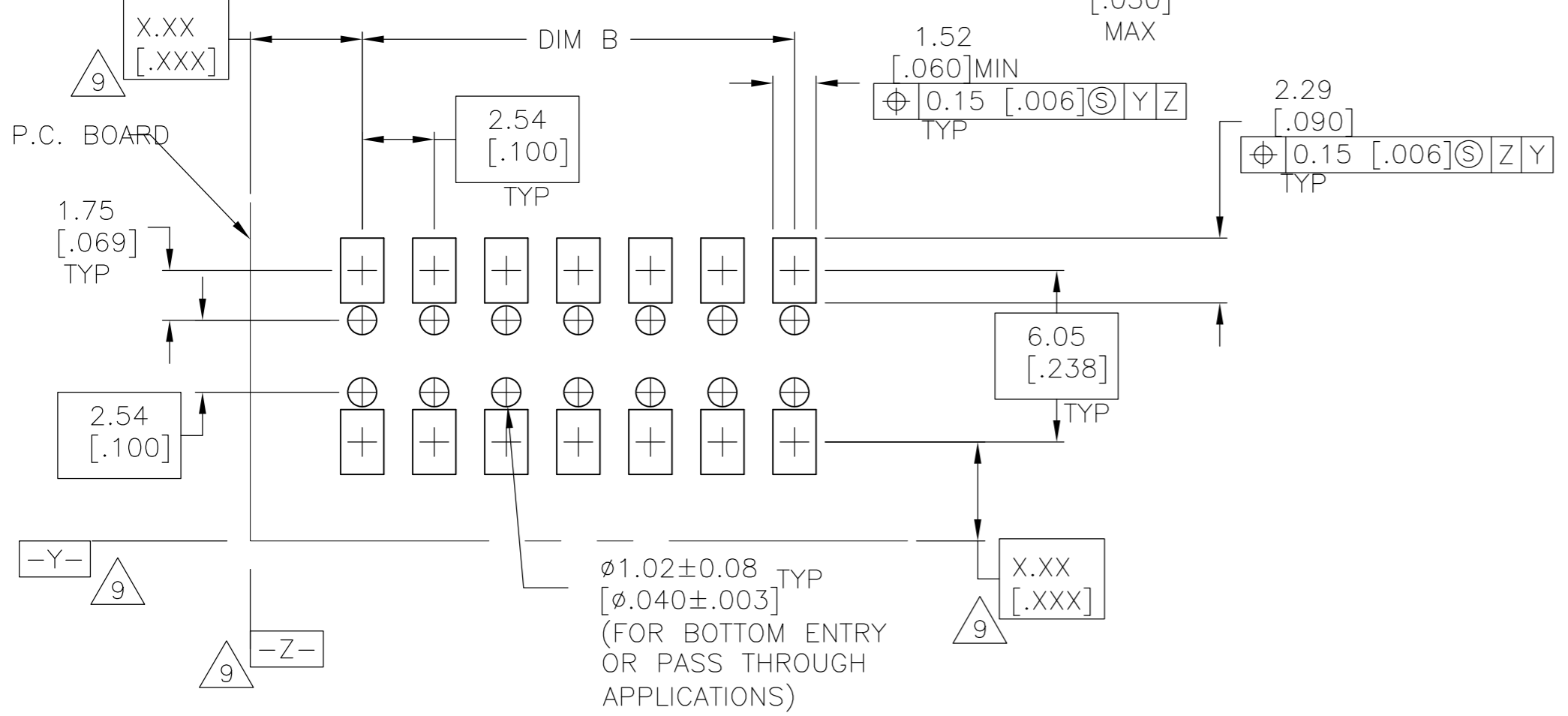
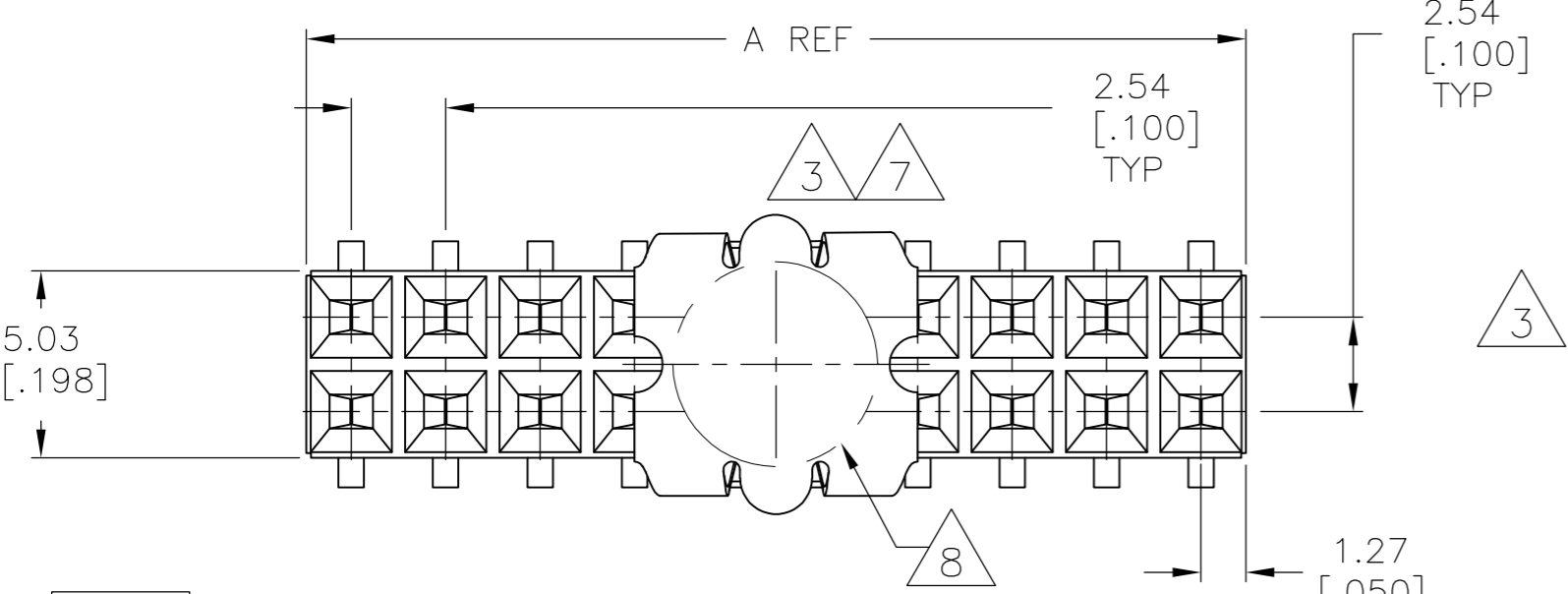
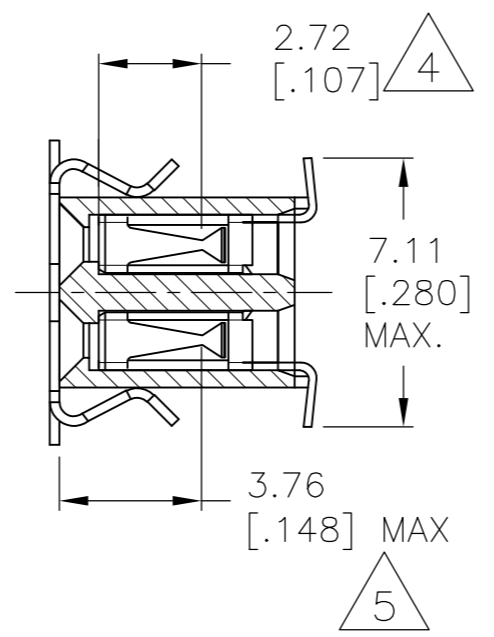
LOC	DIST	REVISIONS					
AD	00	P	LTR	DESCRIPTION	DATE	DWN	APVD
		F5		REVISED PER ECO-13-005565	03APR13	KH	JO



- 13 NO PART NUMBER REQUIRED ON THIS PART.
- 14 CONTACTS: 0.76µm [.000030] MIN GOLD ON CONTACT AREA ONLY, 3.81-7.62µm [.000150-.000300] MATTE TIN ON SOLDER TINES, ALL OVER 1.27µm [.000050] MIN NICKEL.
- 15 ROHS 2002/95/EC COMPLIANT
- 16 SUPERSEDED BY 5-147741-6
- 17 SUPERSEDED BY 5-147741-7
- 18 SUPERSEDED BY 5-147741-8
- 19 SUPERSEDED BY 8-147741-6

SEE SHEET 2 FOR P/N'S -51 THRU -90

99.06 [3.900]	101.60 [4.000]	80	4-147741-0
96.52 [3.800]	99.06 [3.900]	78	3-147741-9
93.98 [3.700]	96.52 [3.800]	76	3-147741-8
91.44 [3.600]	93.98 [3.700]	74	3-147741-7
88.90 [3.500]	91.44 [3.600]	72	3-147741-6
86.36 [3.400]	88.90 [3.500]	70	3-147741-5
83.82 [3.300]	86.36 [3.400]	68	3-147741-4
81.28 [3.200]	83.82 [3.300]	66	3-147741-3
78.74 [3.100]	81.28 [3.200]	64	3-147741-2
76.20 [3.000]	78.74 [3.100]	62	3-147741-1
73.66 [2.900]	76.20 [3.000]	60	3-147741-0
71.12 [2.800]	73.66 [2.900]	58	2-147741-9
68.58 [2.700]	71.12 [2.800]	56	2-147741-8
66.04 [2.600]	68.58 [2.700]	54	2-147741-7
63.50 [2.500]	66.04 [2.600]	52	2-147741-6
60.96 [2.400]	63.50 [2.500]	50	2-147741-5
58.42 [2.300]	60.96 [2.400]	48	2-147741-4
55.88 [2.200]	58.42 [2.300]	46	2-147741-3
53.34 [2.100]	55.88 [2.200]	44	2-147741-2
50.80 [2.000]	53.34 [2.100]	42	2-147741-1
48.26 [1.900]	50.80 [2.000]	40	2-147741-0
45.72 [1.800]	48.26 [1.900]	38	1-147741-9
43.18 [1.700]	45.72 [1.800]	36	1-147741-8
40.64 [1.600]	43.18 [1.700]	34	1-147741-7
38.10 [1.500]	40.64 [1.600]	32	1-147741-6
35.56 [1.400]	38.10 [1.500]	30	1-147741-5
33.02 [1.300]	35.56 [1.400]	28	1-147741-4
30.48 [1.200]	33.02 [1.300]	26	1-147741-3
27.94 [1.100]	30.48 [1.200]	24	1-147741-2
25.40 [1.000]	27.94 [1.100]	22	1-147741-1
22.86 [.900]	25.40 [1.000]	20	1-147741-0
20.32 [.800]	22.86 [.900]	18	147741-9
17.78 [.700]	20.32 [.800]	16	147741-8
15.24 [.600]	17.78 [.700]	14	147741-7
12.70 [.500]	15.24 [.600]	12	147741-6
10.16 [.400]	12.70 [.500]	10	147741-5
7.62 [.300]	10.16 [.400]	8	147741-4
5.08 [.200]	7.62 [.300]	6	147741-3
2.54 [.100]	5.08 [.200]	4	147741-2
	2.54 [.100]	2	147741-1



RECOMMENDED PC BOARD PAD PATTERN
 0.20 [.008] THICK STENCIL

- 1 HOUSING: GLASS FILLED, FLAME RETARDANT POLYESTER, BLACK CONTACTS: PHOSPHOR BRONZE. VACUUM COVER: STAINLESS STEEL
- 2 CONTACTS: 0.76µm [.000030] MIN GOLD ON CONTACT AREA ONLY, 3.81-7.62µm [.000150-.000300] BRIGHT TIN-LEAD ON SOLDER TINES, ALL OVER 1.27µm [.000050] MIN NICKEL.
- 3 DIMENSION APPLIES TO HOUSING CAVITY CENTERLINES ONLY.
- 4 POINT OF MEASUREMENT FOR PLATING THICKNESS.
- 5 POINT OF CONTACT DIMENSION.
- 6 MARK PART NUMBER AND DATE CODE IN APPROXIMATE LOCATION SHOWN, EITHER SIDE.
- 7 TOLERANCE IS NON-CUMULATIVE.
- 8 5.5 [.217] MIN TARGET AREA FOR VACUUM PICK-UP COVERS TO BE REMOVED AFTER SOLDERING.
- 9 DATUMS AND BASIC DIMENSIONS ESTABLISHED BY CUSTOMER.
- 10. PACKAGED IN TUBES
- 11 FOR 2 POS, DATE CODE IS STAMPED OPPOSITE SIDE OF TE LOGO.
- 12 TE TRADEMARK AND CSA LOGO ARE MOLDED INTO HOUSING.

11, 13 OBSOLETE

THIS DRAWING IS A CONTROLLED DOCUMENT.		DWN M.BINNER 20MAY02		TE Connectivity
DIMENSIONS: mm [INCHES]		CHK J.OLSON 20MAY02		
TOLERANCES UNLESS OTHERWISE SPECIFIED:		APVD J.OLSON 20MAY02	NAME RCPT ASSY, MOD IV, DOUBLE ROW, VERTICAL, DUAL ENTRY, .100X.100 C/L, SURFACE MOUNT, AMPMODU	
0 PLC ± -		PRODUCT SPEC 108-25022	SIZE A2	CAGE CODE 00779
1 PLC ± -		APPLICATION SPEC 114-25018	DRAWING NO C=147741	RESTRICTED TO -
2 PLC ± 0.13 [.005]		WEIGHT -	SCALE 5:1	SHEET 1 of 2
3 PLC ± 0.013 [.0005]		CUSTOMER DRAWING	REV F5	
4 PLC ± -				
ANGLES ± -				
FINISH SEE TABLE				

THIS DRAWING IS UNPUBLISHED. RELEASED FOR PUBLICATION
 © COPYRIGHT - By - ALL RIGHTS RESERVED.

LOC	DIST	REVISIONS			
P	LTR	DESCRIPTION	DATE	DWN	APVD
-	-	SEE SHEET 1	-	-	-

99.06	[3.900]	101.60	[4.000]	80	9-147741-0
96.52	[3.800]	99.06	[3.900]	78	8-147741-9
93.98	[3.700]	96.52	[3.800]	76	8-147741-8
91.44	[3.600]	93.98	[3.700]	74	8-147741-7
88.90	[3.500]	91.44	[3.600]	72	8-147741-6
86.36	[3.400]	88.90	[3.500]	70	8-147741-5
83.82	[3.300]	86.36	[3.400]	68	8-147741-4
81.28	[3.200]	83.82	[3.300]	66	8-147741-3
78.74	[3.100]	81.28	[3.200]	64	8-147741-2
76.20	[3.000]	78.74	[3.100]	62	8-147741-1
73.66	[2.900]	76.20	[3.000]	60	8-147741-0
71.12	[2.800]	73.66	[2.900]	58	7-147741-9
68.58	[2.700]	71.12	[2.800]	56	7-147741-8
66.04	[2.600]	68.58	[2.700]	54	7-147741-7
63.50	[2.500]	66.04	[2.600]	52	7-147741-6
60.96	[2.400]	63.50	[2.500]	50	7-147741-5
58.42	[2.300]	60.96	[2.400]	48	7-147741-4
55.88	[2.200]	58.42	[2.300]	46	7-147741-3
53.34	[2.100]	55.88	[2.200]	44	7-147741-2
50.80	[2.000]	53.34	[2.100]	42	7-147741-1
48.26	[1.900]	50.80	[2.000]	40	7-147741-0
45.72	[1.800]	48.26	[1.900]	38	6-147741-9
43.18	[1.700]	45.72	[1.800]	36	6-147741-8
40.64	[1.600]	43.18	[1.700]	34	6-147741-7
38.10	[1.500]	40.64	[1.600]	32	6-147741-6
35.56	[1.400]	38.10	[1.500]	30	6-147741-5
33.02	[1.300]	35.56	[1.400]	28	6-147741-4
30.48	[1.200]	33.02	[1.300]	26	6-147741-3
27.94	[1.100]	30.48	[1.200]	24	6-147741-2
25.40	[1.000]	27.94	[1.100]	22	6-147741-1
22.86	[.900]	25.40	[1.000]	20	6-147741-0
20.32	[.800]	22.86	[.900]	18	5-147741-9
17.78	[.700]	20.32	[.800]	16	5-147741-8
15.24	[.600]	17.78	[.700]	14	5-147741-7
12.70	[.500]	15.24	[.600]	12	5-147741-6
10.16	[.400]	12.70	[.500]	10	5-147741-5
7.62	[.300]	10.16	[.400]	8	5-147741-4
5.08	[.200]	7.62	[.300]	6	5-147741-3
2.54	[.100]	5.08	[.200]	4	5-147741-2
		2.54	[.100]	2	5-147741-1

14
15

13
13
13
13

11, 13 OBSOLETE

FINISH	B	A	NO OF POSN	PART NUMBER
--------	---	---	------------	-------------

THIS DRAWING IS A CONTROLLED DOCUMENT.		DWN M.BINNER 20MAY02	STE TE Connectivity	
DIMENSIONS: mm [INCHES]		CHK J.OLSON 20MAY02		
TOLERANCES UNLESS OTHERWISE SPECIFIED:		APVD J.OLSON 20MAY02	NAME RCPT ASSY, MOD IV, DOUBLE ROW, VERTICAL, DUAL ENTRY, .100X.100 C/L, SURFACE MOUNT, AMPMODU	
0 PLC ± - 1 PLC ± - 2 PLC ± 0.13[.005] 3 PLC ± 0.013[.0005] 4 PLC ± - ANGLES ± -		PRODUCT SPEC 108-25022	SIZE A2	CAGE CODE 00779
MATERIAL 1		APPLICATION SPEC 114-25018	DRAWING NO C=147741	RESTRICTED TO -
FINISH SEE TABLE		WEIGHT -	SCALE 5:1	SHEET 2 OF 2
		CUSTOMER DRAWING	REV F5	