



Chipsmall Limited consists of a professional team with an average of over 10 year of expertise in the distribution of electronic components. Based in Hongkong, we have already established firm and mutual-benefit business relationships with customers from,Europe,America and south Asia,supplying obsolete and hard-to-find components to meet their specific needs.

With the principle of “Quality Parts,Customers Priority,Honest Operation,and Considerate Service”,our business mainly focus on the distribution of electronic components. Line cards we deal with include Microchip,ALPS,ROHM,Xilinx,Pulse,ON,Everlight and Freescale. Main products comprise IC,Modules,Potentiometer,IC Socket,Relay,Connector.Our parts cover such applications as commercial,industrial, and automotives areas.

We are looking forward to setting up business relationship with you and hope to provide you with the best service and solution. Let us make a better world for our industry!



Contact us

Tel: +86-755-8981 8866 Fax: +86-755-8427 6832

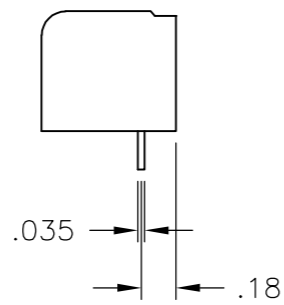
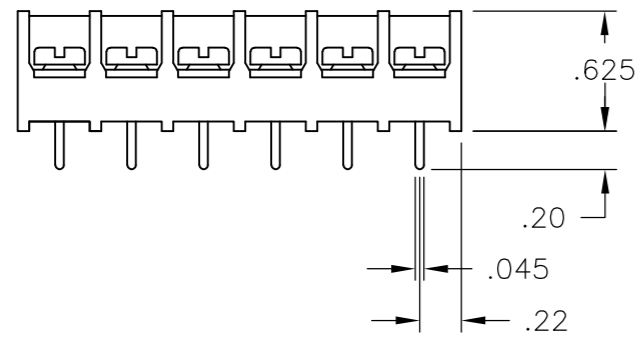
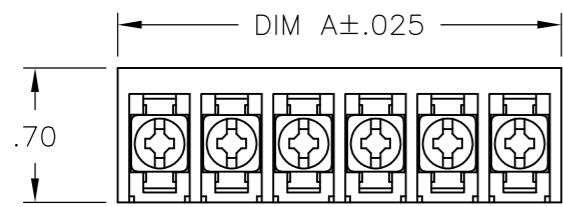
Email & Skype: info@chipsmall.com Web: www.chipsmall.com

Address: A1208, Overseas Decoration Building, #122 Zhenhua RD., Futian, Shenzhen, China



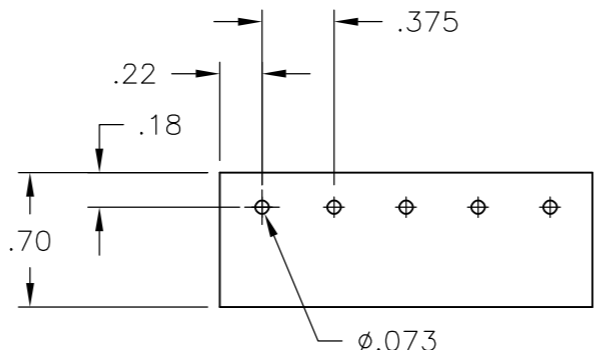
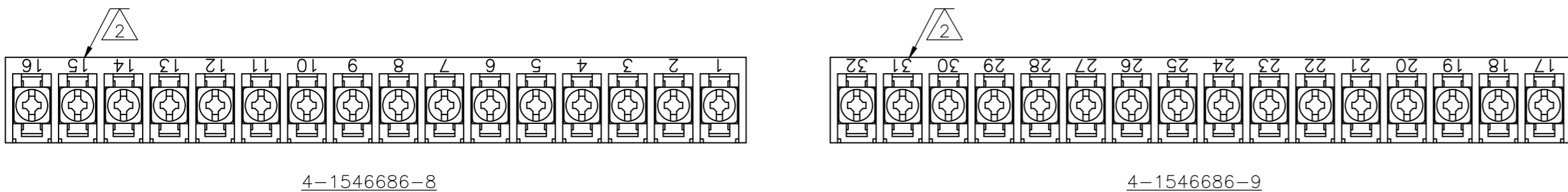
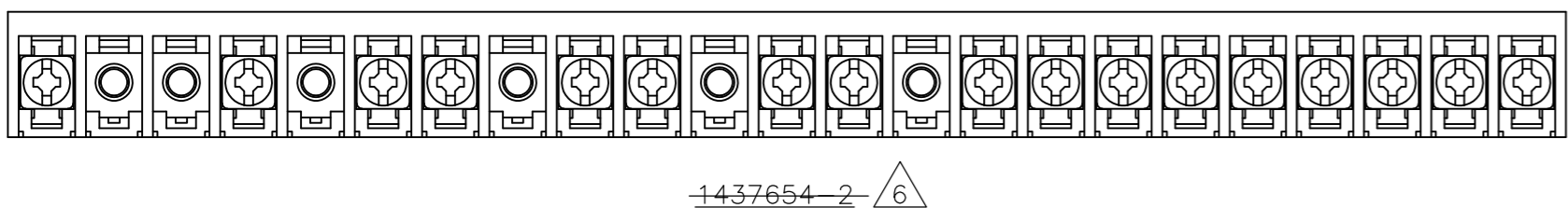
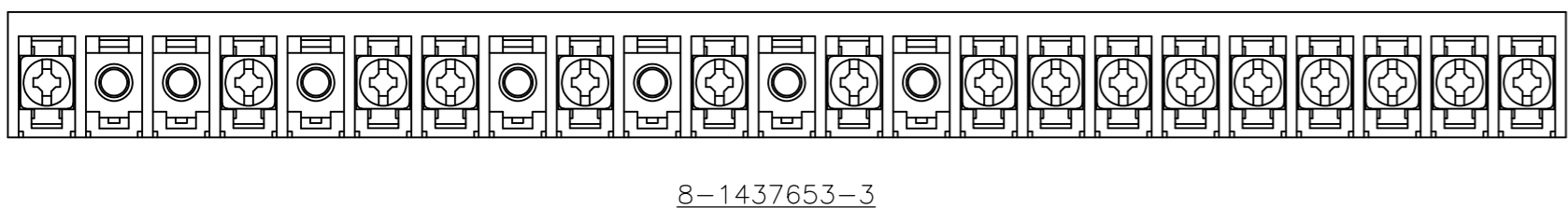
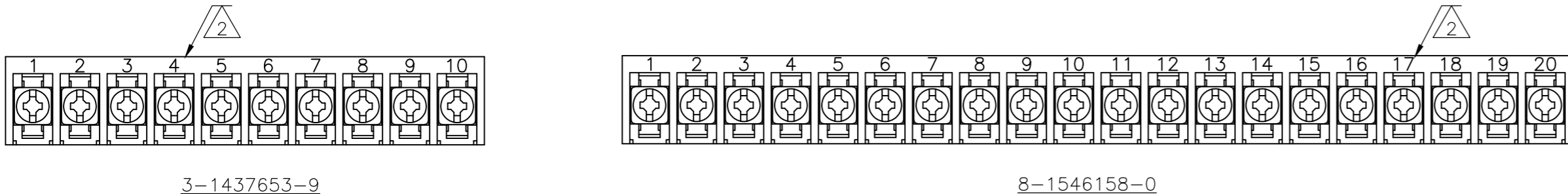
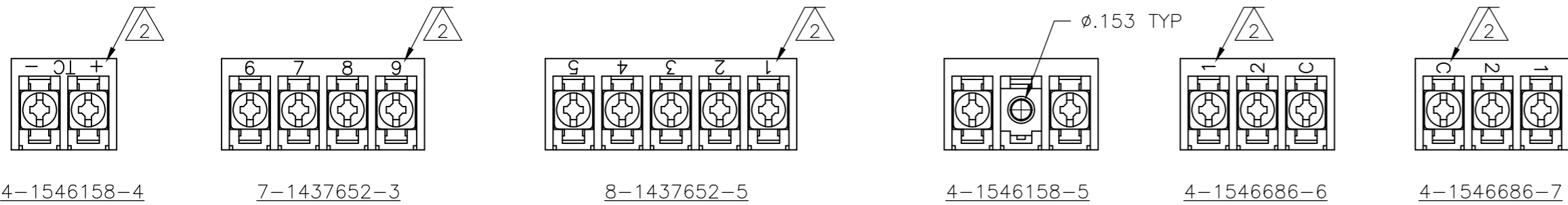
THIS DRAWING IS UNPUBLISHED. RELEASED FOR PUBLICATION
 © COPYRIGHT - By - ALL RIGHTS RESERVED.

LOC	DIST	REVISIONS					
FT	0	P	LTR	DESCRIPTION	DATE	DWN	APVD
		K5		REVISED PER ECO-11-015136	28JUL11	HMR	CR



DETAIL FOR P/N's 1-1546160-6, 1-1546160-7 AND 1-1546160-8

- 1 CAPTIVE SCREWS.
- 2 MARK WITH WHITE PERMANENT INK.
- 3 ALL SCREWS TO BE DRIVEN DOWN TO TERMINAL SURFACE.
- 4 NICKEL PLATED BRASS SCREWS.
- 5 PRELIMINARY PART NUMBER.
- 6 OBSOLETE PARTS: OBSOLETE CIS STREAMLINING PER D.RENAUD/D.SINISI



MATERIAL:
 HOUSING: THERMOPLASTIC, UL94V-0 BLACK.
 TERMINALS: BRIGHT TIN PLATED, COPPER ALLOY.
 SCREWS: 6-32, STEEL, ZINC PLATED WITH CLEAR CHROMATE.

ELECTRICAL:
 CURRENT RATING UL/CSA:
 CLASS C: 25A, 300V.
 CLASS D: 5A, 600V.
 WIRE RANGE: 12-22 AWG

MECHANICAL:
 RECOMMENDED TIGHTENING TORQUE: 7 IN-LBS.
 OPERATING TEMP.: 105°C MAX

NO OF POS	CATALOG NUMBER	PART NUMBER
30	6PCV-30-006	4-1546686-5
29	6PCV-29-006	1-1437656-2
28	6PCV-28-006	8-1546158-6
27	6PCV-27-006	8-1546158-5
26	6PCV-26-006	4-1437654-5
25	6PCV-25-006	4-1437654-1
24	6PCV-24-006	8-1546158-2
23	6PCV-23-006	4-1546686-3
22	6PCV-22-006	3-1437654-4
21	6PCV-21-006	3-1437654-1
20	6PCV-20-323	8-1546158-0
20	6PCV-20-006	1-1437654-9
19	6PCV-19-006	1-1437654-4
18	6PCV-18-006	1437654-7
17	6PCV-17-899	1437654-2
17	6PCV-17-006	9-1437653-8
16	6PCV-16-1389	4-1546686-9
16	6PCV-16-1388	4-1546686-8
16	6PCV-16-1047	8-1437653-3
16	6PCV-16-006	8-1437653-0
15	6PCV-15-1298	1-1546160-8
15	6PCV-15-006	7-1437653-4
14	6PCV-14-006	6-1437653-8
13	6PCV-13-1297	1-1546160-7
13	6PCV-13-006	6-1437653-3
12	6PCV-12-1296	1-1546160-6
12	6PCV-12-006	5-1437653-1
11	6PCV-11-006	4-1437653-5
10	6PCV-10-1269	3-1437653-9
10	6PCV-10-006	3-1437653-5
9	6PCV-09-002	1546262-3
9	6PCV-09-006	2-1437653-5
8	6PCV-08-1394	1546262-7
8	6PCV-08-1314	1-1437653-7
8	6PCV-08-006	1-1437653-3
7	6PCV-07-1399	1546262-9
7	6PCV-07-006	1437653-7
6	6PCV-06-1398	1546262-8
6	6PCV-06-002	1546262-4
6	6PCV-06-006	9-1437652-5
5	6PCV-05-002	5-1546686-0
5	6PCV-05-1267	8-1437652-5
5	6PCV-05-006	8-1437652-2
4	6PCV-04-1268	7-1437652-3
4	6PCV-04-1143	7-1437652-2
4	6PCV-04-006	6-1437652-7
3	6PCV-03-1385	4-1546686-7
3	6PCV-03-1384	4-1546686-6
3	6PCV-03-006	5-1437652-4
2	6PCV-02-1393	1546262-6
2	6PCV-02-807	4-1546158-5
2	6PCV-02-1313	4-1437652-5
2	6PCV-02-1216	4-1546158-4
2	6PCV-02-006	3-1437652-9

THIS DRAWING IS A CONTROLLED DOCUMENT.		DWN R BROWN 22APR03
DIMENSIONS: INCHES		CHK H WAKEEM 22APR03
TOLERANCES UNLESS OTHERWISE SPECIFIED:		APVD H WAKEEM 22APR03
0 PLC ± -		PRODUCT SPEC
1 PLC ± -		APPLICATION SPEC
2 PLC ± .02		
3 PLC ± .010		
4 PLC ± -		
ANGLES ± 1°		
MATERIAL		WEIGHT
FINISH		


TE Connectivity		NAME	
6PCV-XX-006		SIZE	
CAGE CODE	DRAWING NO	RESTRICTED TO	
A2 00779	C-3-1437652-9	-	
CUSTOMER DRAWING	SCALE 1:1	SHEET 1 of 2	REV K5

THIS DRAWING IS UNPUBLISHED. RELEASED FOR PUBLICATION
 © COPYRIGHT - By - ALL RIGHTS RESERVED.

LOC	DIST	REVISIONS					
FT	0	P	LTR	DESCRIPTION	DATE	DWN	APVD
		-		SEE SHEET 1	-	-	-

DIM A REF	NO OF POS	CATALOG NUMBER	PART NUMBER
3.061	8	6PCV-08-2006	6-1546686-0
1.936	5	6PCV-05-2006	5-1546686-9
.811	2	6PCV-02-2006	5-1546686-8
1.936	5	6PCV-05-006	5-1546686-7
1.186	3	6PCV-03-006-1	5-1546686-6

SEE FIGURE 

THIS DRAWING IS A CONTROLLED DOCUMENT.		DWN	R BROWN	22APR03	 TE Connectivity																	
DIMENSIONS: INCHES		CHK	H WAKEEM	22APR03																		
TOLERANCES UNLESS OTHERWISE SPECIFIED:		APVD	H WAKEEM	22APR03																		
<table border="0"> <tr><td>0 PLC</td><td>±</td><td>-</td></tr> <tr><td>1 PLC</td><td>±</td><td>-</td></tr> <tr><td>2 PLC</td><td>±</td><td>.02</td></tr> <tr><td>3 PLC</td><td>±</td><td>.010</td></tr> <tr><td>4 PLC</td><td>±</td><td>-</td></tr> <tr><td>ANGLES</td><td>±</td><td>1°</td></tr> </table>		0 PLC	±	-		1 PLC	±	-	2 PLC	±	.02	3 PLC	±	.010	4 PLC	±	-	ANGLES	±	1°	PRODUCT SPEC	NAME
0 PLC	±	-																				
1 PLC	±	-																				
2 PLC	±	.02																				
3 PLC	±	.010																				
4 PLC	±	-																				
ANGLES	±	1°																				
MATERIAL		APPLICATION SPEC		6PCV-XX-006																		
FINISH		WEIGHT	A2 00779		RESTRICTED TO																	
-		-	C=3-1437652-9		-																	
CUSTOMER DRAWING			SCALE	1:1	SHEET 2 of 2																	
			REV	K5																		

3-1437652-9