



Chipsmall Limited consists of a professional team with an average of over 10 year of expertise in the distribution of electronic components. Based in Hongkong, we have already established firm and mutual-benefit business relationships with customers from,Europe,America and south Asia,supplying obsolete and hard-to-find components to meet their specific needs.

With the principle of "Quality Parts,Customers Priority,Honest Operation,and Considerate Service",our business mainly focus on the distribution of electronic components. Line cards we deal with include Microchip,ALPS,ROHM,Xilinx,Pulse,ON,Everlight and Freescale. Main products comprise IC,Modules,Potentiometer,IC Socket,Relay,Connector.Our parts cover such applications as commercial,industrial, and automotives areas.

We are looking forward to setting up business relationship with you and hope to provide you with the best service and solution. Let us make a better world for our industry!



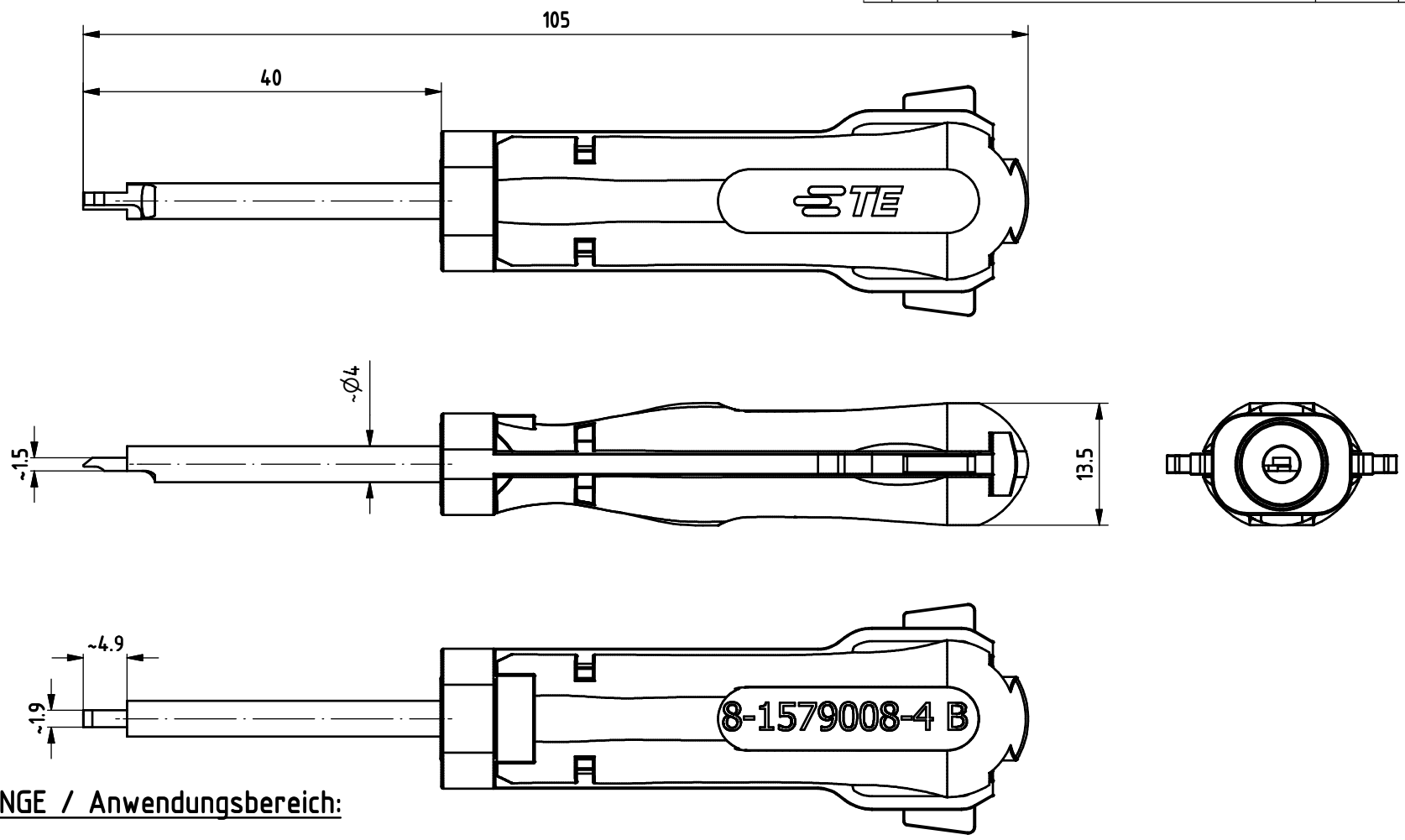
Contact us

Tel: +86-755-8981 8866 Fax: +86-755-8427 6832

Email & Skype: info@chipsmall.com Web: www.chipsmall.com

Address: A1208, Overseas Decoration Building, #122 Zhenhua RD., Futian, Shenzhen, China





APPLICATION RANGE / Anwendungsbereich:

CONTACT MCON 1.2: 1452501, 1534595,
1535063, 1570145,
1458504, 1418842,
1418845, 1418848,
1670147, 1418851,

HOUSING: 1703440

THIS DRAWING IS A CONTROLLED DOCUMENT. DIMENSIONS: mm 		TOLERANCES UNLESS OTHERWISE SPECIFIED: 0 PLC ± 1 PLC ±±± 2 PLC ±±±± 3 PLC ±±±±± 4 PLC ±±±±±± ANGLES ±		DWN S. Samstag 05 JUN 2008 CHK G. Stegmayer 05 JUN 2008 APVD G. Stegmayer 05 JUN 2008 PRODUCT SPEC		TE Connectivity	
		APPLICATION SPEC 114-18464 Gewicht / Weight in Kg 0.009 kg		NAME EXTRACTION TOOL Entriegelungswerkzeug		SIZE A3 CAGE CODE 00779 DRAWING NO. 8-1579008-4 RESTRICTED TO	
MATERIAL FINISH		CUSTOMER DRAWING		SCALE 1:1 SHEET 1 OF 1 REV B1			