



Chipsmall Limited consists of a professional team with an average of over 10 year of expertise in the distribution of electronic components. Based in Hongkong, we have already established firm and mutual-benefit business relationships with customers from,Europe,America and south Asia,supplying obsolete and hard-to-find components to meet their specific needs.

With the principle of “Quality Parts,Customers Priority,Honest Operation,and Considerate Service”,our business mainly focus on the distribution of electronic components. Line cards we deal with include Microchip,ALPS,ROHM,Xilinx,Pulse,ON,Everlight and Freescale. Main products comprise IC,Modules,Potentiometer,IC Socket,Relay,Connector.Our parts cover such applications as commercial,industrial, and automotives areas.

We are looking forward to setting up business relationship with you and hope to provide you with the best service and solution. Let us make a better world for our industry!



## Contact us

Tel: +86-755-8981 8866 Fax: +86-755-8427 6832

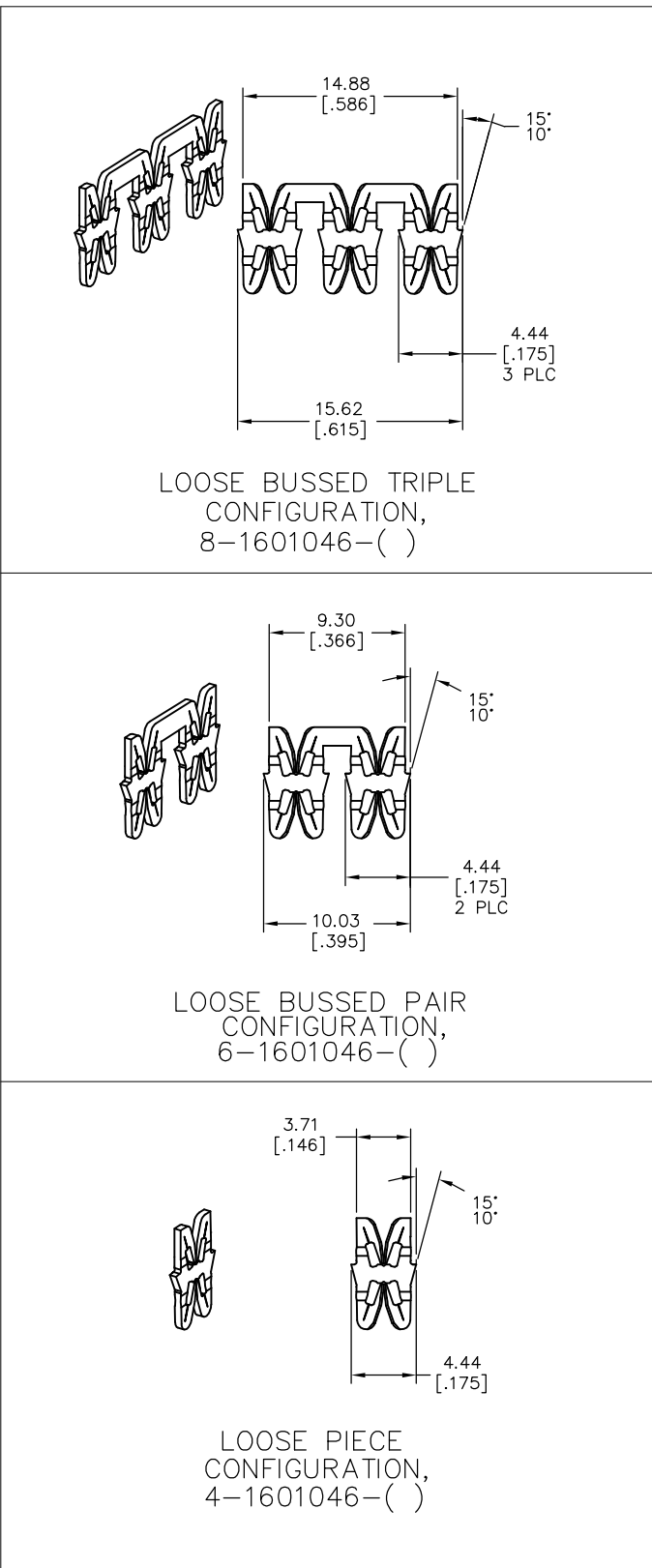
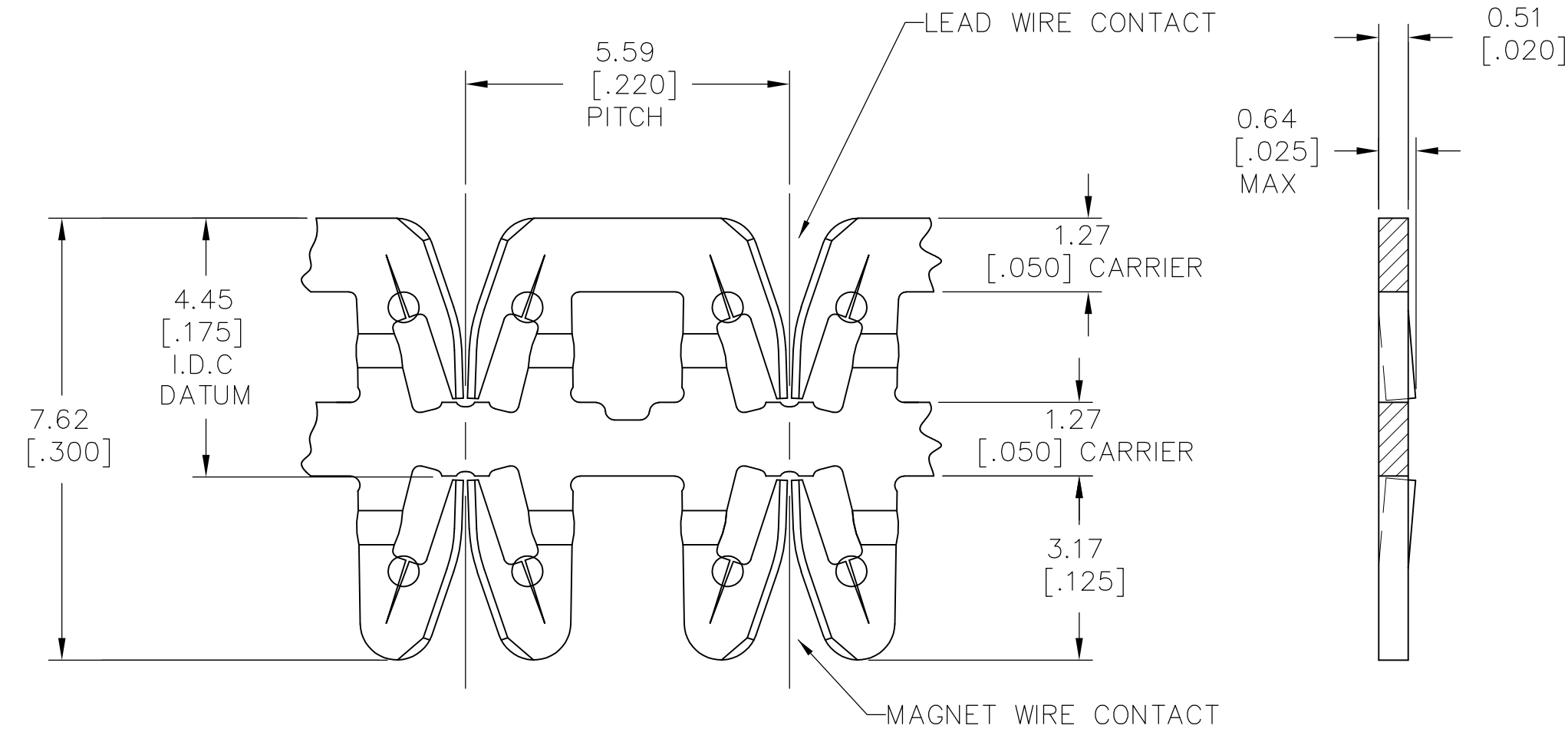
Email & Skype: info@chipsmall.com Web: www.chipsmall.com

Address: A1208, Overseas Decoration Building, #122 Zhenhua RD., Futian, Shenzhen, China

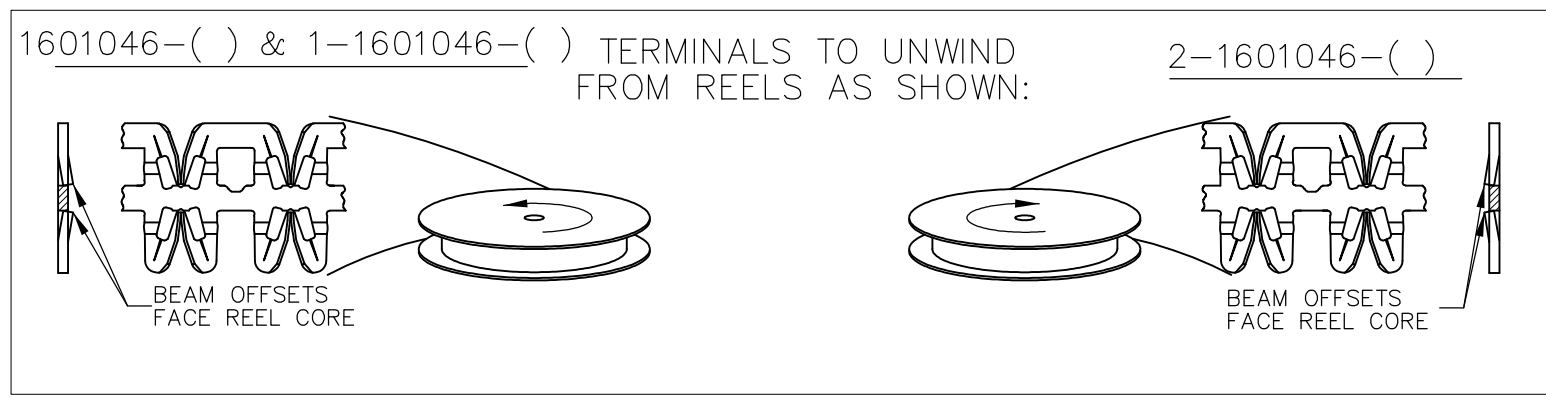


THIS DRAWING IS UNPUBLISHED. RELEASED FOR PUBLICATION  
 © COPYRIGHT - By - ALL RIGHTS RESERVED.

REVISIONS				
P	LTR	DESCRIPTION	DATE	APVD
DB		REVISED PER ECR-16-011993	20APR12	JH TIM



- SPECIFICATIONS:  
MAGNET WIRE #18 - #34 AWG, 1.02mm[.040] - 0.16mm[.006] DIA COPPER. LEAD WIRE #18 - #22 AWG, (0.8mm<sup>2</sup> - 0.3mm<sup>2</sup>) STRANDED, BONDED OR SOLID WITH PVC INSULATION. MAX. INSULATION O.D. 2.9mm[.115] NO STRIPPING REQUIRED. OTHER INSULATION TYPES, MAY BE ACCOMMODATED, CONSULT TYCO ELECTRONICS FOR APPROVAL.
- POCKET RECOMMENDATION:  
#1601433 FOR DOUBLE BUSSED (COMMONED) TERMINALS AND #1601440 FOR TRIPLE BUSSED (COMMONED) TERMINAL.
- TERMINAL APPLICATION TO COMPLY WITH TYCO ELECTRONICS SPECIFICATION 114-13166 FIGURE 3
- REDUCED PACKAGING QUANTITY.
- PRODUCT SPEC: STANDARD SIAMEZE 108-2085 HIGH TEMPERATURE 108-2293(1601046-3)
- PRELIMINARY - NOT FOR PRODUCTION.



FINISH	MATERIAL	REFERENCE PART NUMBER	TE PART NUMBER
UNPLATED	BRASS, SPRING HARD	331-101-000	8-1601046-1
POST TIN PLATED OVER NICKEL	BRASS, SPRING HARD	-	6-1601046-2
UNPLATED	BRASS, SPRING HARD	231-101-000	6-1601046-1
UNPLATED	BRASS, SPRING HARD	031-101-000	4-1601046-1
UNPLATED	BRASS, SPRING HARD	131-102-000	2-1601046-1
UNPLATED	BRASS, SPRING HARD	-	4 6 1-1601046-1
UNPLATED	EXTRA HARD Cu ALLOY	-	6 1601046-3
POST TIN PLATED OVER NICKEL	BRASS, SPRING HARD	-	1601046-2
UNPLATED	BRASS, SPRING HARD	131-101-000	1601046-1

THIS DRAWING IS A CONTROLLED DOCUMENT.

DWN J.WELLER 11JAN2002  
 CHK M.FEHER 11JAN2002  
 APVD K.RANDOLPH 11JAN2002

DIMENSIONS: mm [INCHES]

TOLERANCES UNLESS OTHERWISE SPECIFIED:  
 0 PLC ± -  
 1 PLC ± -  
 2 PLC ± 0.13[.005]  
 3 PLC ± -  
 4 PLC ± -  
 ANGLES ± 2°

MATERIAL BRASS, SPRING HARD FINISH SEE TABLE

WEIGHT 0.0

CUSTOMER DRAWING

TE Connectivity

STANDARD RANGE WIRE TO WIRE HIGH CARRIER SIAMEZE TERMINAL

SIZE A2 CAGE CODE 00779 DRAWING NO C-1601046 RESTRICTED TO -

SCALE 10:1 SHEET 1 of 1 REV DB

1601046

A