



Chipsmall Limited consists of a professional team with an average of over 10 year of expertise in the distribution of electronic components. Based in Hongkong, we have already established firm and mutual-benefit business relationships with customers from,Europe,America and south Asia,supplying obsolete and hard-to-find components to meet their specific needs.

With the principle of “Quality Parts,Customers Priority,Honest Operation,and Considerate Service”,our business mainly focus on the distribution of electronic components. Line cards we deal with include Microchip,ALPS,ROHM,Xilinx,Pulse,ON,Everlight and Freescale. Main products comprise IC,Modules,Potentiometer,IC Socket,Relay,Connector.Our parts cover such applications as commercial,industrial, and automotives areas.

We are looking forward to setting up business relationship with you and hope to provide you with the best service and solution. Let us make a better world for our industry!



Contact us

Tel: +86-755-8981 8866 Fax: +86-755-8427 6832

Email & Skype: info@chipsmall.com Web: www.chipsmall.com

Address: A1208, Overseas Decoration Building, #122 Zhenhua RD., Futian, Shenzhen, China

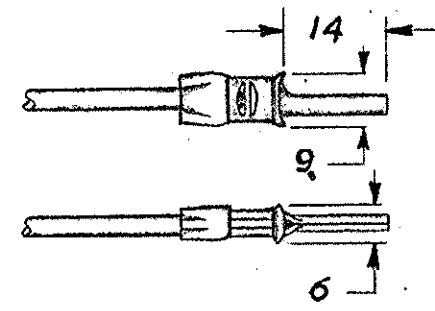
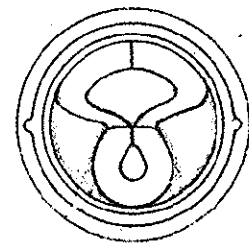
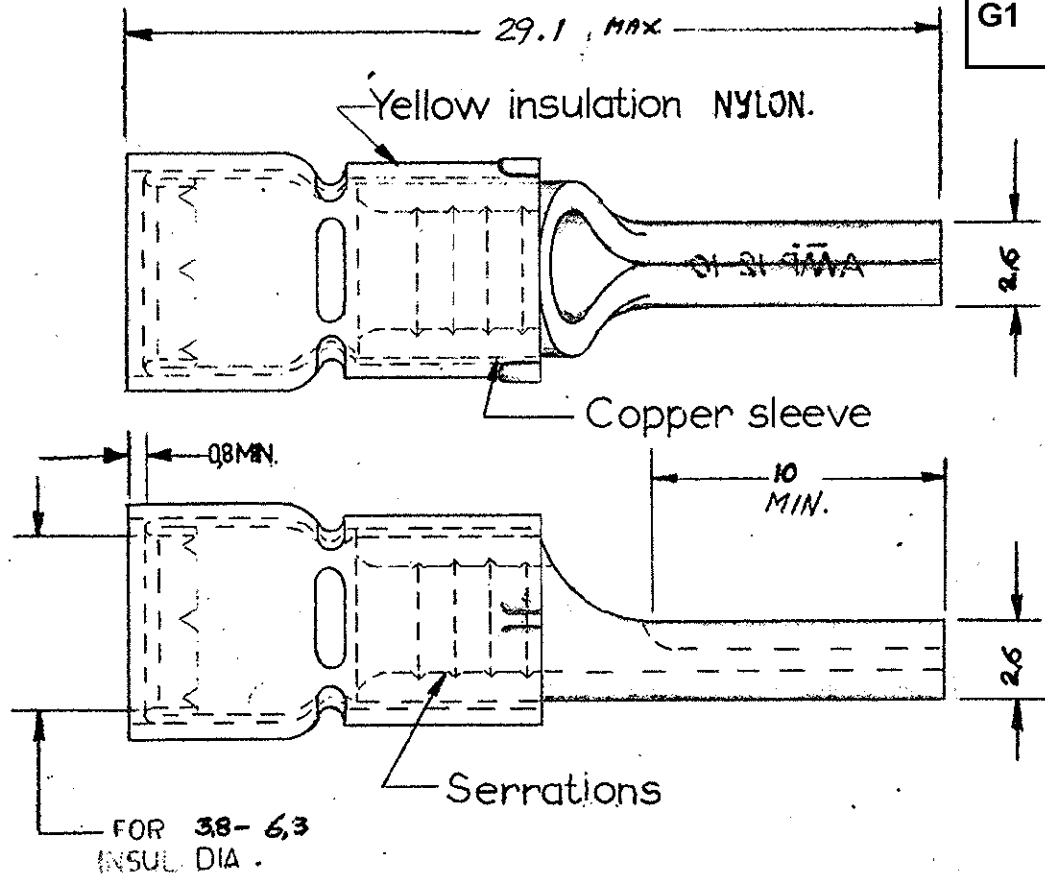


DIMENSIONS IN mm —DO NOT SCALE PRINT

NUMBER
C-165049

LTR	REVISION RECORD	DATE	APPROVED
G1	REVISED PER ECO-11-005294	14APR11	HMR

TE CONNECTIVITY NR	FINISH
165049	Tinplated



CUSTOMER PRINT
FOR REFERENCE ONLY

-9	-8	-7	-6	-5	-4	-3	-2	-1
REQUIRED PER ASSEMBLY								
DESCRIPTION								

DWG SIZE	NUMBER	NAME	REMARKS	ITEM NO.
MATERIAL	HEAT TREAT	FINISH		
Copper	~	Tinpl.		
DR. <i>L. Horvath</i>	DATE APP. <i>15-11-60</i>	DATE REL. <i>14/1/60</i>	DATE	
CHK. <i>L. Horvath</i>	DATE APP. <i>11/1/60</i>	DATE <i>11/21-60</i>	FIRST USED Tol ± 0.2	
TE Connectivity	TYPE	PRINT DIST	LOC	SIZE NUMBER
	G.P.		HA	C-165049
SCALE	WIRE SIZE	CMA	NAME	REV
4:1	27-66		WIRE PIN P.I.D.G.	G1