



Chipsmall Limited consists of a professional team with an average of over 10 year of expertise in the distribution of electronic components. Based in Hongkong, we have already established firm and mutual-benefit business relationships with customers from,Europe,America and south Asia,supplying obsolete and hard-to-find components to meet their specific needs.

With the principle of "Quality Parts,Customers Priority,Honest Operation,and Considerate Service",our business mainly focus on the distribution of electronic components. Line cards we deal with include Microchip,ALPS,ROHM,Xilinx,Pulse,ON,Everlight and Freescale. Main products comprise IC,Modules,Potentiometer,IC Socket,Relay,Connector.Our parts cover such applications as commercial,industrial, and automotives areas.

We are looking forward to setting up business relationship with you and hope to provide you with the best service and solution. Let us make a better world for our industry!



Contact us

Tel: +86-755-8981 8866 Fax: +86-755-8427 6832

Email & Skype: info@chipsmall.com Web: www.chipsmall.com

Address: A1208, Overseas Decoration Building, #122 Zhenhua RD., Futian, Shenzhen, China



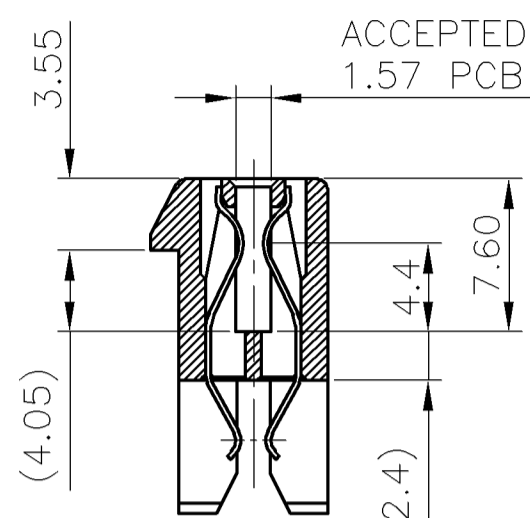
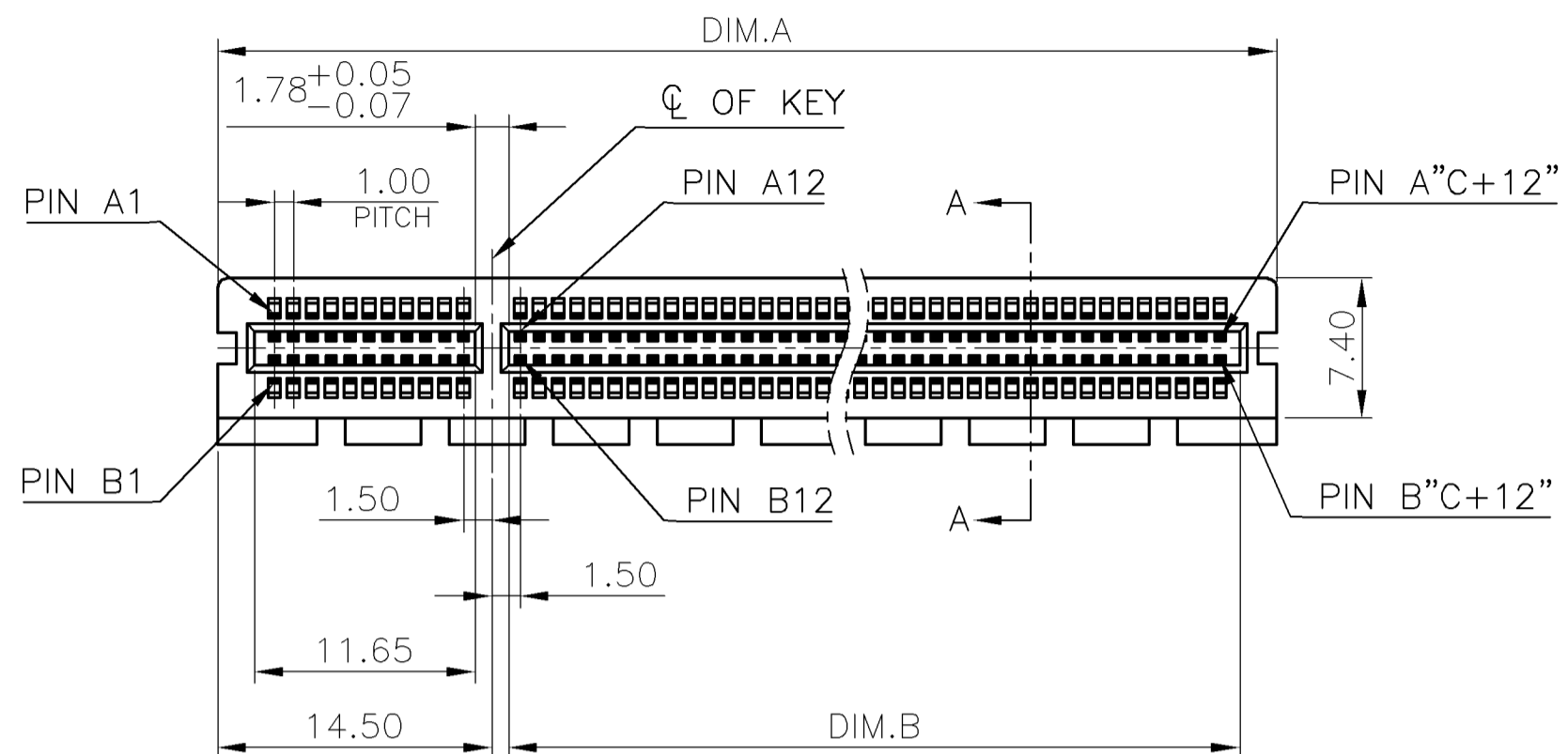
THIS DRAWING IS UNPUBLISHED. RELEASED FOR PUBLICATION
 © COPYRIGHT 2010 BY TYCO ELECTRONICS CORPORATION. ALL RIGHTS RESERVED.

LOC DW
 DIST

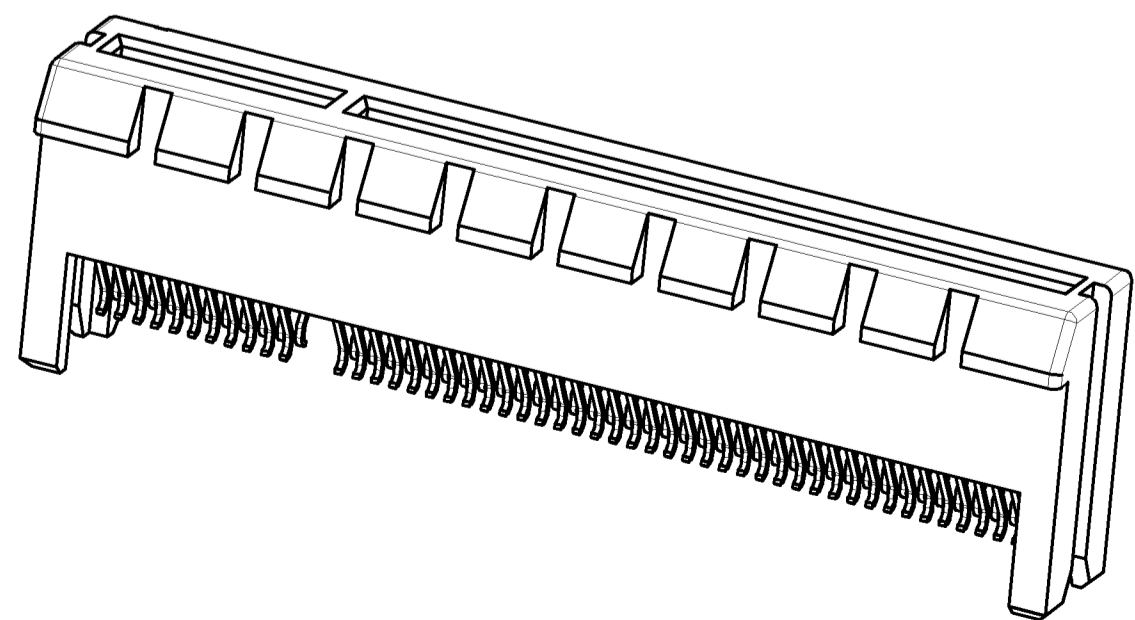
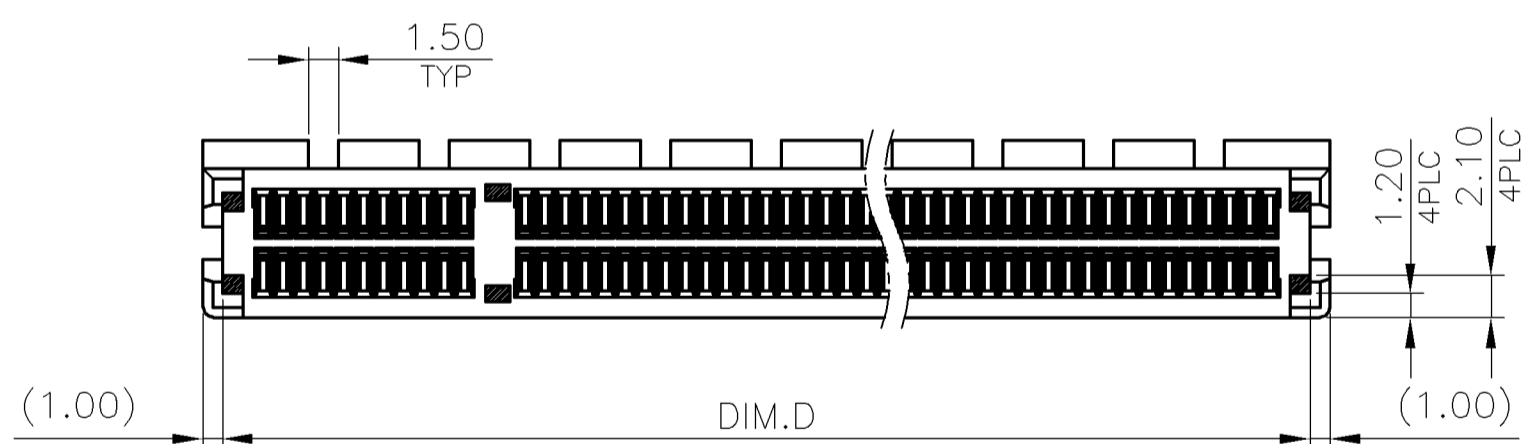
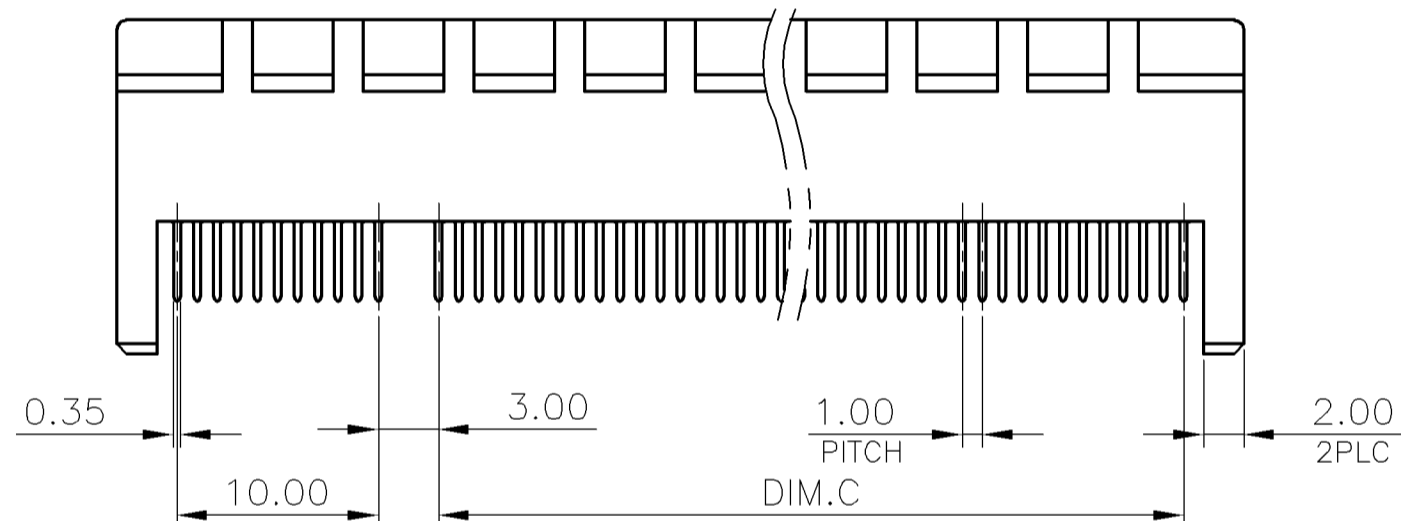
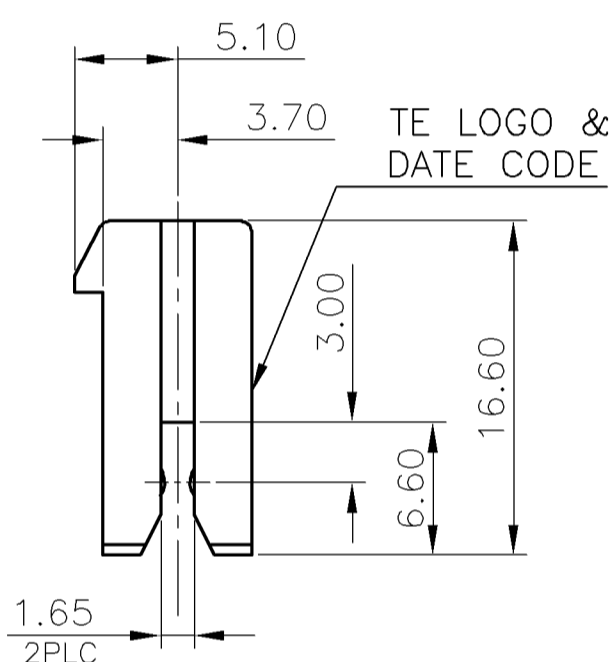
REVISIONS					
P	LTR	DESCRIPTION	DATE	DWN	APVD
B3		REVISED (ECR-11-018686)	27SEP'11	E.L.	W.K.

NOTE:

- MATERIAL:
 HOUSING: NY9T UL 94V-0, COLOR: (SEE TABLE).
 CAP: LCP UL 94V-0, COLOR: BLACK.
 CONTACTS: PHOSPHOR BRONZE.
 - FINISH:
 CONTACTS: (SEE TABLE) GOLD PLATED ON CONTACT AREA,
 2.54um [100u"] MIN. MATTE-TIN ON SOLDER TAIL,
 WITH ENTIRE CONTACT UNDERPLATED 1.27um [50u"] MIN. NICKEL.
 - REFLOW SOLDER CAPABLE TO 260°C PER TEST SPEC.
 TEC-109-201, CONDITION B.
 - WEIGHT:
 36 POS.: 2.9 GRAMS
 64 POS.: 4.0 GRAMS
 98 POS.: 5.4 GRAMS
 164 POS.: 9.1 GRAMS
- ⚠ FOR REFLOW PROCESS, THE CAP MUST BE ATTACHED,
 IT WILL PROTECT HOUSING WARPAGE.



SECTION A-A



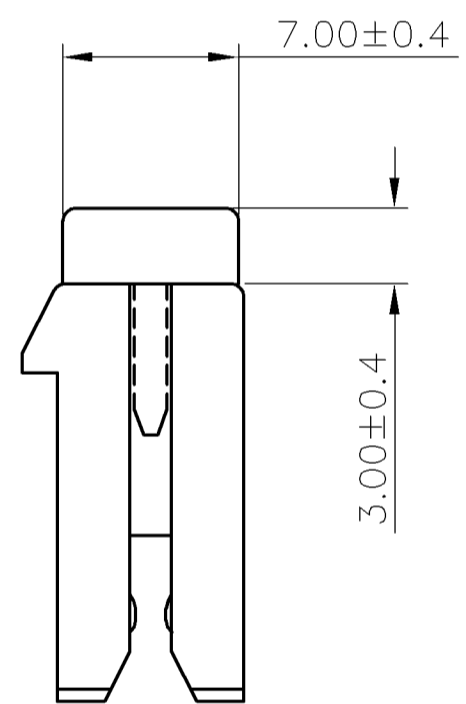
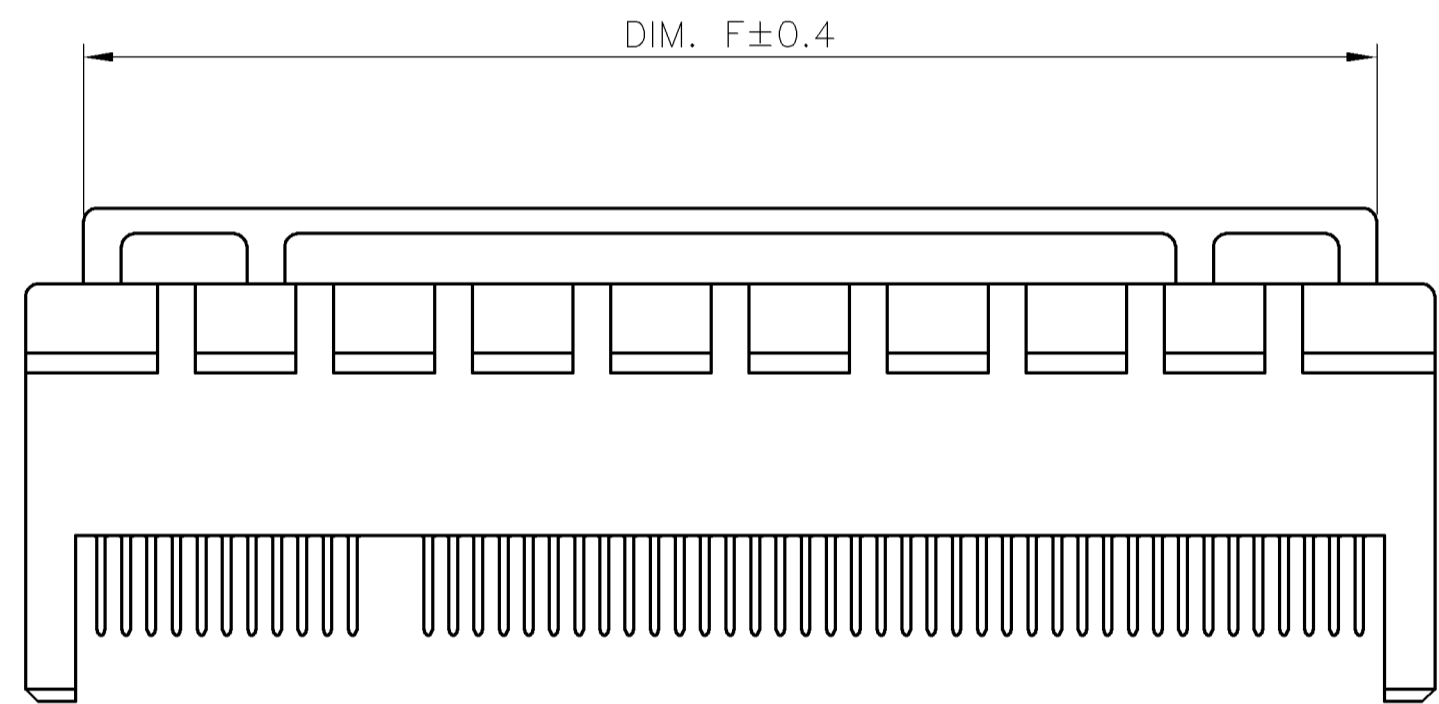
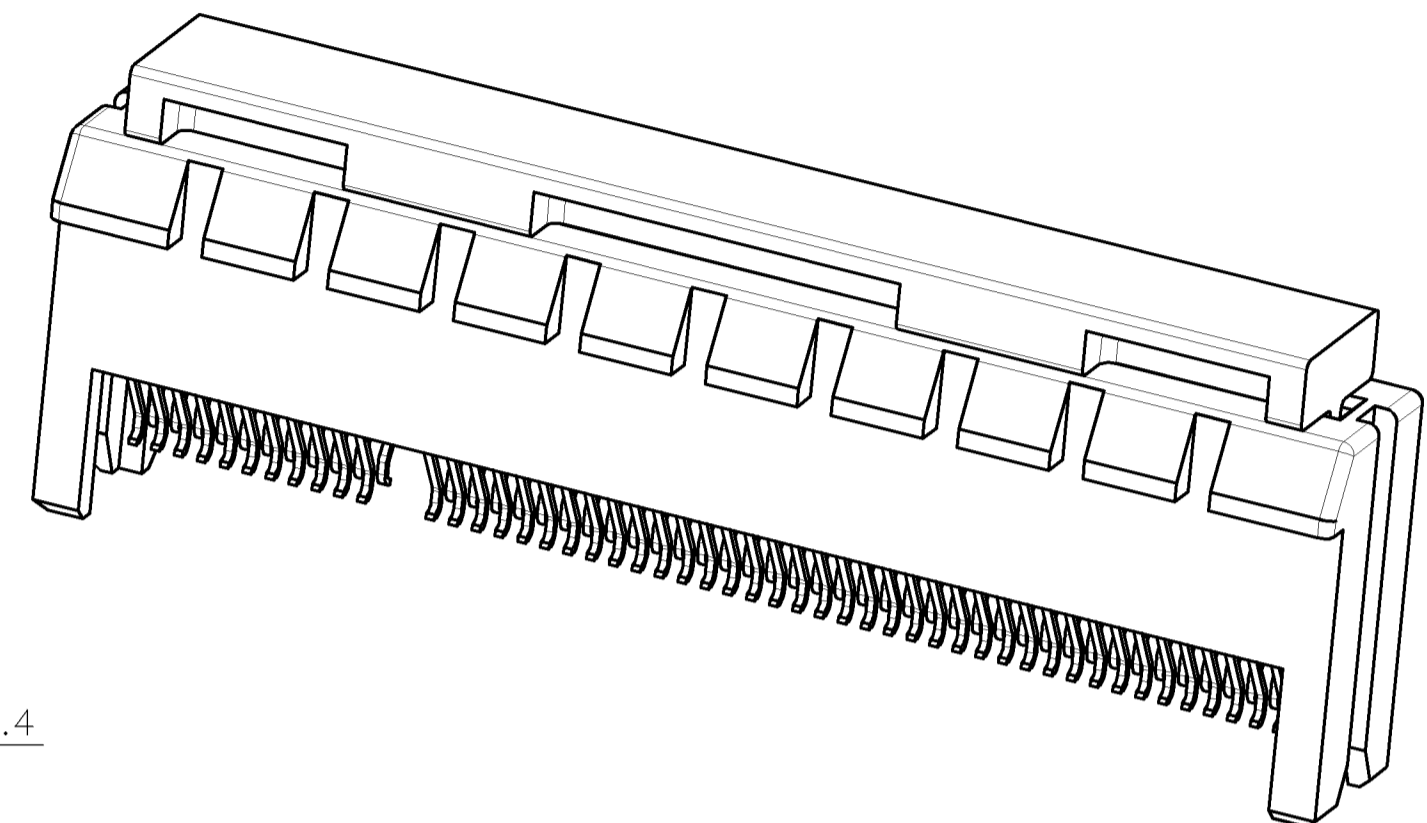
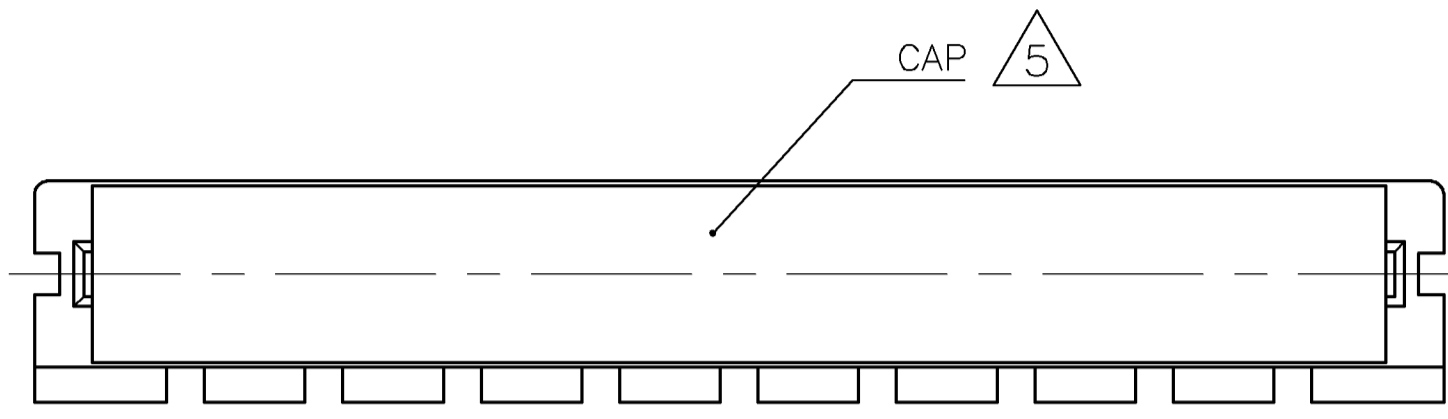
	0.762um [30um] MIN.	X-1734857-5
	0.381um [15um] MIN.	X-1734857-4
OBSOLETE	0.254um [10um] MIN.	X-1734857-3
OBSOLETE	0.127um [5um] MIN.	X-1734857-2
	0.0254um [1um] MIN.	X-1734857-1
	GOLD PLATING	PART NUMBER

COLOR	DIMENSIONS					POSITION NUMBER	PART NUMBER
BLACK	87	70	71.65	89	164	8-	-X
	54	37	38.65	56	98	7-	-X
	37	20	21.65	39	64	6-	-X
	23	6	7.65	25	36	5-	-X
WHITE (NATURE)	87	70	71.65	89	164	4-	-X
	54	37	38.65	56	98	3-	-X
	37	20	21.65	39	64	2-	-X
	23	6	7.65	25	36	1-1734857	-X
	D	C	B	A			

THIS DRAWING IS A CONTROLLED DOCUMENT.		DWN B. HSING 05JUN2009	STE TE Connectivity	
DIMENSIONS: mm		CHK S. CHIEN 05JUN2009		
TOLERANCES UNLESS OTHERWISE SPECIFIED:		APVD W. KODAMA 05JUN2009	NAME	
0 PLC ± -		PRODUCT SPEC		
1 PLC ± 0.3		108-57854		
2 PLC ± 0.2		APPLICATION SPEC		
3 PLC ± 0.15		SIZE CAGE CODE DRAWING NO RESTRICTED TO		
4 PLC ± -		A3 00779 C-1734857		
ANGLES ± 3'		WEIGHT SEE TABLE		
FINISH		CUSTOMER DRAWING		
MATERIAL SEE NOTE		SCALE SHEET 1 OF 4 REV B3		
SEE NOTE				

THIS DRAWING IS UNPUBLISHED. RELEASED FOR PUBLICATION
 © COPYRIGHT 2010 BY TYCO ELECTRONICS CORPORATION. ALL RIGHTS RESERVED.

LOC	DIST	REVISIONS			
P	LTR	DESCRIPTION	DATE	DWN	APVD
		SEE SHEET 1.			



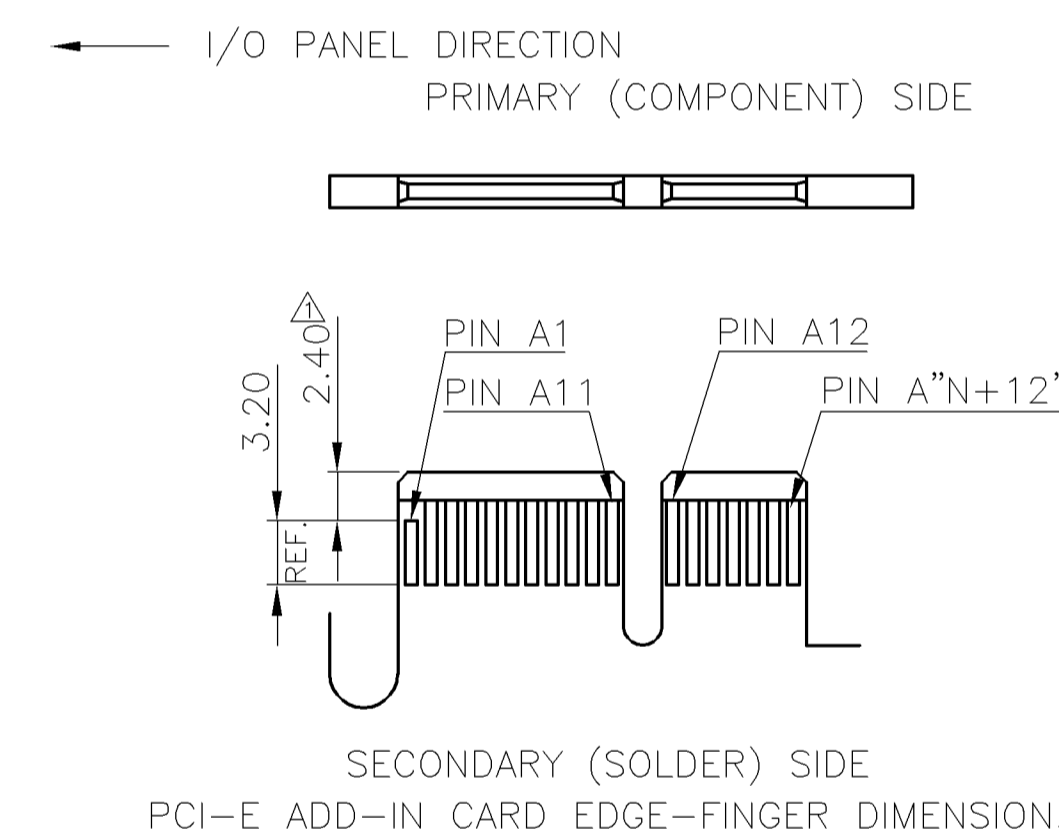
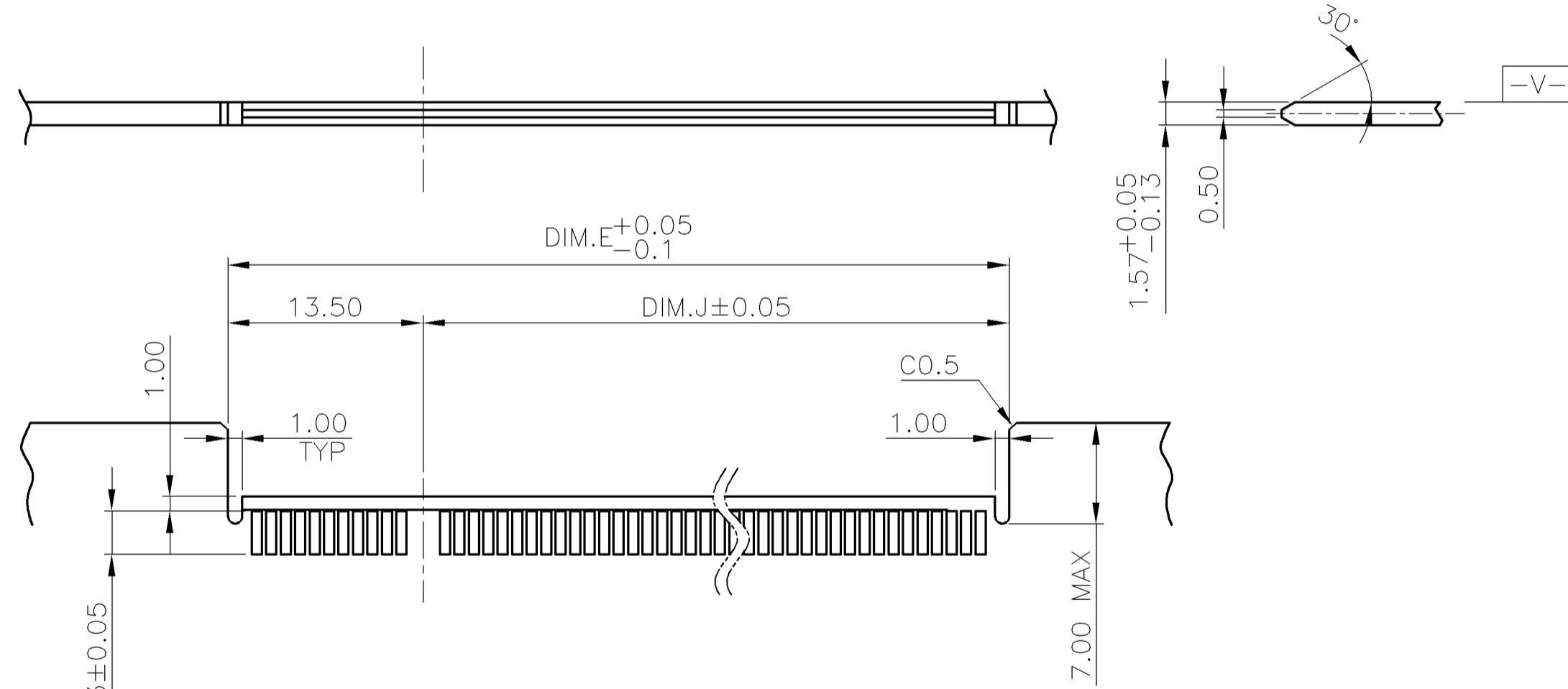
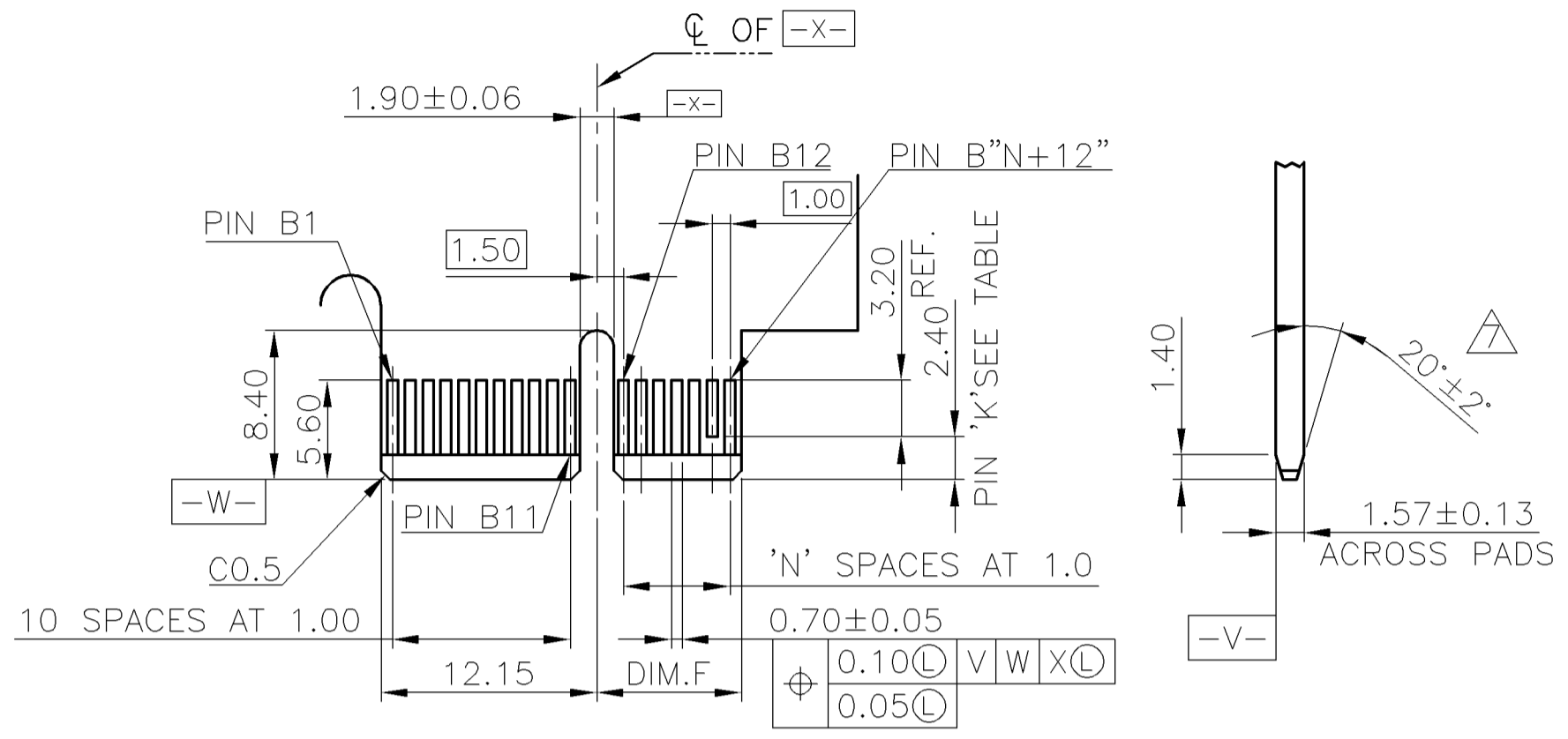
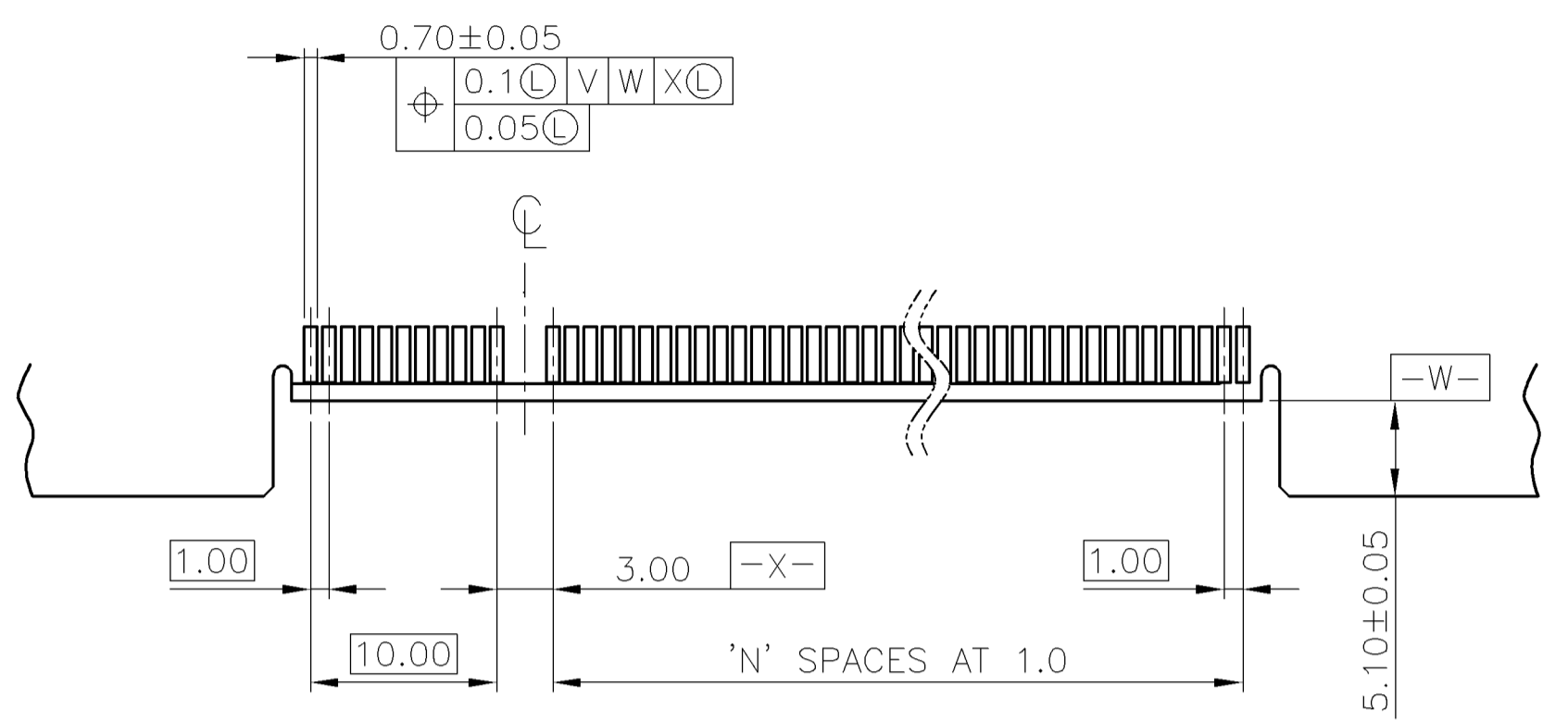
△ 5 ASSEMBLY WITH CAP CONDITION

36	20.4
64	34.4
98	51.4
164	84.4
POSITION	DIM F

THIS DRAWING IS A CONTROLLED DOCUMENT.		DWN	TE Connectivity NAME PCI EXPRESS CARD EDGE CONNECTOR STRADDLE MOUNT TYPE					
DIMENSIONS: mm		CHK				SIZE	CAGE CODE	DRAWING NO
TOLERANCES UNLESS OTHERWISE SPECIFIED: 0 PLC ± - 1 PLC ± 0.3 2 PLC ± 0.2 3 PLC ± 0.15 4 PLC ± - ANGLES ± 3°		APVD				A3 00779 C=1734857		
		PRODUCT SPEC				RESTRICTED TO		
MATERIAL		APPLICATION SPEC	SCALE					
FINISH		WEIGHT	SHEET 2 OF 4					
		CUSTOMER DRAWING	REV B3					

THIS DRAWING IS UNPUBLISHED. RELEASED FOR PUBLICATION
 © COPYRIGHT 2010 BY TYCO ELECTRONICS CORPORATION. ALL RIGHTS RESERVED.

LOC	DIST	REVISIONS			
P	LTR	DESCRIPTION	DATE	DWN	APVD
		SEE SHEET 1.			



RECOMMENDED PCB LAYOUT
 PCB TOLERANCE: ±0.05

164	70	87.1	73.5	72.15	B17,B31,B48,B81
98	37	54.1	40.5	39.15	B17,B31,B48
64	20	37.1	23.5	22.15	B17,B31
36	6	23.1	9.5	8.15	B17
POS.	N	DIM.E	DIM.J	DIM.F	"K"

6. NO TIE BAR PERMITTED FROM CARD EDGE TO LEADING EDGE OF PAD FOR PINS A1 AND "K"
 CHAMFER EDGE MUST BE FREE OF CUTTING BURRS

THIS DRAWING IS A CONTROLLED DOCUMENT.		DWN	-		
DIMENSIONS: mm		CHK	-		
TOLERANCES UNLESS OTHERWISE SPECIFIED:		APVD	-		
0 PLC ± -		PRODUCT SPEC	-		
1 PLC ± 0.3		APPLICATION SPEC	-		
2 PLC ± 0.2		WEIGHT	-		
3 PLC ± 0.15		CUSTOMER DRAWING	-		
4 PLC ± -		SCALE	-		
ANGLES ± 3°		SHEET	3 OF 4		
FINISH		REV	B3		

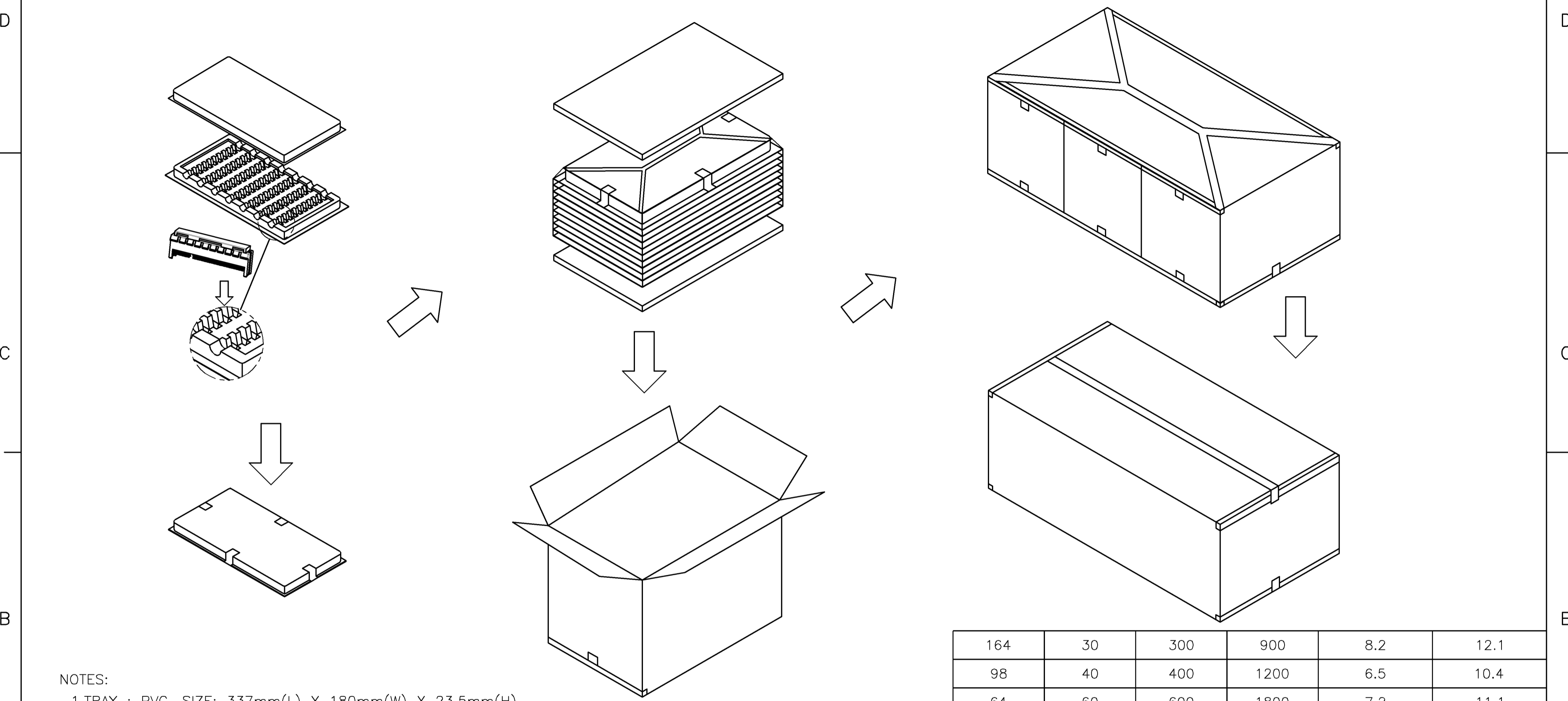
TE Connectivity

PCI EXPRESS CARD EDGE CONNECTOR STRADDLE MOUNT TYPE

SIZE	CAGE CODE	DRAWING NO	RESTRICTED TO
A3	00779	C=1734857	-

THIS DRAWING IS UNPUBLISHED. RELEASED FOR PUBLICATION
 © COPYRIGHT 2010 BY TYCO ELECTRONICS CORPORATION. ALL RIGHTS RESERVED.

LOC	DIST	REVISIONS			
P	LTR	DESCRIPTION	DATE	DWN	APVD
		SEE SHEET 1.			



- NOTES:
1. TRAY : PVC, SIZE: 337mm(L) X 180mm(W) X 23.5mm(H).
 2. CARTON : CORRUGATED, SIZE: 353mm(L) X 199mm(W) X 223mm(H).
 3. CARTON TRANSPARENT BAG : PE, SIZE: 560mm(L) X 400mm(W) X 0.05mm(H).
 4. E.P.E SIZE: 336mm(L) X 182mm(W) X 8mm(H).
 5. BOX TRANSPARENT BAG : PE, SIZE: 600mm(L) X 590mm(W) X 0.06mm(H).
 6. BOX : CORRUGATED, SIZE: 603mm(L) X 371mm(W) X 240mm(H).
 7. QUANTITY: SEE TABL

164	30	300	900	8.2	12.1
98	40	400	1200	6.5	10.4
64	60	600	1800	7.2	11.1
36	70	700	2100	6.1	10.0
POS No.	PIECES PER TRAY	PIECES PER CARTON	PIECES PER BOX	NET WEIGHT (Kg)	GROSS WEIGHT (Kg)

THIS DRAWING IS A CONTROLLED DOCUMENT.		DWN		TE Connectivity	
DIMENSIONS: mm		CHK			
		TOLERANCES UNLESS OTHERWISE SPECIFIED:		NAME	
MATERIAL		FINISH		PCI EXPRESS CARD EDGE CONNECTOR STRADDLE MOUNT TYPE	
		0 PLC ± - 1 PLC ± 0.3 2 PLC ± 0.2 3 PLC ± 0.15 4 PLC ± - ANGLES ± 3°		PRODUCT SPEC APPLICATION SPEC	
		WEIGHT		SIZE CAGE CODE DRAWING NO RESTRICTED TO A3 00779 C=1734857	
		CUSTOMER DRAWING		SCALE SHEET 4 OF 4 REV B3	