



Chipsmall Limited consists of a professional team with an average of over 10 year of expertise in the distribution of electronic components. Based in Hongkong, we have already established firm and mutual-benefit business relationships with customers from,Europe,America and south Asia,supplying obsolete and hard-to-find components to meet their specific needs.

With the principle of “Quality Parts,Customers Priority,Honest Operation,and Considerate Service”,our business mainly focus on the distribution of electronic components. Line cards we deal with include Microchip,ALPS,ROHM,Xilinx,Pulse,ON,Everlight and Freescale. Main products comprise IC,Modules,Potentiometer,IC Socket,Relay,Connector.Our parts cover such applications as commercial,industrial, and automotives areas.

We are looking forward to setting up business relationship with you and hope to provide you with the best service and solution. Let us make a better world for our industry!



Contact us

Tel: +86-755-8981 8866 Fax: +86-755-8427 6832

Email & Skype: info@chipsmall.com Web: www.chipsmall.com

Address: A1208, Overseas Decoration Building, #122 Zhenhua RD., Futian, Shenzhen, China



THIS DRAWING IS UNPUBLISHED. RELEASED FOR PUBLICATION. BY TYCO ELECTRONICS CORPORATION. ALL RIGHTS RESERVED. ATLANTIC VERSION TERMINATOR INTERFACE ADAPTER. PART NUMBER, REVISION, DESCRIPTION, FEED TYPE, CONVERT TO, PART NUMBERS REQUIRED.

APPLICATOR STYLE DATA. CRIMP SIZE TYPE, WIRE INSUL. APPLICATOR INSTRUCTIONS.

TERMINAL DATA: TE TERMINAL. TE SPECIFICATION. TERMINAL NAME: MICRO QUADLOK SYSTEM. WIRE STRIP LENGTH, INSULATION DIAMETER RANGE.

TERMINALS APPLIED. GROUP 1, GROUP 2. TE TERMINAL, TE TERMINAL.

WIRE SIZE, CRIMP HEIGHT mm [INCH], CRIMP HEIGHT REFERENCE SETTING.

- 1 RECOMMENDED SPARE PARTS
2 GREASE BEARING SURFACES LIGHTLY
3 LUBRICATE DAILY PER THE APPLICATOR INSTRUCTION SHEET SUPPLIED WITH THE APPLICATOR.
4 APPLICATOR SPECIFIC DATA TO BE ENTERED INTO BLANK MEMORY CHIP AT ASSEMBLY...

TERMINAL DATA: TE TERMINAL. TE SPECIFICATION. TERMINAL NAME: MICRO QUADLOK SYSTEM. WIRE STRIP LENGTH, INSULATION DIAMETER RANGE.

TERMINALS APPLIED. GROUP 1, GROUP 2. TE TERMINAL, TE TERMINAL.

WIRE SIZE, CRIMP HEIGHT mm [INCH], CRIMP HEIGHT REFERENCE SETTING.

- 4 POSITION THE HOLD DOWN, ITEM 18, IN ORIENTATION 1 FOR GROUP 1 TERMINALS. REFER TO SHEET 2.
5 POSITION THE HOLD DOWN, ITEM 18, IN ORIENTATION 2 FOR GROUP 2 TERMINALS. REFER TO SHEET 2.

Table with columns: -77, -7, -6, -5, -2, -1, PART NO, DESCRIPTION, ITEM NO.

ATLANTIC VERSION Shown on sheets 1 of 4 & 2 of 4 (Pacific version shown on sheets 3 of 4 & 4 of 4)

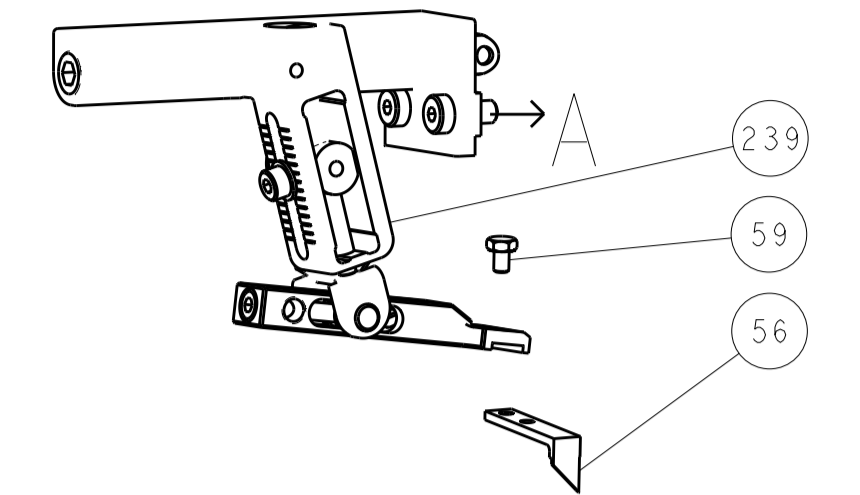
REVISIONS. SET UP GAUGE 2119599-1, DIST 66, DESCRIPTION, DATE, DWN, APVD.

Large table listing parts with columns: QTY, PART NO, DESCRIPTION, DATE, DWN, APVD.

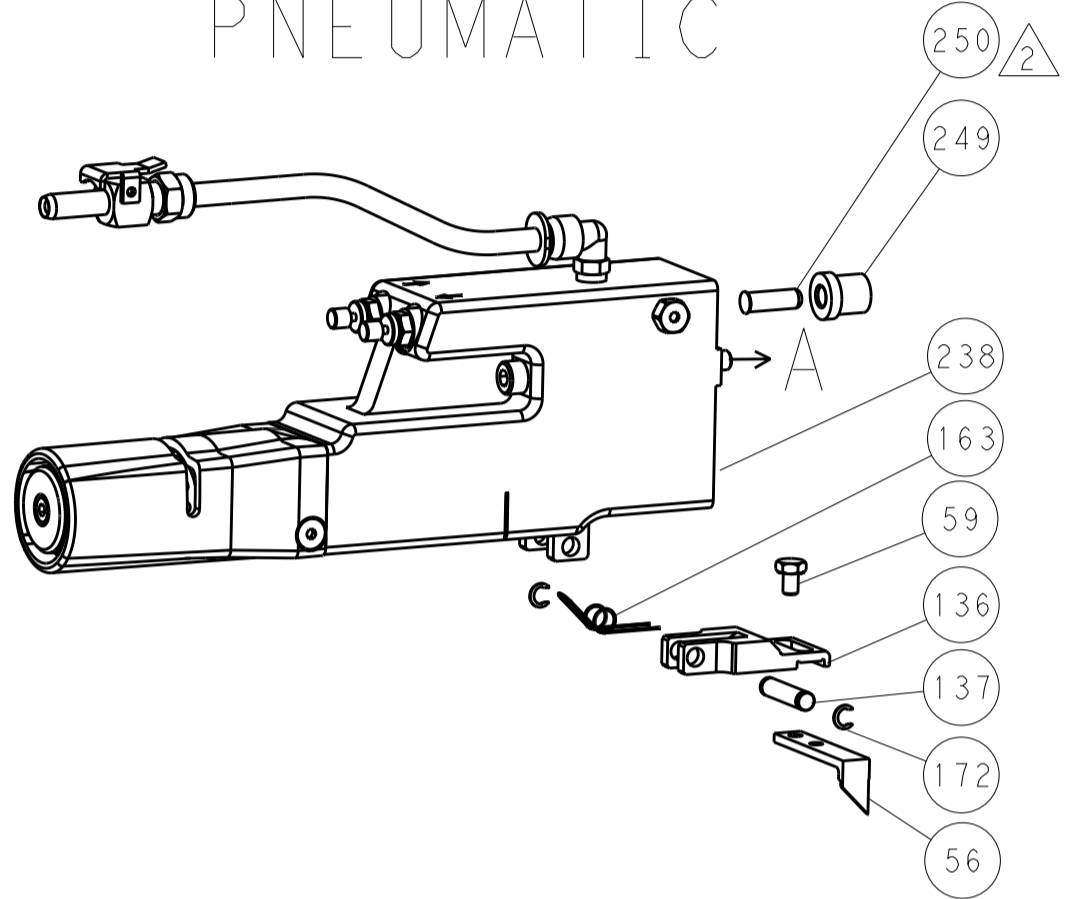
Customer drawing information: DIMENSIONS, TOLERANCES, MATERIAL, WEIGHT, SCALE, SHEET 1 OF 4, REV D4.

REVISONS		DATE	OWN	APVD
A	66			
DESCRIPTION				
SEE SHEET 1				

FEED TYPE MECHANICAL



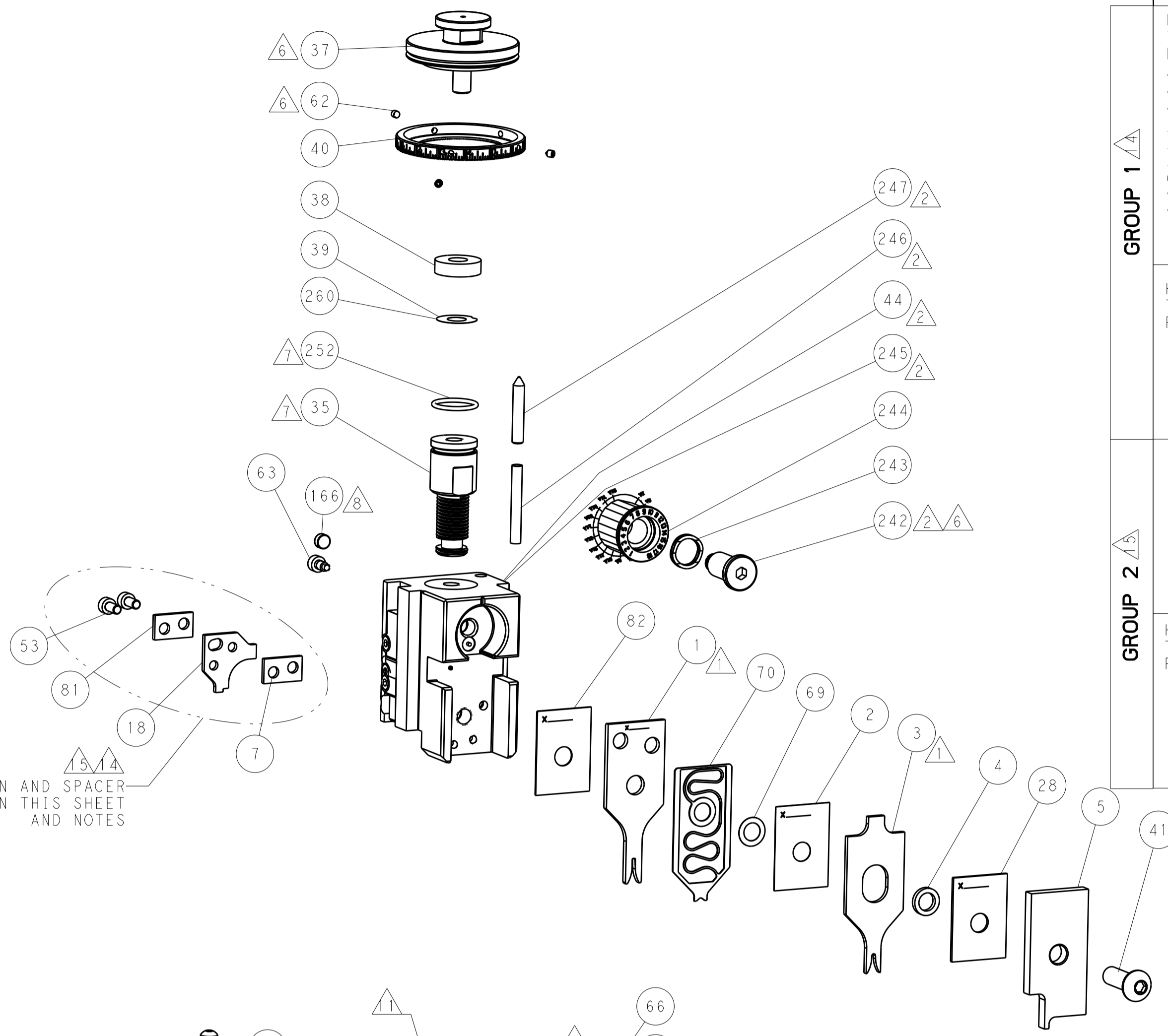
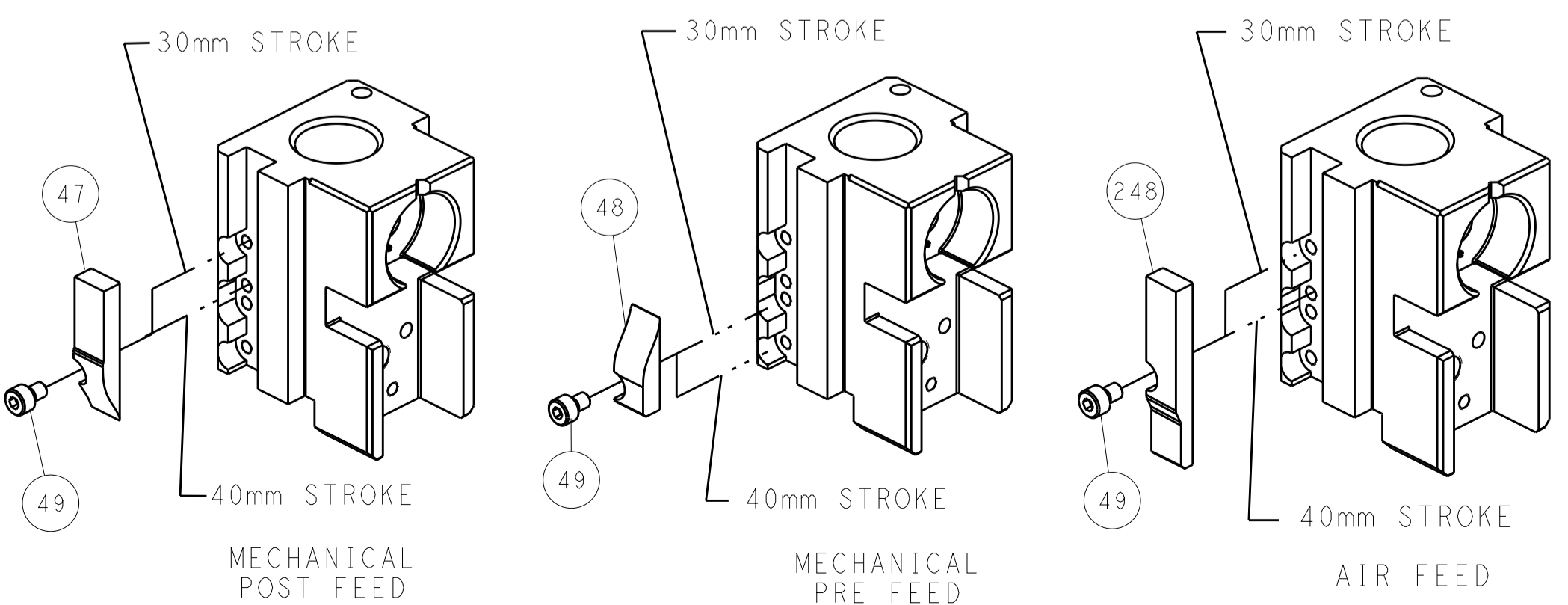
PNEUMATIC



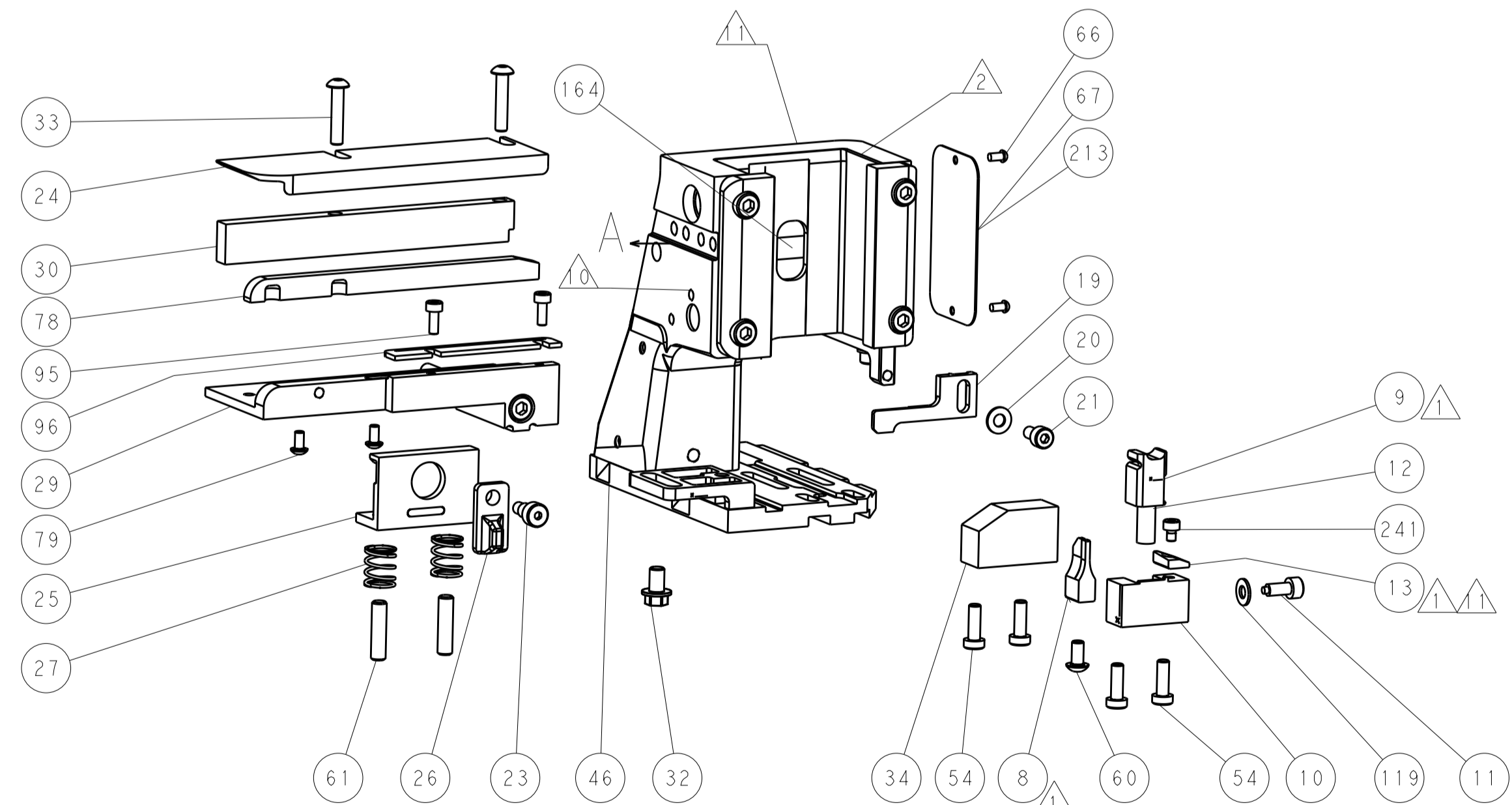
SERVO LATCH PLATE



CAM POSITIONS

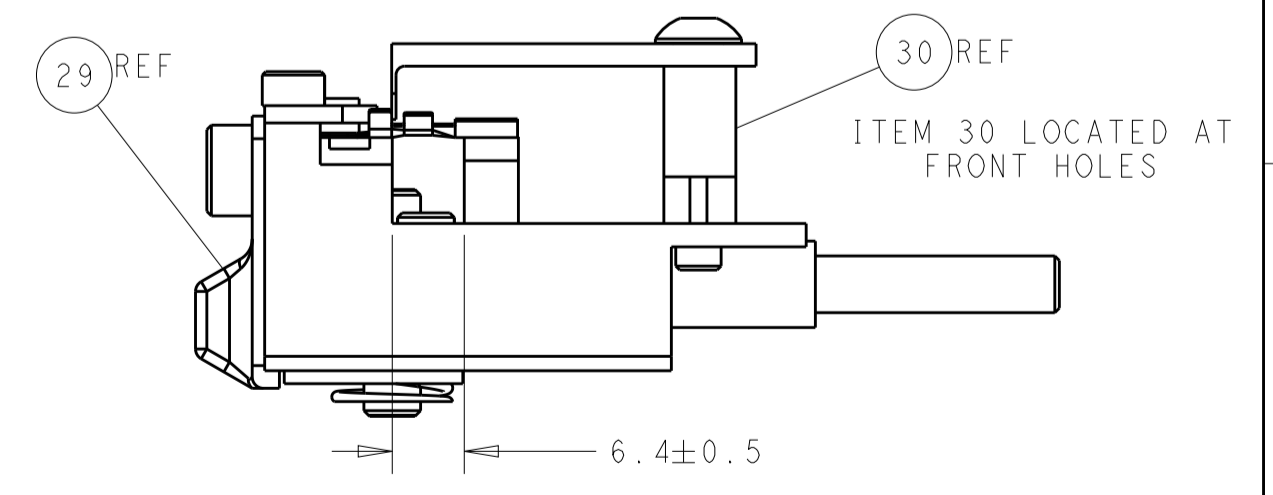
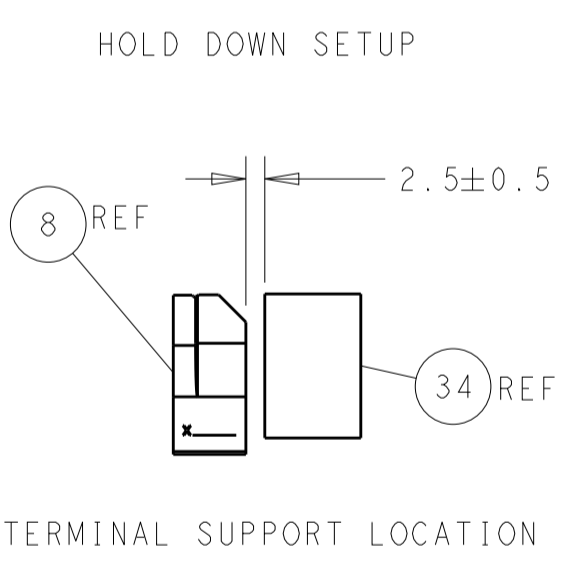


SEE TERMINAL HOLD DOWN AND SPACER SETUP CHART ON THIS SHEET AND NOTES



TERMINAL HOLD DOWN & SPACER SETUP CHART

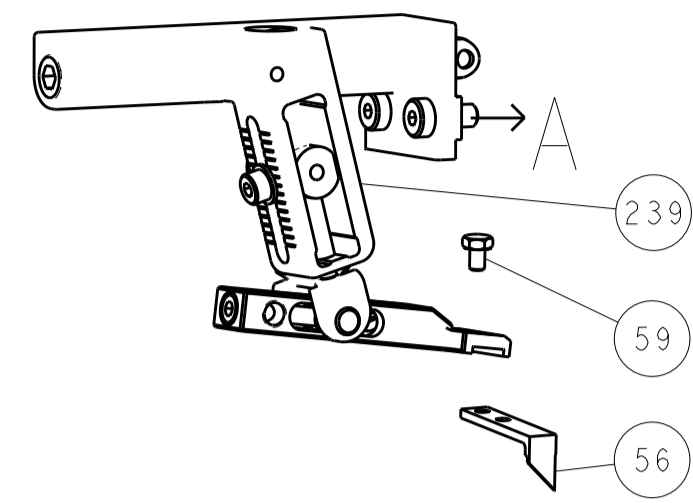
GROUP	HOLD DOWN & SPACER TOOLING SETUP FOR TERMINALS:	POSITION
GROUP 1	928999-1 2-928918-2 928999-5 3-928918-2 928999-6 5-928918-1 5-928999-1 6-928918-2 5-928999-5 6-928918-2 5-928999-6 6-928918-3 6-928999-5 1394702-1 928918-1 1394702-2 928918-2 1394702-2 1-928918-1 5-1394702-1 1-928918-2 5-1394702-2	POSITION 1
	968893-1	POSITION 1
GROUP 2	968220-1 5-968220-6 968220-5 1703296-1 968220-6 1703296-5 5-968220-1 1534116-1 5-968220-5 1534116-2 5-968220-5 5-1534116-1	POSITION 2
	1241918-1	POSITION 2



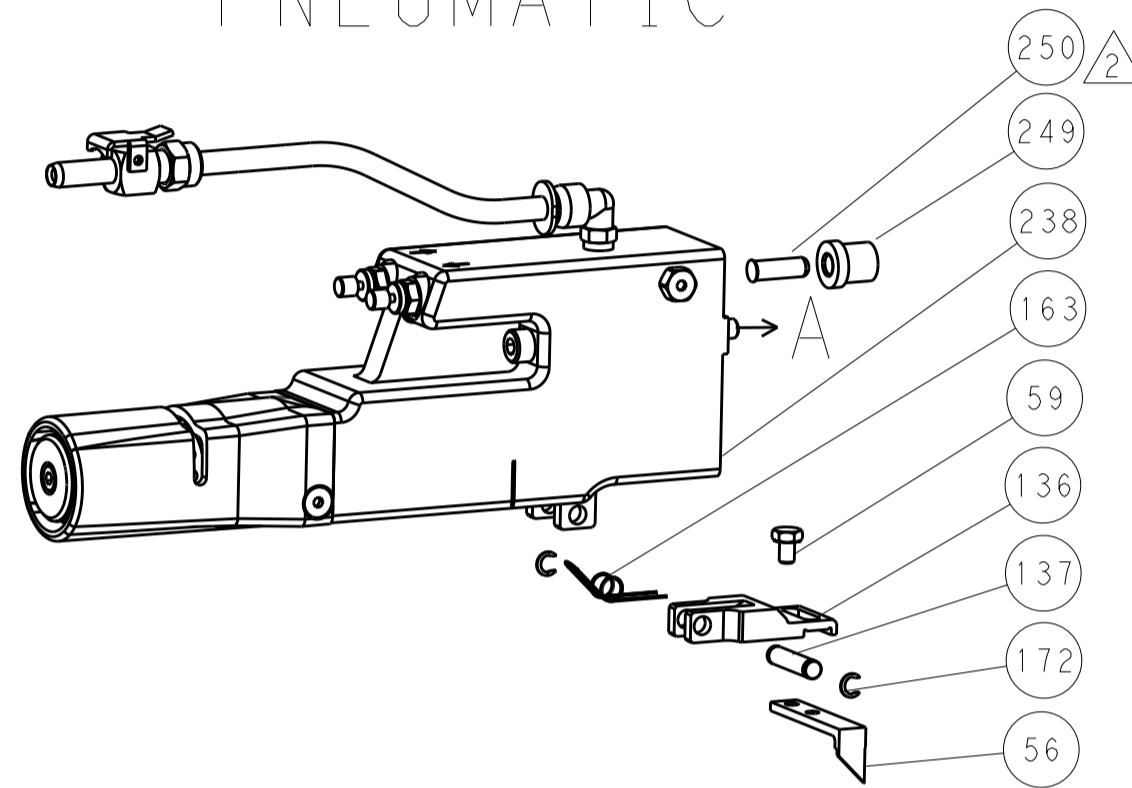
ATLANTIC VERSION
 Shown on sheets 1 of 4 & 2 of 4
 (Pacific version shown on sheets 3 of 4 & 4 of 4)

DIMENSIONS:		TOLERANCES UNLESS OTHERWISE SPECIFIED:		OWN: HOFFNER 07DEC2001		TE Connectivity	
mm	0 PLC ±	1 PLC ±	2 PLC ±	3 PLC ±	4 PLC ±	5 PLC ±	Harrisburg, PA 17105-3608
MATERIAL:		FINISH:		APVD: T. ELBIN 08DEC2011		NAME: Ocean Side Feed Applicator	
CUSTOMER DRAWING:		SCALE: 5:1		SHEET: 2 of 4		REV: D4	

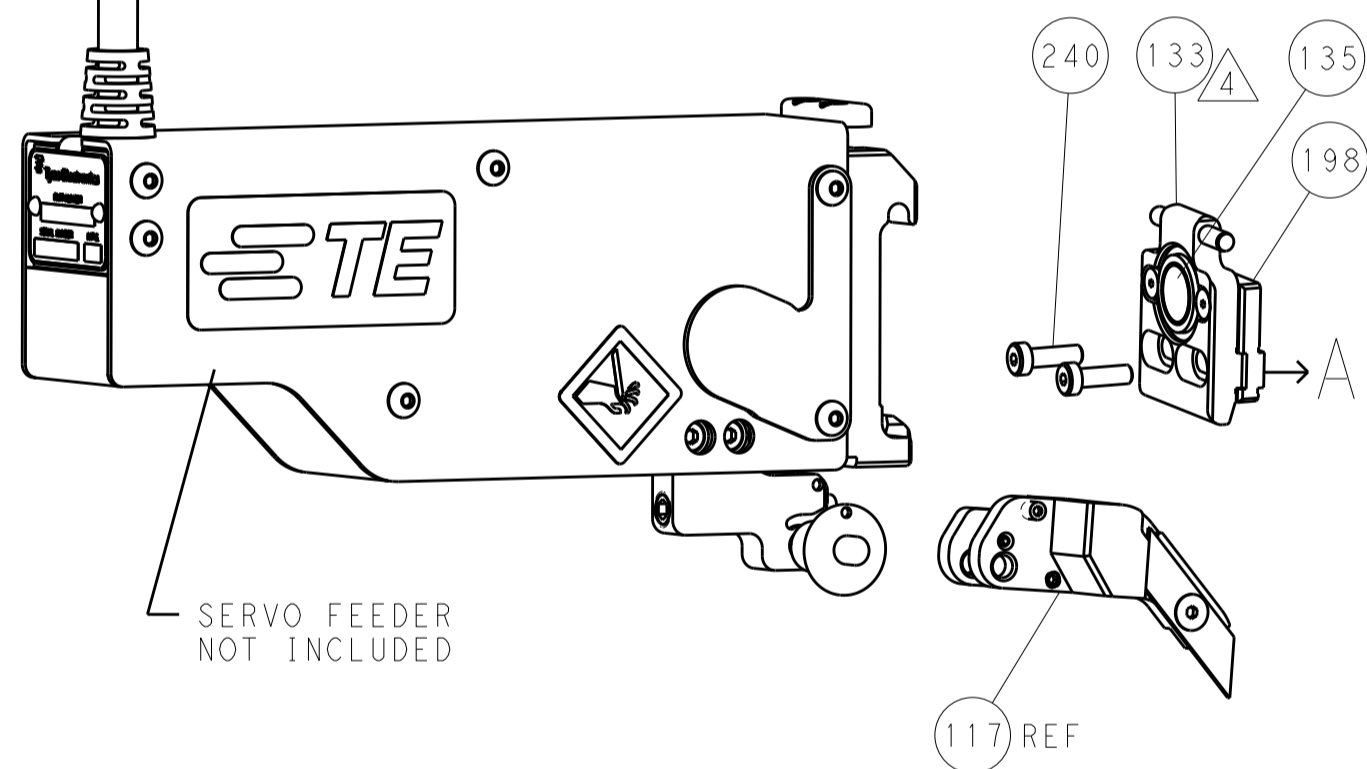
FEED TYPE MECHANICAL



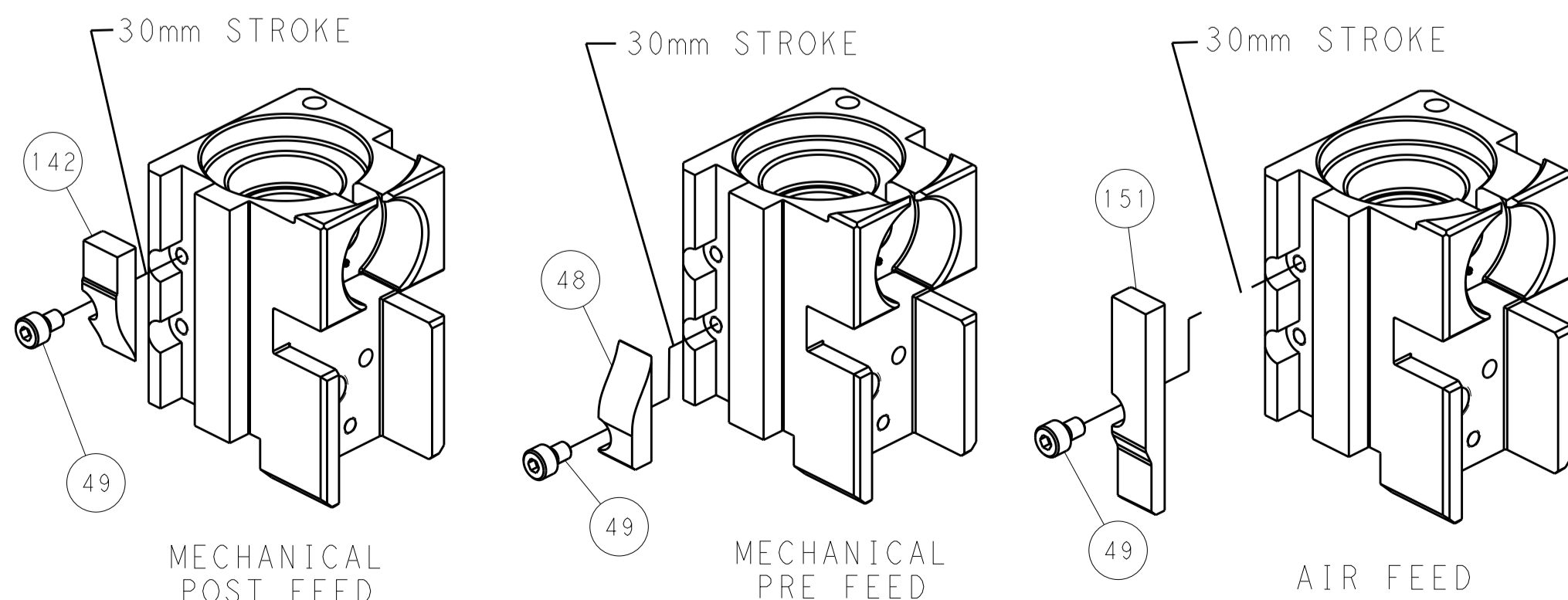
PNEUMATIC



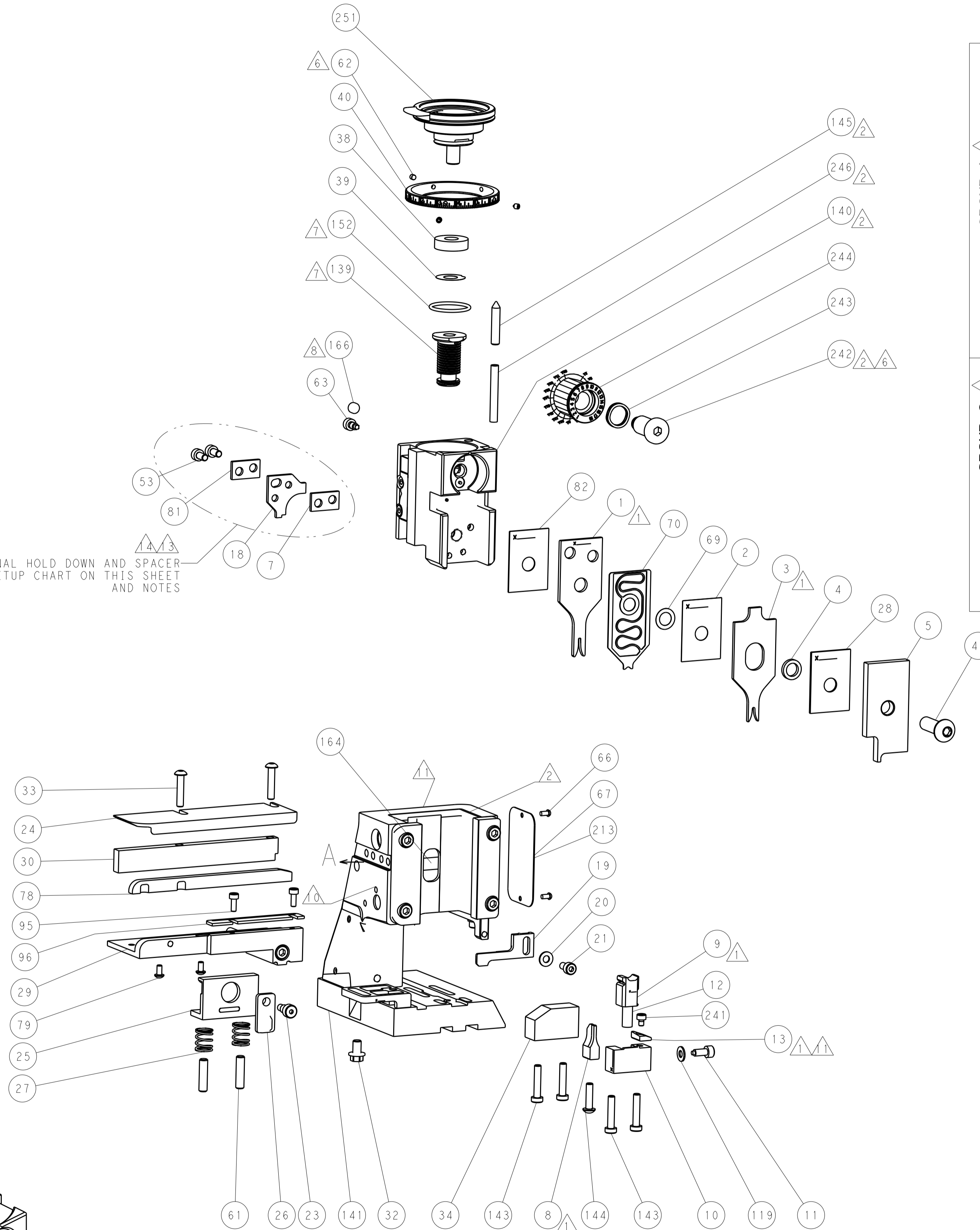
SERVO LATCH PLATE



CAM POSITIONS



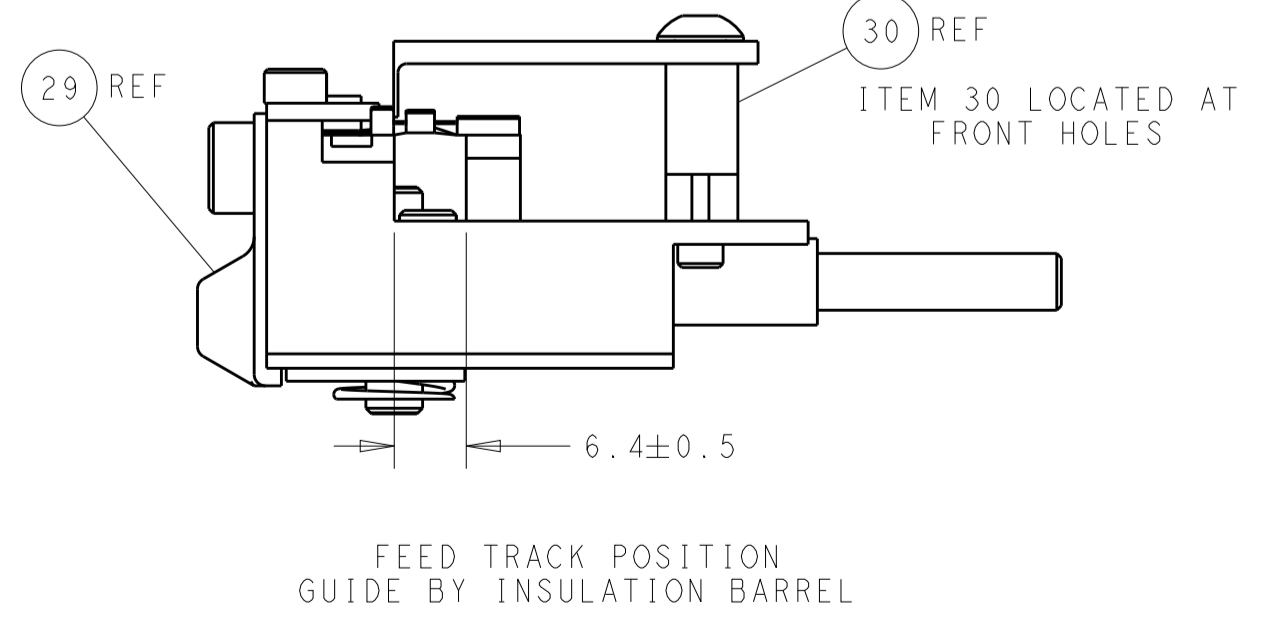
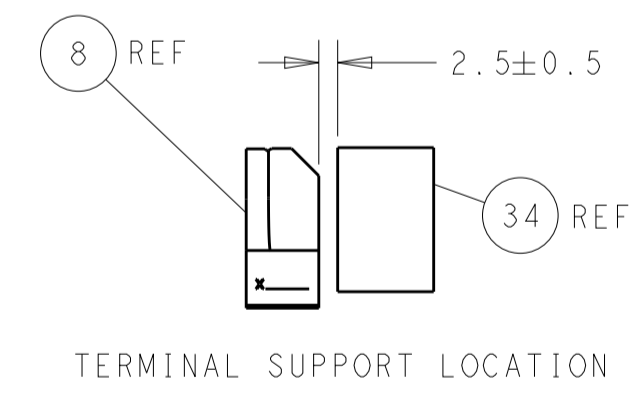
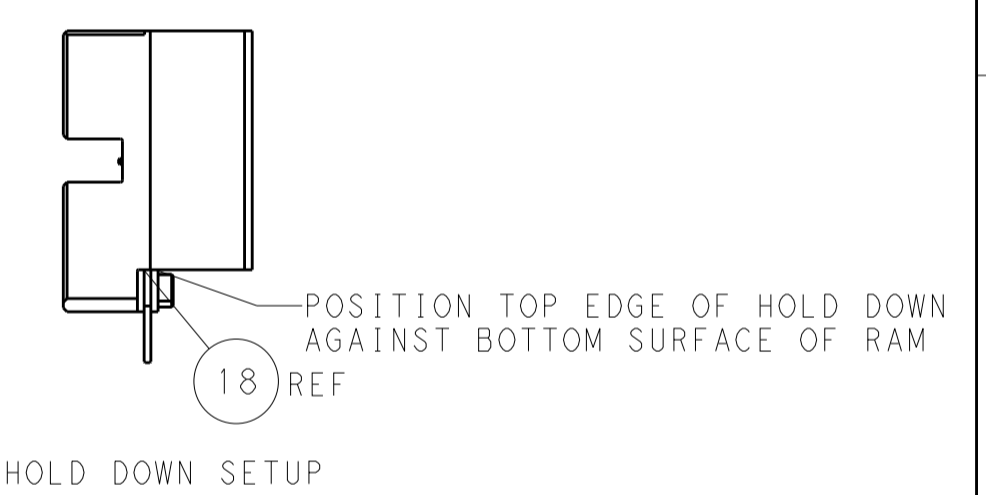
SEE TERMINAL HOLD DOWN AND SPACER SETUP CHART ON THIS SHEET AND NOTES



PACIFIC VERSION
 Shown on sheets 3 of 4 & 4 of 4
 (Atlantic version shown on sheets 1 of 4 & 2 of 4)

LOC	DIST	REV	DESCRIPTION	DATE	OWN	APVD
A	66		SEE SHEET 1			

TERMINAL HOLD DOWN & SPACER SETUP CHART	
GROUP 1 HOLD DOWN & SPACER TOOLING SETUP FOR TERMINALS: 928999-1 2-928918-2 928999-5 3-928918-2 928999-6 5-928918-1 5-928999-1 6-928918-1 5-928999-5 6-928918-2 5-928999-6 6-928918-3 6-928999-5 1394702-1 928918-1 1394702-2 928918-2 5-1394702-1 1-928918-1 5-1394702-2 1-928918-2	POSITION 1
HOLD DOWN & SPACER TOOLING SETUP FOR TERMINALS: 968893-1	POSITION 1
GROUP 2 HOLD DOWN & SPACER TOOLING SETUP FOR TERMINALS: 968220-1 5-968220-6 968220-5 1703296-1 968220-6 1703296-5 5-968220-1 1534116-1 5-968220-5 1534116-2 5-1534116-1	POSITION 2
HOLD DOWN & SPACER TOOLING SETUP FOR TERMINALS: 1241918-1	POSITION 2



DIMENSIONS: mm		TOLERANCES UNLESS OTHERWISE SPECIFIED: 0 PLC ± 1 PLC ± 2 PLC ± 3 PLC ± 4 PLC ± ANGLES ±		DWN: HOFFNER 07DEC2001 CHK: T. ELBIN 08DEC2011 APVD: T. ELBIN 08DEC2011 PRODUCT SPEC: APPLICATION SPEC: WEIGHT: CUSTOMER DRAWING:		NAME: SIZE: CAGE CODE DRAWING NO: SCALE: 5:1 SHEET 4 OF 4 REV: D4	
MATERIAL:		FINISH:		NAME: Ocean Side Feed Applicator SCALE: 5:1 SHEET 4 OF 4 REV: D4		RESTRICTED TO:	