



Chipsmall Limited consists of a professional team with an average of over 10 year of expertise in the distribution of electronic components. Based in Hongkong, we have already established firm and mutual-benefit business relationships with customers from,Europe,America and south Asia,supplying obsolete and hard-to-find components to meet their specific needs.

With the principle of “Quality Parts,Customers Priority,Honest Operation,and Considerate Service”,our business mainly focus on the distribution of electronic components. Line cards we deal with include Microchip,ALPS,ROHM,Xilinx,Pulse,ON,Everlight and Freescale. Main products comprise IC,Modules,Potentiometer,IC Socket,Relay,Connector.Our parts cover such applications as commercial,industrial, and automotives areas.

We are looking forward to setting up business relationship with you and hope to provide you with the best service and solution. Let us make a better world for our industry!



Contact us

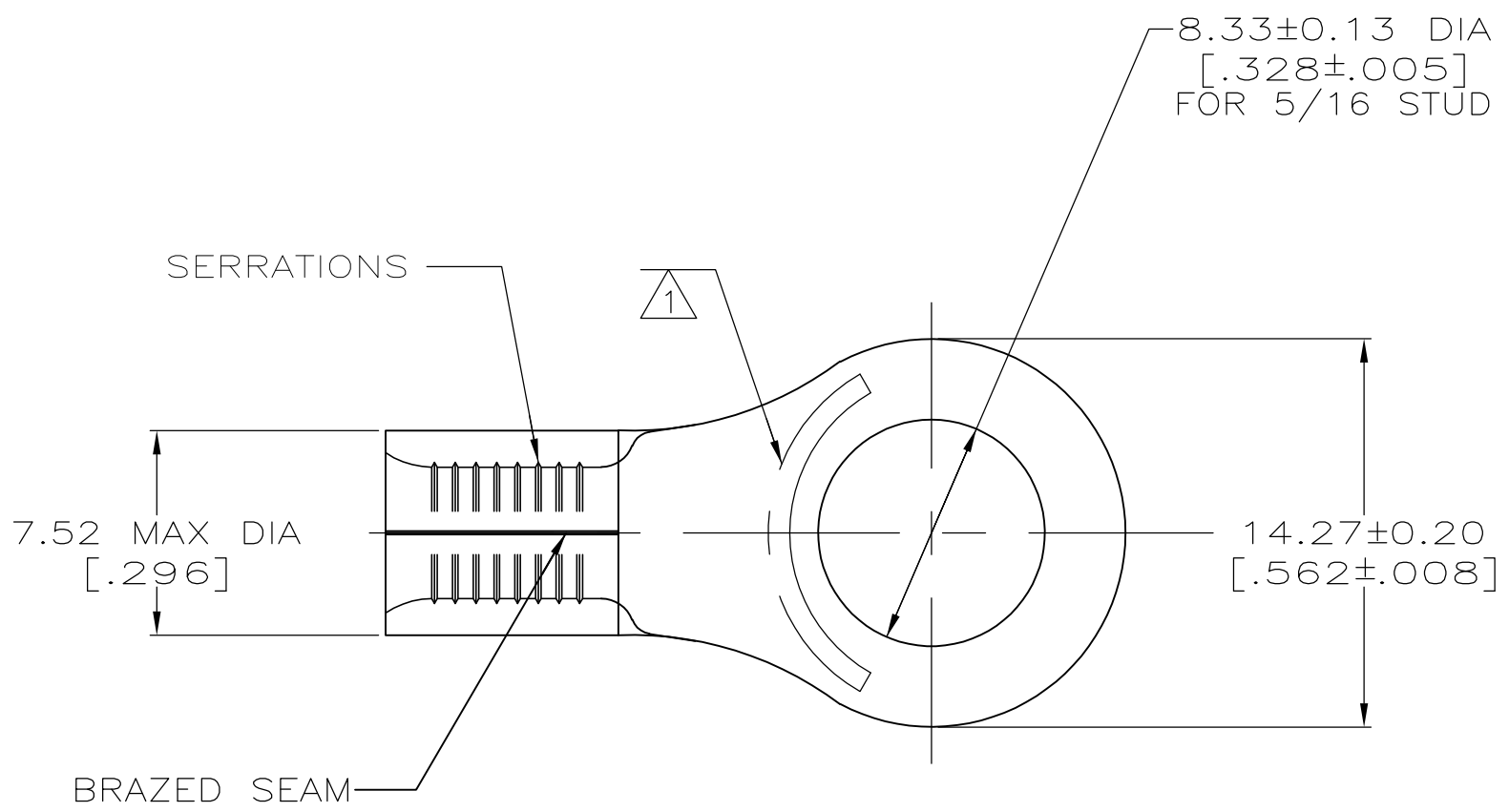
Tel: +86-755-8981 8866 Fax: +86-755-8427 6832

Email & Skype: info@chipsmall.com Web: www.chipsmall.com

Address: A1208, Overseas Decoration Building, #122 Zhenhua RD., Futian, Shenzhen, China

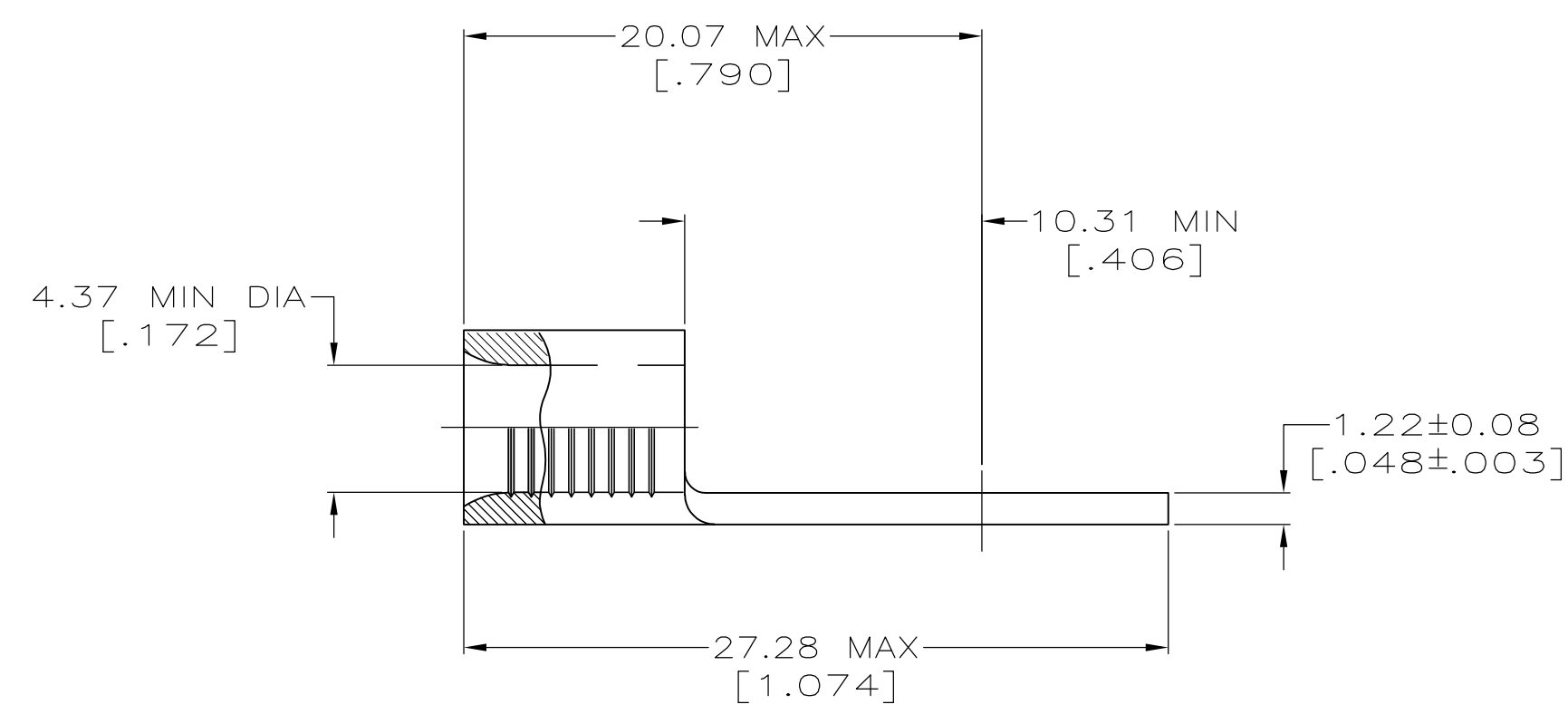


LOC	DIST	REVISIONS					
G	14	P	LTR	DESCRIPTION	DATE	OWN	APVD
		F1		REVISED PER ECO-11-004820	11MAR11	RK	HMR



AMP WIRE RANGE	UL Listed FILE E13288	LR7189 Certified	MILITARY P/N AND CLASS
8 AWG SOLID OR STRANDED	8 AWG STRANDED	8 AWG SOLID OR STRANDED	MS 20659-108 CLASS 2 PN 31808 ONLY

- 1 STAMP AMP 8* APPROX AS SHOWN
- 2 COPPER PER ASTM B-152, ANNEALED
- 3 0.00254 [.000100] MIN TIN PLATE PER ASTM B-545
- 4 LONGER WIRE BARREL THAN OTHER #8 AWG, PROPER WIRE STRIP LENGTH: 9.12-9.94 [.359-.390]; IGNORE TOOLING INSTRUCTION SHEET STRIP LENGTH



50	LOOSE PIECE, BOX	8-31808-2
1000	ON TAPE, REEL	2-31808-2
--	LOOSE PIECE	31808
QTY	PACKAGE TYPE	PART NO.

AMP INCORPORATED CUSTOMER SERVICE SYSTEMS		MAX RECOMMENDED OPERATING TEMPERATURE: 170°C MAX
FOR ADDITIONAL PRODUCT INFORMATION OR COPIES OF DRAWINGS AND TECHNICAL DOCUMENTS	PRODUCT INFORMATION CENTER 1-800-522-6752	VOLTAGE RATING: N/A
FOR APPLICATION	TOOLING ASSISTANCE CENTER 1-800-722-1111	CIRCULAR MIL AREA: 6.64-10.5mm² [13,100-20,800] SOLID OR STRANDED
FOR ORDER ENTRY	1-800-526-5142	THIS DRAWING IS A CONTROLLED DOCUMENT FOR AMP INCORPORATED. IT IS SUBJECT TO CHANGE AND THE CONTROLLING ENGINEERING ORGANIZATION SHOULD BE CONTACTED FOR THE LATEST REVISION.

THIS DRAWING IS A CONTROLLED DOCUMENT.		DWN TA BRINKMAN 3-24-93	STE TE Connectivity											
DIMENSIONS: mm[INCHES]		CHK DA PATTERSON 3-24-93												
TOLERANCES UNLESS OTHERWISE SPECIFIED:		APVD JL MECKLEY 3-24-93												
<table border="0"> <tr><td>0 PLC</td><td>± -</td></tr> <tr><td>1 PLC</td><td>± -</td></tr> <tr><td>2 PLC</td><td>± -</td></tr> <tr><td>3 PLC</td><td>± -</td></tr> <tr><td>4 PLC</td><td>± -</td></tr> <tr><td>ANGLES</td><td>± ± -</td></tr> </table>		0 PLC		± -	1 PLC	± -	2 PLC	± -	3 PLC	± -	4 PLC	± -	ANGLES	± ± -
0 PLC	± -													
1 PLC	± -													
2 PLC	± -													
3 PLC	± -													
4 PLC	± -													
ANGLES	± ± -													
MATERIAL	FINISH	APPLICATION SPEC	SIZE A2											
		WEIGHT	CAGE CODE 00779											
			DRAWING NO G-31808											
			RESTRICTED TO											
			CUSTOMER DRAWING											
			SCALE 4:1											
			SHEET 1 OF 1											
			REV F1											