



Chipsmall Limited consists of a professional team with an average of over 10 year of expertise in the distribution of electronic components. Based in Hongkong, we have already established firm and mutual-benefit business relationships with customers from,Europe,America and south Asia,supplying obsolete and hard-to-find components to meet their specific needs.

With the principle of “Quality Parts,Customers Priority,Honest Operation,and Considerate Service”,our business mainly focus on the distribution of electronic components. Line cards we deal with include Microchip,ALPS,ROHM,Xilinx,Pulse,ON,Everlight and Freescale. Main products comprise IC,Modules,Potentiometer,IC Socket,Relay,Connector.Our parts cover such applications as commercial,industrial, and automotives areas.

We are looking forward to setting up business relationship with you and hope to provide you with the best service and solution. Let us make a better world for our industry!



## Contact us

Tel: +86-755-8981 8866 Fax: +86-755-8427 6832

Email & Skype: info@chipsmall.com Web: www.chipsmall.com

Address: A1208, Overseas Decoration Building, #122 Zhenhua RD., Futian, Shenzhen, China

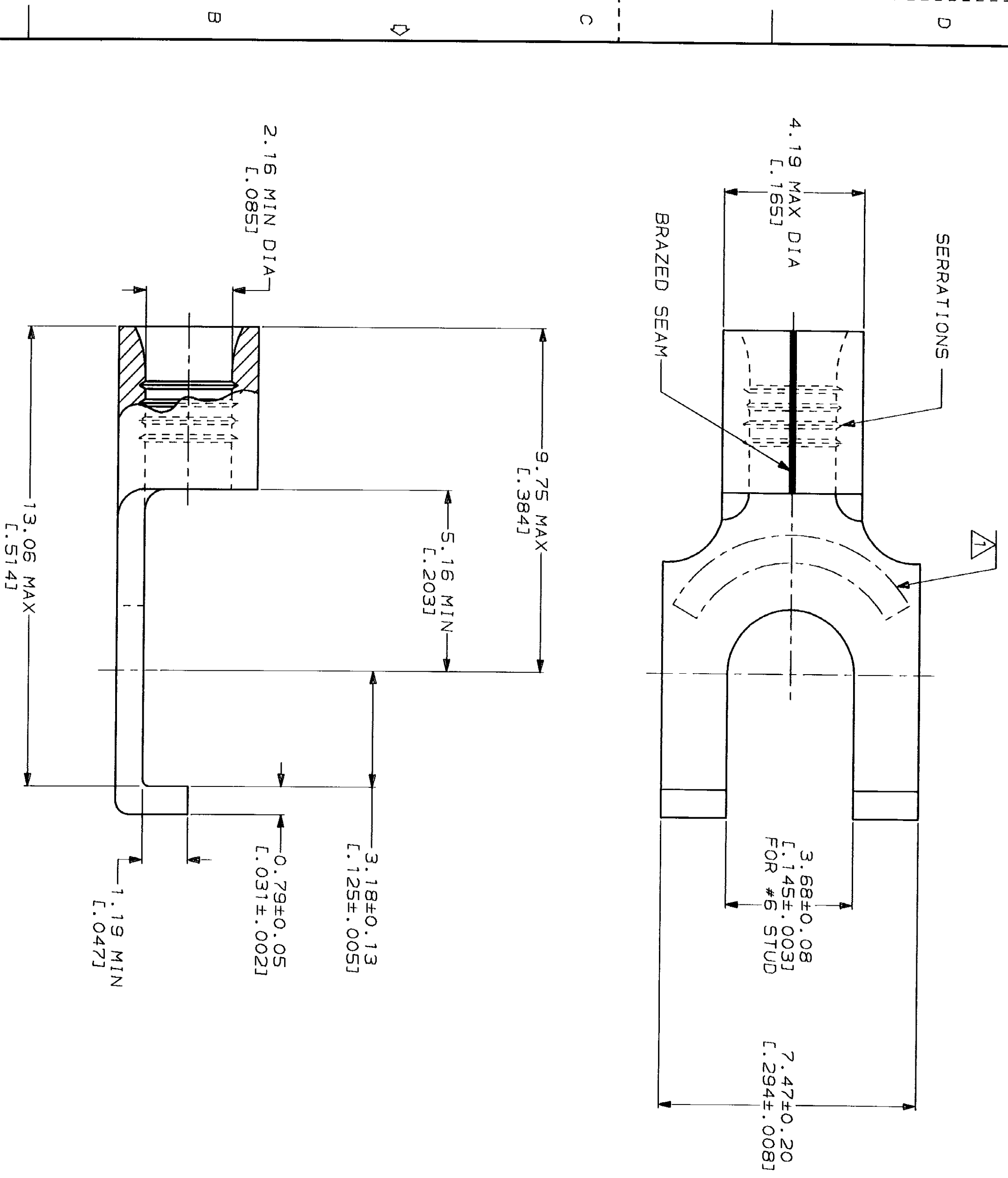


LOC	DIST	P	F	ZONE	LTR	REVISIONS	DESCRIPTION	DATE	APPRO
G	14					REV, RDRW, & SM PKG PER 0720-0040-93		4-8-93	1 <sup>st</sup> DAP

**METPRIG**  
DIMENSIONS LISTED IN mm [ INCHES ]

<b>AMP</b> WIRE RANGE 16-14 AWG SOLID OR STRANDED	<b>UL</b> E13288 Listed 16-14 AWG SOLID OR STRANDED
<b>LR7189</b> Certified 16-14 AWG SOLID OR STRANDED	MILITARY P/N AND CLASS NOT APPLICABLE

△ STAMP AMP 16-14\* APPROX AS SHOWN



**AMP INCORPORATED  
CUSTOMER SERVICE SYSTEMS**

FOR ADDITIONAL PRODUCT INFORMATION OR COPIES OF DRAWINGS AND TECHNICAL DOCUMENTS	PRODUCT INFORMATION CENTER 1-800-522-6752
FOR APPLICATION TOOLING INFORMATION	TOOLING ASSISTANCE CENTER 1-800-722-1111
FOR ORDER ENTRY	1-800-526-5142

MAX RECOMMENDED OPERATING  
TEMPERATURE:  
170°C MAX

VOLTAGE RATING:  
NOT APPLICABLE

WIRE CROSS SECTIONAL AREA RANGE:  
1.04-2.62mm<sup>2</sup> [2,050-5,180] CIR MILS  
SOLID OR STRANDED

THIS DRAWING IS A CONTROLLED DOCUMENT FOR AMP AND THE INFORMATION IS SUBJECT TO CHANGE AND THE INFORMATION SHOULD BE CONTACTED FOR THE LATEST REVISION.

DO NOT SCALE PRINT.  
UNLESS SPECIFIED  
DIMENSIONS IN mm [INCHES]  
TOLERANCES ON:  
2 PLC DEC #  
3 PLC DEC #  
ANGLES

MATERIAL  
COPPER PER  
ASTM B-152  
ANNEALED

FINISH  
TIN PLATE  
0.00254 [0.000100] MIN  
THK PER MIL-T-10727

DR 4-8-93 TA BRINKMAN	NAME
CHK 4-8-93 DA PATTERSON	AMP Incorporated Harrisburg, PA 17105-3608
APPD 4-8-93 DE MILLER	
APPD 4-8-93 JL MECKLEY	
PRODUCT SPEC	
APPLICATION SPEC	
WEIGHT	

QUANTITY	PACKAGING TYPE	PART NO
100	LOOSE PIECE, BOX	8-320855-1
5000	ON TAPE	2-320855-1
---	LOOSE PIECE	320855

TERMINAL, FLANGED  
SPADE, SOLISTRAND™

SIZE	CAGE CODE	DRAWING NO
G	00779	320855
SCALE	10:1	SHEET
		1 OF 1