



Chipsmall Limited consists of a professional team with an average of over 10 year of expertise in the distribution of electronic components. Based in Hongkong, we have already established firm and mutual-benefit business relationships with customers from,Europe,America and south Asia,supplying obsolete and hard-to-find components to meet their specific needs.

With the principle of “Quality Parts,Customers Priority,Honest Operation,and Considerate Service”,our business mainly focus on the distribution of electronic components. Line cards we deal with include Microchip,ALPS,ROHM,Xilinx,Pulse,ON,Everlight and Freescale. Main products comprise IC,Modules,Potentiometer,IC Socket,Relay,Connector.Our parts cover such applications as commercial,industrial, and automotives areas.

We are looking forward to setting up business relationship with you and hope to provide you with the best service and solution. Let us make a better world for our industry!



## Contact us

Tel: +86-755-8981 8866 Fax: +86-755-8427 6832

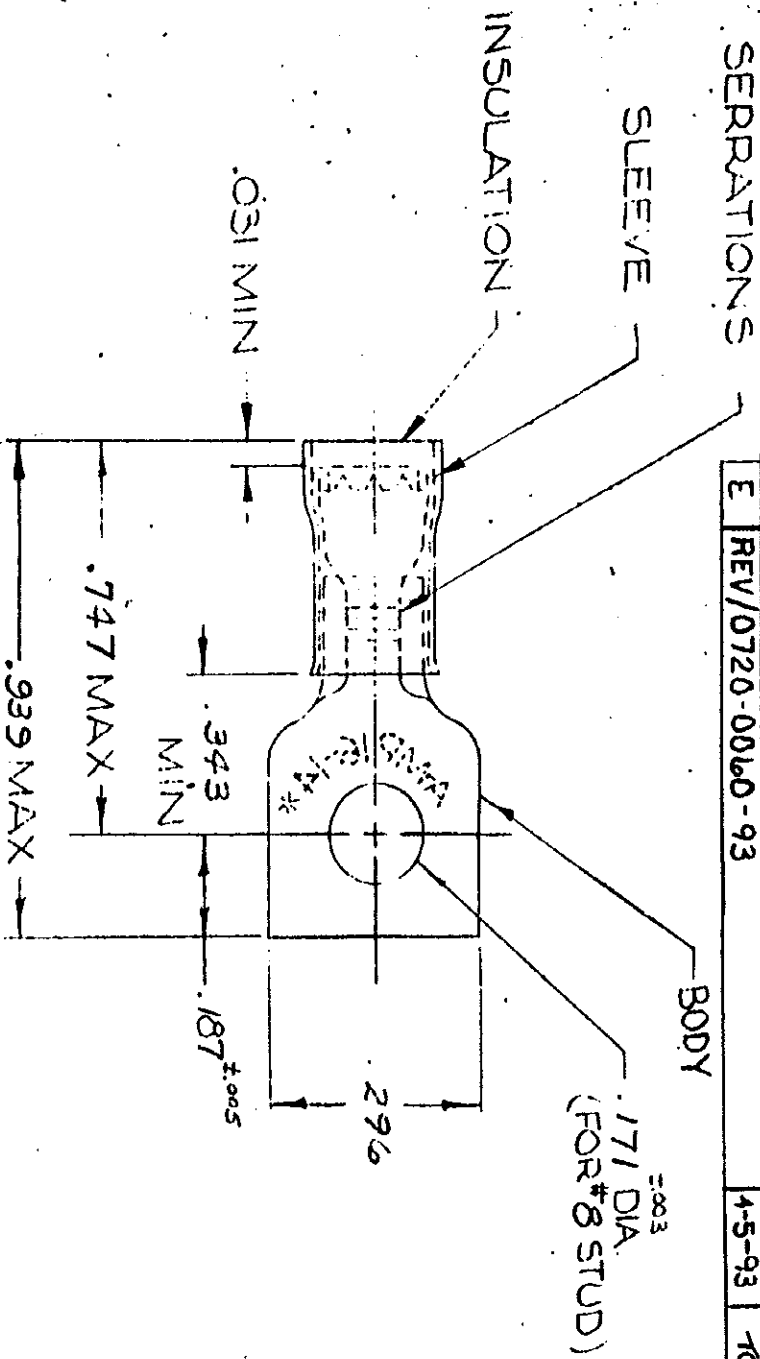
Email & Skype: info@chipsmall.com Web: www.chipsmall.com

Address: A1208, Overseas Decoration Building, #122 Zhenhua RD., Futian, Shenzhen, China



©1959 BY AMP INCORPORATED. ALL RIGHTS RESERVED. AMP PRODUCTS COVERED BY PATENTS AND/OR PATENTS PENDING.

REVISIONS			
LTR	DESCRIPTION	DATE	APPROVED
B	REDRAWN & REVISED	P.6079 9 <sup>th</sup>	3-12-70 FCY
C	KEY PER G-4732	JT	7/6/88 T. J. ST
D	REV PER G-5647		1/23/91 DMS/STE
E	REV/0720-0060-93		4-5-93 TO/ML



100	LOOSE PC, BOX	8-321283-1	
1	WIRE	321283	
	TERMINAL		
QTY	DESCRIPTION	PART NO.	
UNLESS OTHERWISE SPECIFIED DIMENSIONS ARE IN INCHES. TOLERANCES ON DECIMALS ±.008 ANGLES			
MATERIAL	INSULATION: MYLON COLOR: BLUE SLEEVE: COPPER (QQ-C-576) BODY: COPPER (QQ-C-576) TIN PL (MIL-T-10727) MATERIAL & FINISH		
SEE TABLE	NAME: AMP WIRE TERMINAL P.D.G. - RECTANGULAR TONGUE WIRE SIZE: 16-14 AMP INCORPORATED HARRISBURG, PENNSYLVANIA		
CONTRACT NO. #		3-5-70	
CHK BY		3/12-70	
APPRO		3-12-70	
REL		3-5-70	
DSGN APPD		1	
OTHER APPD			
SCALE	SIZE	CODE IDENT NO.	NUMBER
A	A	00779	321283
CUSTOMER DRAWING			