



Chipsmall Limited consists of a professional team with an average of over 10 year of expertise in the distribution of electronic components. Based in Hongkong, we have already established firm and mutual-benefit business relationships with customers from,Europe,America and south Asia,supplying obsolete and hard-to-find components to meet their specific needs.

With the principle of “Quality Parts,Customers Priority,Honest Operation,and Considerate Service”,our business mainly focus on the distribution of electronic components. Line cards we deal with include Microchip,ALPS,ROHM,Xilinx,Pulse,ON,Everlight and Freescale. Main products comprise IC,Modules,Potentiometer,IC Socket,Relay,Connector.Our parts cover such applications as commercial,industrial, and automotives areas.

We are looking forward to setting up business relationship with you and hope to provide you with the best service and solution. Let us make a better world for our industry!



Contact us

Tel: +86-755-8981 8866 Fax: +86-755-8427 6832

Email & Skype: info@chipsmall.com Web: www.chipsmall.com

Address: A1208, Overseas Decoration Building, #122 Zhenhua RD., Futian, Shenzhen, China



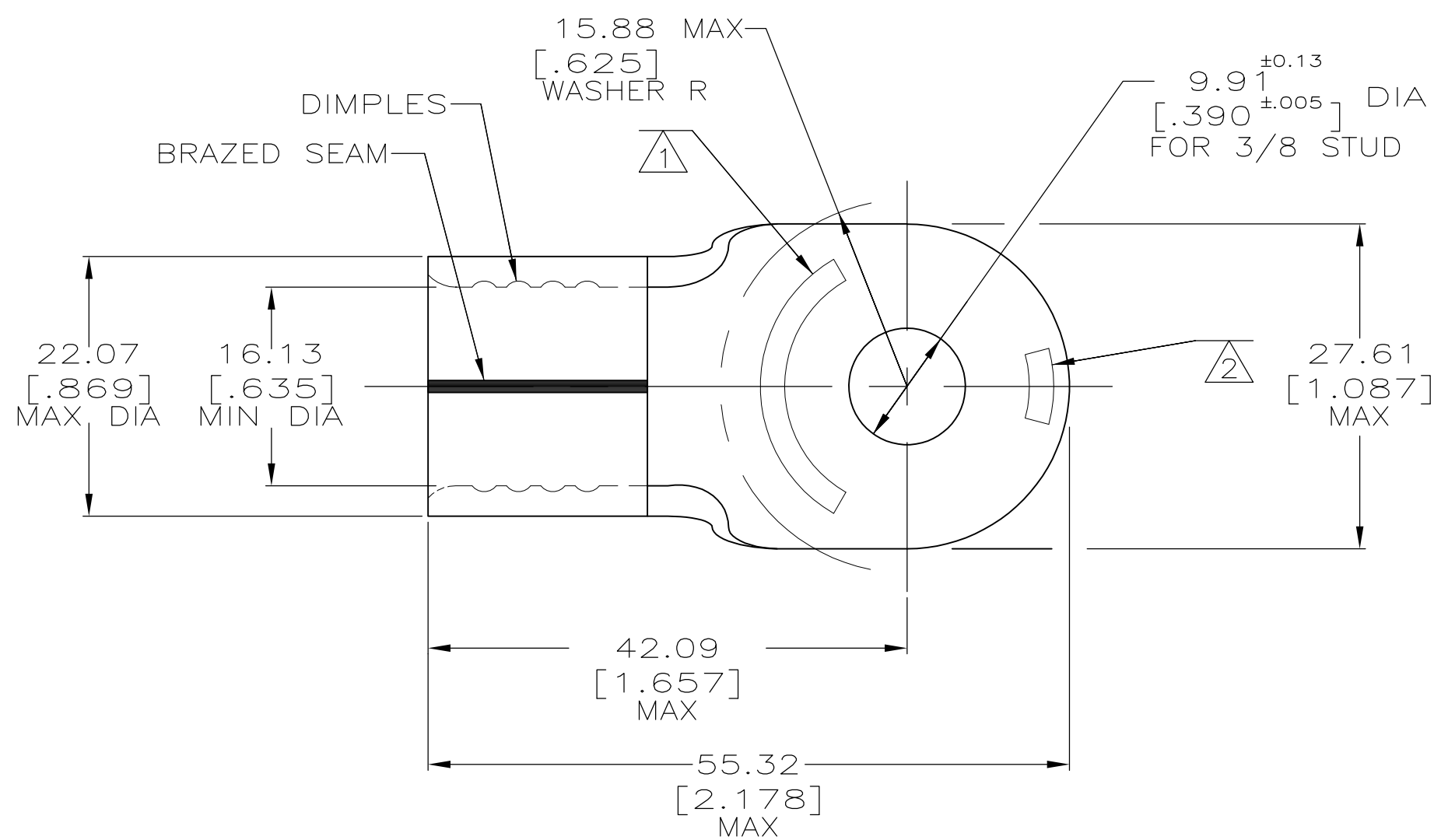
THIS DRAWING IS UNPUBLISHED. RELEASED FOR PUBLICATION
 © COPYRIGHT - By - ALL RIGHTS RESERVED.

LOC	DIST	REVISIONS					
G	14	P	LTR	DESCRIPTION	DATE	DWN	APVD
			H2	REVISED PER ECO-12-002699	13FEB12	KH	DR

PART NO	MATERIAL	PKG TYPE	QTY
8-321878-5	M/F 8-321878-0	BOX	5
8-321878-6	M/F 8-321878-0	SPL	5

OBSOLETE

AMP WIRE RANGE	E13288 Listed
4/0 AWG SOLID OR STRANDED	4/0 AWG SOLID OR STRANDED
LR7189 Certified	MILITARY P/N AND CLASS
4/0 AWG SOLID OR STRANDED	MS 20659-123 CLASS 2



- 1 STAMP AMP 4/0W* APPROX AS SHOWN
- 2 STAMP AMP 200 APPROX AS SHOWN
- 3 MATERIAL THK: 2.59±0.08 [.102±.003]
- 4 TIN PLATE 0.00254[.000100] MIN EXT. THK PER ASTM B545.
- 5 NICKEL PLATE 0.00762[.000300] MIN EXT THK PER SAE AMS QQ-N-290.
- 6 PART IS NOT UL LISTED OR CSA CERTIFIED OR MILITARY QUALIFIED.

6 5	343°C [650°F]	321878-1
4	170°C [338°F]	321878
	RECOMMENDED OPERATING TEMP.	PART NUMBER

AMP INCORPORATED CUSTOMER SERVICE SYSTEMS		MAX RECOMMENDED OPERATING TEMPERATURE: SEE TABLE
FOR ADDITIONAL PRODUCT INFORMATION OR COPIES OF DRAWINGS AND TECHNICAL DOCUMENTS	PRODUCT INFORMATION CENTER 1-800-522-6752	VOLTAGE RATING: NOT APPLICABLE
FOR APPLICATION TOOLING INFORMATION	TOOLING ASSISTANCE CENTER 1-800-722-1111	WIRE CROSS SECTIONAL AREA RANGE: 96.3-117.0mm² [190,000-231,100] CIR MILS SOLID OR STRANDED
FOR ORDER ENTRY	1-800-526-5142	

THIS DRAWING IS A CONTROLLED DOCUMENT.	
DIMENSIONS: mm [INCHES]	TOLERANCES UNLESS OTHERWISE SPECIFIED:
	0 PLC ± -
	1 PLC ± -
	2 PLC ± 0.20[.008]
	3 PLC ± -
	4 PLC ± -
	ANGLES ± -
MATERIAL COPPER PER ASTM B-152 ANNEALED	FINISH 4

DWN DK SCHRUM 5/25/93	TE Connectivity		
CHK RD HEIM 1/27/94	NAME TERMINAL, RING TONGUE, SOLISTRAND		
APVD RE ROSER 1/27/94	PRODUCT SPEC	APPLICATION SPEC	RESTRICTED TO
SIZE A3	CAGE CODE 00779	DRAWING NO G-321878	REVISIONS H2
WEIGHT -	CUSTOMER DRAWING	SCALE 2:1	SHEET 1 OF 1