



Chipsmall Limited consists of a professional team with an average of over 10 year of expertise in the distribution of electronic components. Based in Hongkong, we have already established firm and mutual-benefit business relationships with customers from,Europe,America and south Asia,supplying obsolete and hard-to-find components to meet their specific needs.

With the principle of “Quality Parts,Customers Priority,Honest Operation,and Considerate Service”,our business mainly focus on the distribution of electronic components. Line cards we deal with include Microchip,ALPS,ROHM,Xilinx,Pulse,ON,Everlight and Freescale. Main products comprise IC,Modules,Potentiometer,IC Socket,Relay,Connector.Our parts cover such applications as commercial,industrial, and automotives areas.

We are looking forward to setting up business relationship with you and hope to provide you with the best service and solution. Let us make a better world for our industry!



Contact us

Tel: +86-755-8981 8866 Fax: +86-755-8427 6832



Email & Skype: info@chipsmall.com Web: www.chipsmall.com

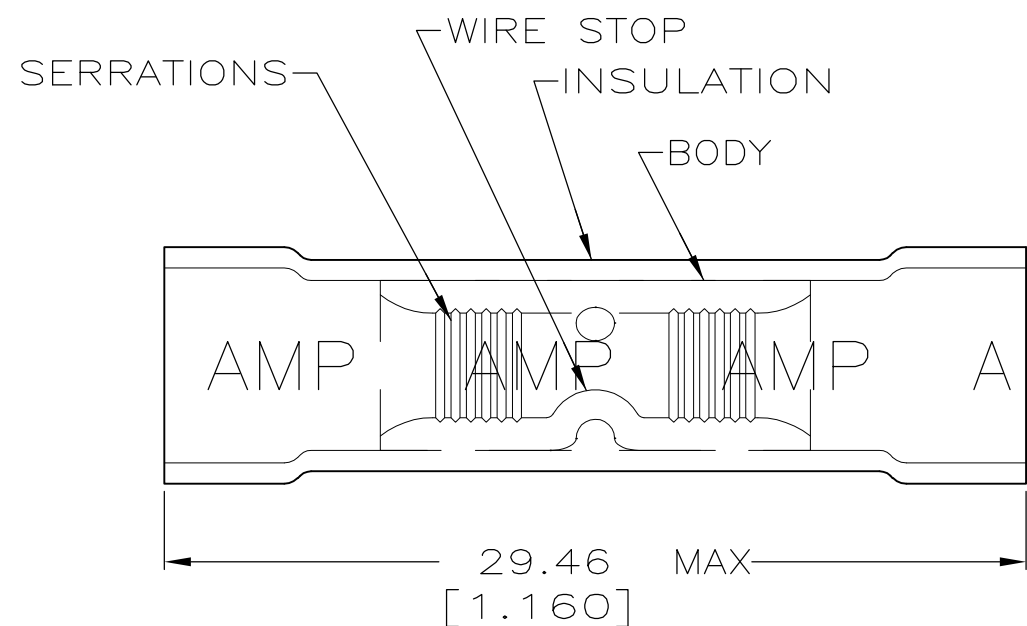
Address: A1208, Overseas Decoration Building, #122 Zhenhua RD., Futian, Shenzhen, China



THIS DRAWING IS UNPUBLISHED. RELEASED FOR PUBLICATION
 © COPYRIGHT - By - ALL RIGHTS RESERVED.


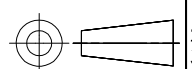
LOC	DIST	REVISIONS					
		P	LTR	DESCRIPTION	DATE	DWN	APVD
G	14		L2	REVISED PER ECO-11-004820	11MAR11	RK	HMR

AMP WIRE RANGE	 E13288	 LR7189 Certified
12-10 SOLID OR STRANDED	12-10 SOLID OR STRANDED	12-10 SOLID OR STRANDED



1. WIRE INSUL DIA,
 3.81-5.84 [.150-.230]

QTY	PACKAGE TYPE	PART NO
-	-	-
25	LOOSE PIECE, BAG	8-34072-5
5	LOOSE PIECE, BLS	8-34072-4
100	LOOSE PIECE, BOX	8-34072-1
1500	ON TAPE, REEL	2-34072-2
500	LOOSE PIECE	34072

AMP INCORPORATED CUSTOMER SERVICE SYSTEM		MAX RECOMMENDED OPERATING TEMPERATURE: 90° C [194° F]	THIS DRAWING IS A CONTROLLED DOCUMENT.		DWN M ELLIS 19JUL95	 TE Connectivity			
FOR ADDITIONAL PRODUCT INFORMATION OR COPIES OF DRAWINGS AND TECHNICAL DOCUMENTS	PRODUCT INFORMATION CENTER 1-800-522-6752		DIMENSIONS: mm [INCHES]	TOLERANCES UNLESS OTHERWISE SPECIFIED:	CHK C PRESNELL 19JUL95				
FOR APPLICATION TOOLING INFORMATION	TOOLING ASSISTANCE CENTER 1-800-722-1111	VOLTAGE RATING: 600V MAX 1000V (FIXTURES OR SIGNS)		0 PLC ± - 1 PLC ± - 2 PLC ± - 3 PLC ± - 4 PLC ± - ANGLES ± -	APVD S BORTNER 19JUL95	NAME SPLICE, BUTT, PLASTI-GRIP™ WIRE SIZE, 12-10 AWG			
FOR ORDER ENTRY	1-800-526-5142	CIRCULAR MIL AREA: 2.62mm² - 6.64mm² [5180-13100]	MATERIAL BODY, CU ASTM B 152 SLV, PVC, COLOR, YELLO	FINISH TIN PLATE PER MIL-T-10727	PRODUCT SPEC UL486A	SIZE A3	CAGE CODE 00779	DRAWING NO C-34072	RESTRICTED TO
					WEIGHT -	SCALE 4:1		SHEET 1 OF 1	REV L2