



Chipsmall Limited consists of a professional team with an average of over 10 year of expertise in the distribution of electronic components. Based in Hongkong, we have already established firm and mutual-benefit business relationships with customers from,Europe,America and south Asia,supplying obsolete and hard-to-find components to meet their specific needs.

With the principle of “Quality Parts,Customers Priority,Honest Operation,and Considerate Service”,our business mainly focus on the distribution of electronic components. Line cards we deal with include Microchip,ALPS,ROHM,Xilinx,Pulse,ON,Everlight and Freescale. Main products comprise IC,Modules,Potentiometer,IC Socket,Relay,Connector.Our parts cover such applications as commercial,industrial, and automotives areas.

We are looking forward to setting up business relationship with you and hope to provide you with the best service and solution. Let us make a better world for our industry!



Contact us

Tel: +86-755-8981 8866 Fax: +86-755-8427 6832

Email & Skype: info@chipsmall.com Web: www.chipsmall.com

Address: A1208, Overseas Decoration Building, #122 Zhenhua RD., Futian, Shenzhen, China

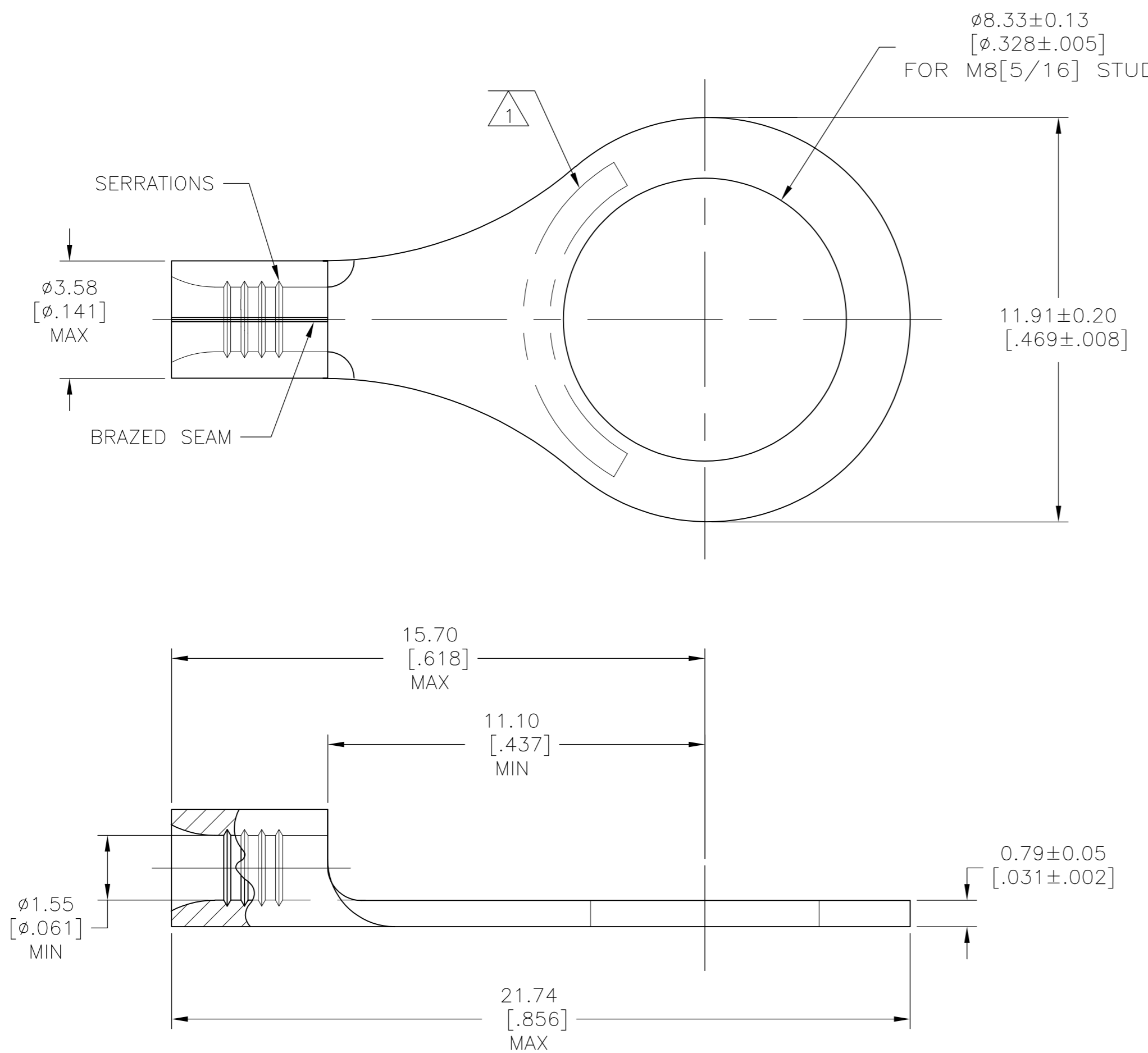


THIS DRAWING IS UNPUBLISHED. RELEASED FOR PUBLICATION
 © COPYRIGHT - By - ALL RIGHTS RESERVED.

LOC	DIST	REVISIONS					
G	14	P	LTR	DESCRIPTION	DATE	DWN	APVD
		D		REVISED PER ECO-10-012870	28APR11	HMR	DR

AMP
WIRE RANGE

22-16 AWG
SOLID OR STRANDED



- 1 STAMP AMP 22-18* APPROX AS SHOWN
22-16 TERMINALS ARE STAMPED 22-18 IN ACCORDANCE WITH MILITARY SPEC SAE AS7928
COMMERCIAL WIRE RANGE IS 22-16
- 2 TIN PLATE 0.00254[.000100] MIN EXT THK PER ASTM-B545
- 3 GOLD PLATE 0.00127[.000050] MIN EXT THK PER ASTM-B488 TYPE 1 CODE C OVER NICKEL PLATE
0.00076[.000050] MIN EXT THK PER SAE AMS QQ-N-290 OVER Cu FLASH PER SAE AMS 2418
- 4 CLEANED, UNPLATED
- 5 NICKEL PLATED 0.00762 [.000300] MIN EXT THK PER SAE AMS QQ-N-290.
- 6 UL LISTED E13288, 22-16 AWG SOLID OR STRANDED.
- 7 CSA CERTIFIED LR7189, 22-16 AWG SOLID OR STRANDED
- 8 MILITARY P/N AND CLASS: M7928/7-5 CLASS 2
- 9 COPPER PER ASTM B152 ANNEALED
- 10 PRELIMINARY - NOT FOR PRODUCTION

7 6	100	170°C MAX	LOOSE PIECE, BOX	2	8-34114-1
8 7 6	5000	170°C MAX	34114 ON TAPE	2	2-34114-2
	1000	343°C MAX	LOOSE PIECE	5	10 34114-4
	1000	170°C MAX	LOOSE PIECE	4	10 34114-3
	1000	260°C MAX	LOOSE PIECE	3	34114-1
8 7 6	1000	170°C MAX	LOOSE PIECE	2	34114
	QTY	MAX TEMP.	PACKAGE TYPE	FINISH	PART NUMBER

AMP INCORPORATED CUSTOMER SERVICE SYSTEMS		MAX RECOMMENDED OPERATING TEMPERATURE: SEE TABLE	THIS DRAWING IS A CONTROLLED DOCUMENT.		DWN TA BRINKMAN 3-10-93 CHK DA PATTERSON 3-10-93 APVD DE MILLER 3-10-93				
FOR ADDITIONAL PRODUCT INFORMATION OR COPIES OF DRAWINGS AND TECHNICAL DOCUMENTS PRODUCT INFORMATION CENTER 1-800-522-6752	FOR APPLICATION TOOLING INFORMATION TOOLING ASSISTANCE CENTER 1-800-722-1111	VOLTAGE RATING: N/A	DIMENSIONS: mm [INCHES]	TOLERANCES UNLESS OTHERWISE SPECIFIED: 0 PLC ± - 1 PLC ± - 2 PLC ± 0.20 [.008] 3 PLC ± - 4 PLC ± - ANGLES ± -	NAME TERMINAL, RING TONGUE, SOLISTRAND	SIZE A2	CAGE CODE 00779	DRAWING NO C-34114	RESTRICTED TO -
FOR ORDER ENTRY 1-800-526-5142	THIS DRAWING IS A CONTROLLED DOCUMENT FOR AMP INCORPORATED. IT IS SUBJECT TO CHANGE AND THE CONTROLLING ENGINEERING ORGANIZATION SHOULD BE CONTACTED FOR THE LATEST REVISION.		MATERIAL 9	FINISH SEE TABLE	WEIGHT -	SCALE 8:1	SHEET 1 OF 1	REV D	CUSTOMER DRAWING