



Chipsmall Limited consists of a professional team with an average of over 10 year of expertise in the distribution of electronic components. Based in Hongkong, we have already established firm and mutual-benefit business relationships with customers from,Europe,America and south Asia,supplying obsolete and hard-to-find components to meet their specific needs.

With the principle of “Quality Parts,Customers Priority,Honest Operation,and Considerate Service”,our business mainly focus on the distribution of electronic components. Line cards we deal with include Microchip,ALPS,ROHM,Xilinx,Pulse,ON,Everlight and Freescale. Main products comprise IC,Modules,Potentiometer,IC Socket,Relay,Connector.Our parts cover such applications as commercial,industrial, and automotives areas.

We are looking forward to setting up business relationship with you and hope to provide you with the best service and solution. Let us make a better world for our industry!



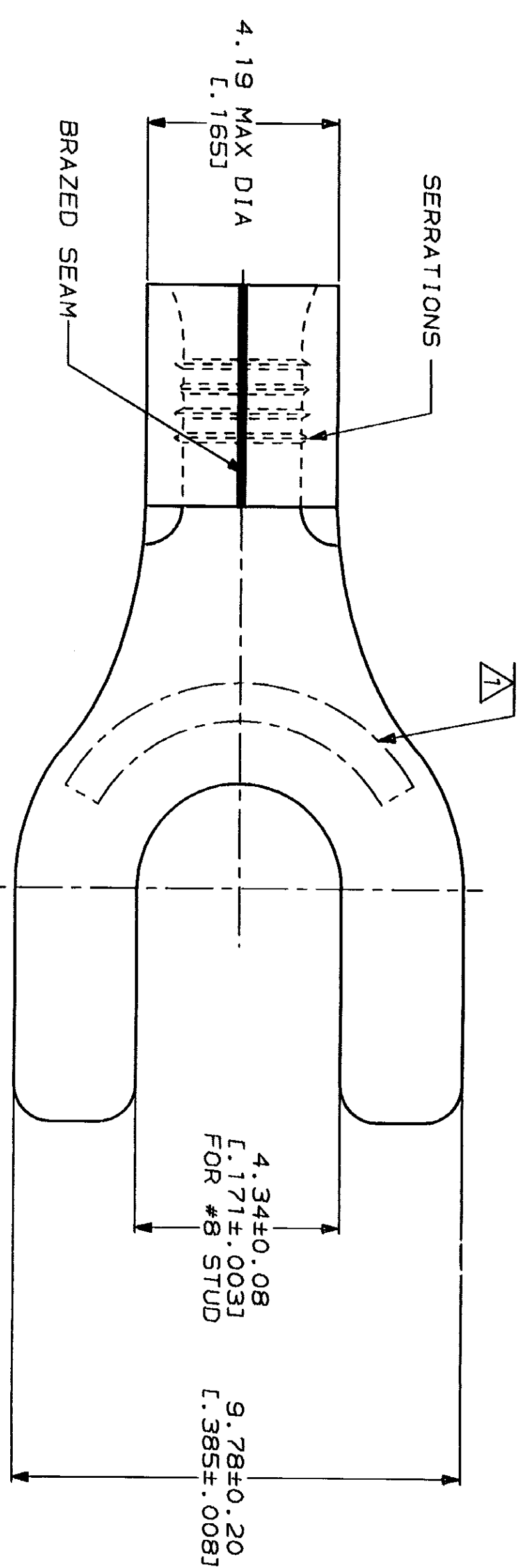
Contact us

Tel: +86-755-8981 8866 Fax: +86-755-8427 6832

Email & Skype: info@chipsmall.com Web: www.chipsmall.com

Address: A1208, Overseas Decoration Building, #122 Zhenhua RD., Futian, Shenzhen, China



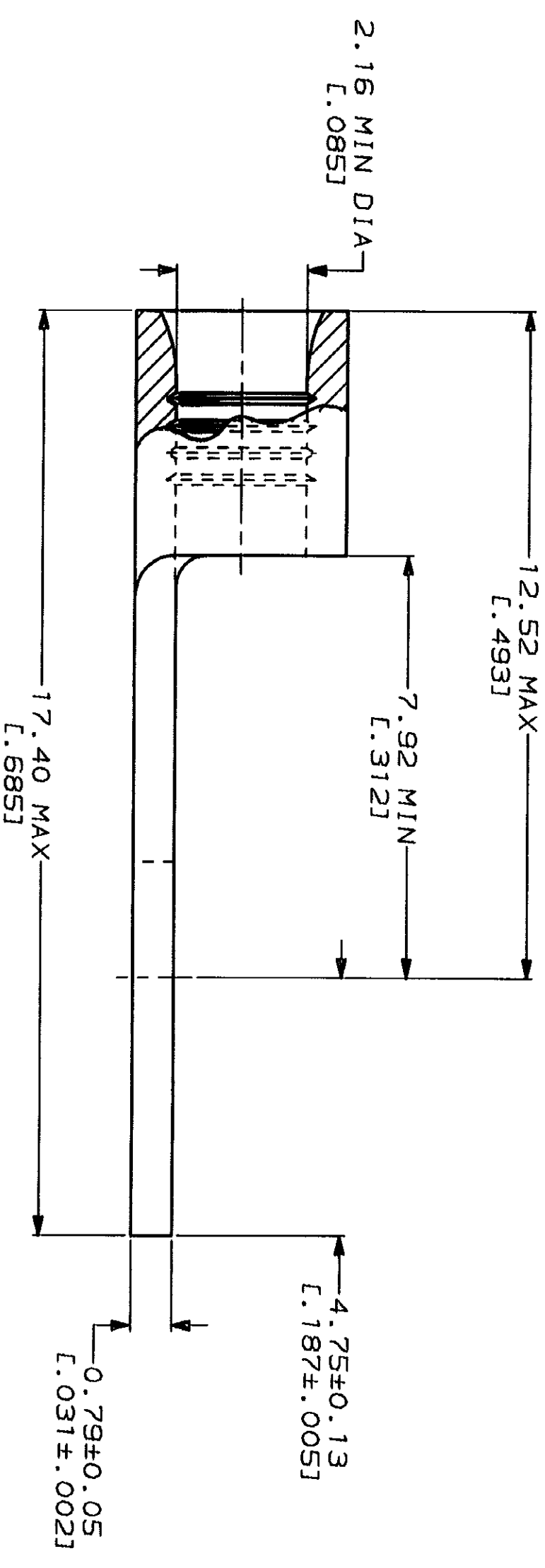


METRIC
DIMENSIONS LISTED IN mm [INCHES]

AMP WIRE RANGE	UL E13288 Listed
16-14 AWG SOLID OR STRANDED	16-14 AWG SOLID OR STRANDED P/N 34128 & 8-34128-1 & 8-34128-5 ONLY

LR7189 Certified	MILITARY P/N AND CLASS
16-14 AWG SOLID OR STRANDED P/N 34128 & 8-34128-1 & 8-34128-5 ONLY	NOT APPLICABLE

△ STAMP AMP 16-14* APPROX AS SHOWN



QUANTITY	PACKAGE TYPE	MAX OPERATING TEMPERATURE	FINISH	PART NO
50	LOOSE PIECE BAG 34128	170°C	TIN PLATE 0.00254L.000100] MIN THK PER MIL-T-10727	8-34128-5
100	LOOSE PIECE BOX 34128	170°C	TIN PLATE 0.00254L.000100] MIN THK PER MIL-T-10727	8-34128-1
---	LOOSE PIECE	343°C	NICKEL PLATE 0.000762L.000030] MIN THK PER QQ-N-290	34128-1
---	LOOSE PIECE	170°C	TIN PLATE 0.00254L.000100] MIN THK PER MIL-T-10727	34128

AMP INCORPORATED
CUSTOMER SERVICE SYSTEMS

FOR ADDITIONAL PRODUCT INFORMATION OR COPIES OF DRAWINGS AND TECHNICAL DOCUMENTS
PRODUCT INFORMATION CENTER
1-800-522-6752

FOR APPLICATION TOOLING INFORMATION
TOOLING ASSISTANCE CENTER
1-800-722-1111

FOR ORDER ENTRY
1-800-526-5142

MAX RECOMMENDED OPERATING TEMPERATURE: SEE TABLE
VOLTAGE RATING: NOT APPLICABLE
WIRE CROSS SECTIONAL AREA RANGE: 1.04-2.62mm² [2.050-5.180] CIR MILS SOLID OR STRANDED

DO NOT SCALE PRINT. UNLESS SPECIFIED DIMENSIONS IN mm. TOLERANCES ON: 1 PLG DEC ± .1 2 PLG DEC ± .1 3 PLG DEC ± .1 ANGLES MATERIAL COPPER PER ASTM B-152 ANNEALED

DR TA BRINKMAN
CHK 3-26-93
DA PATTERSON
APPD 3-26-93
DE MILLER
APPD 3-26-93
JL MECKLEY
PRODUCT SPEC

AMP Incorporated
Harrisburg, PA 17105-3608

TERMINAL, SPADE TONGUE, SOLISTRAND™

SIZE CAGE CODE DRAWING NO
SCALE 10:1 00779 G=34128