



Chipsmall Limited consists of a professional team with an average of over 10 year of expertise in the distribution of electronic components. Based in Hongkong, we have already established firm and mutual-benefit business relationships with customers from,Europe,America and south Asia,supplying obsolete and hard-to-find components to meet their specific needs.

With the principle of “Quality Parts,Customers Priority,Honest Operation,and Considerate Service”,our business mainly focus on the distribution of electronic components. Line cards we deal with include Microchip,ALPS,ROHM,Xilinx,Pulse,ON,Everlight and Freescale. Main products comprise IC,Modules,Potentiometer,IC Socket,Relay,Connector.Our parts cover such applications as commercial,industrial, and automotives areas.

We are looking forward to setting up business relationship with you and hope to provide you with the best service and solution. Let us make a better world for our industry!



## Contact us

Tel: +86-755-8981 8866 Fax: +86-755-8427 6832

Email & Skype: info@chipsmall.com Web: www.chipsmall.com

Address: A1208, Overseas Decoration Building, #122 Zhenhua RD., Futian, Shenzhen, China



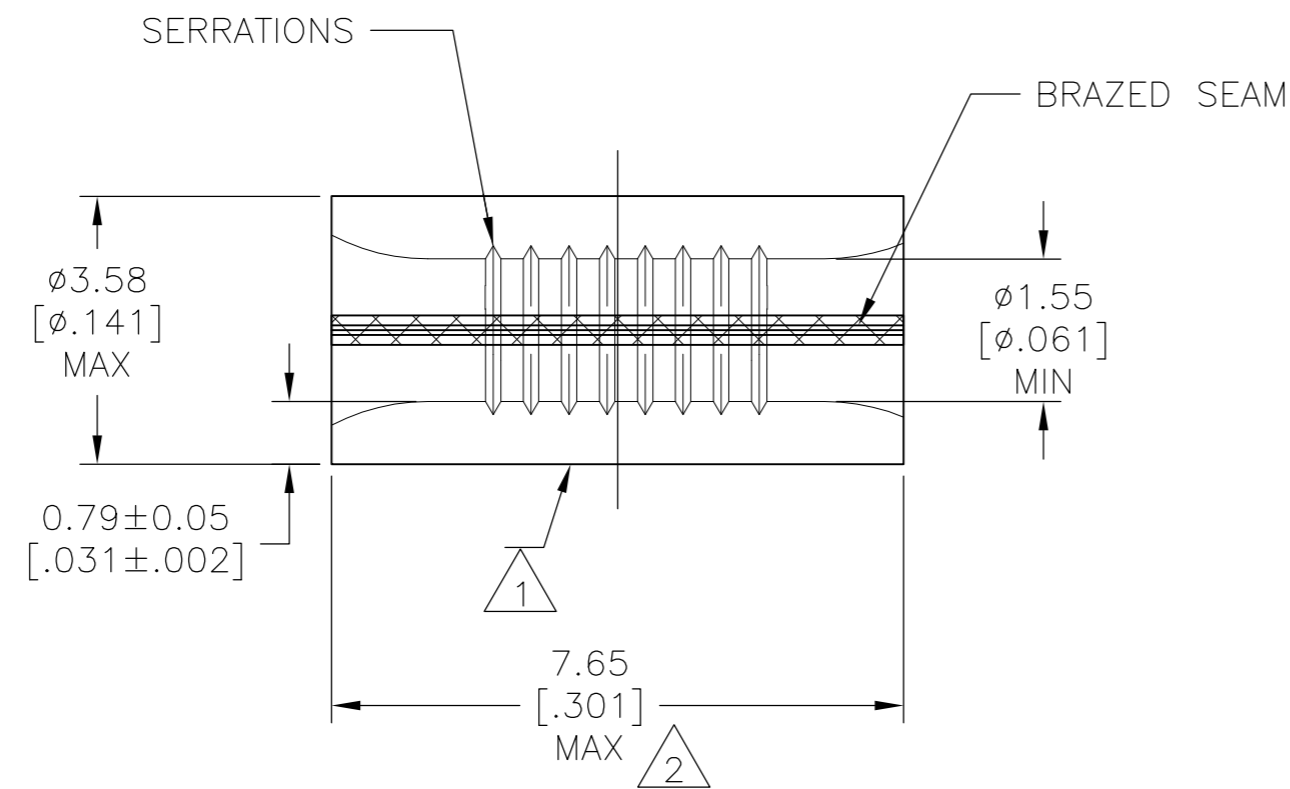
THIS DRAWING IS UNPUBLISHED. RELEASED FOR PUBLICATION  
 © COPYRIGHT - By - ALL RIGHTS RESERVED.

LOC	DIST	REVISIONS					
		P	LTR	DESCRIPTION	DATE	DWN	APVD
G	14	T		REVISED PER ECO-110-012870	28APR11	HMR	DR

**AMP**  
WIRE RANGE

---

22-16 AWG  
SOLID OR STRANDED



- 1 STAMP AMP 22-18\* APPROX AS SHOWN 22-16 SPLICES ARE STAMPED 22-18 IN ACCORDANCE WITH MILITARY SPEC SAE AS7928 COMMERCIAL WIRE RANGE IS 22-16
- 2 MAXIMUM LENGTH DOES NOT INCLUDE MANUFACTURING TABS.
- 3 GOLD PLATE 0.00127 [.000050] MIN EXT THK PER ASTM B 488 TYPE 1, CODE C OVER NICKEL PLATE 0.00127 [.000050] MIN EXT THK PER SAE AMS QQ-N-290. OVER Cu FLASH PER SAE AMS 2418.
- 4 CSA CERTIFIED LR7189, 22-16 AWG SOLID OR STRANDED
- 5 UL LISTED E13288, 22-16 AWG SOLID OR STRANDED.
- 6 MATERIAL: COPPER PER ASTM B-152 ANNEALED
- 7 0.00254 [.000100] MIN EXT THK TIN PLATE PER ASTM B-545
- 8 0.00254 [.000100] MIN EXT THK TIN-LEAD (60/40) PLATE PER SAE-AMS-P-81728

MAX TEMP	APPROVALS	QTY	PACKAGE TYPE	PART NO
170°C	4 5	100	LOOSE PIECE, BOX SPECIAL (NO WINDOW)	7 8-34130-5
170°C	4 5	100	LOOSE PIECE, BOX	7 8-34130-1
170°C	--	1000	LOOSE PIECE	8 34130-4
260°C	--	1000	LOOSE PIECE	3 34130-3
170°C	4 5	1000	LOOSE PIECE	7 34130

<b>AMP INCORPORATED CUSTOMER SERVICE SYSTEMS</b>		MAX RECOMMENDED OPERATING TEMPERATURE: SEE TABLE
FOR ADDITIONAL PRODUCT INFORMATION OR COPIES OF DRAWINGS AND TECHNICAL DOCUMENTS	PRODUCT INFORMATION CENTER 1-800-522-6752	VOLTAGE RATING: N/A
FOR APPLICATION TOOLING INFORMATION	TOOLING ASSISTANCE CENTER 1-800-722-1111	CIRCULAR MIL AREA: 0.26-1.65mm² [509-3,260] SOLID OR STRANDED
FOR ORDER ENTRY	1-800-526-5142	THIS DRAWING IS A CONTROLLED DOCUMENT FOR AMP INCORPORATED. IT IS SUBJECT TO CHANGE AND THE CONTROLLING ENGINEERING ORGANIZATION SHOULD BE CONTACTED FOR THE LATEST REVISION.

THIS DRAWING IS A CONTROLLED DOCUMENT.		DWN TA BRINKMAN 4-14-93	<b>TE</b> TE Connectivity	
DIMENSIONS: mm [INCHES]		CHK DA PATTERSON 4-14-93		
TOLERANCES UNLESS OTHERWISE SPECIFIED:		APVD J MECKLEY 4-14-93	NAME SPLICE, PARALLEL, SOLISTRAND	
0 PLC ± - 1 PLC ± - 2 PLC ± - 3 PLC ± - 4 PLC ± - ANGLES ± -		PRODUCT SPEC - APPLICATION SPEC -	SIZE A2	CAGE CODE 00779
MATERIAL 6	FINISH SEE TABLE	WEIGHT -	DRAWING NO C=34130	RESTRICTED TO -
CUSTOMER DRAWING			SCALE 10:1	SHEET 1 OF 1