



Chipsmall Limited consists of a professional team with an average of over 10 year of expertise in the distribution of electronic components. Based in Hongkong, we have already established firm and mutual-benefit business relationships with customers from,Europe,America and south Asia,supplying obsolete and hard-to-find components to meet their specific needs.

With the principle of “Quality Parts,Customers Priority,Honest Operation,and Considerate Service”,our business mainly focus on the distribution of electronic components. Line cards we deal with include Microchip,ALPS,ROHM,Xilinx,Pulse,ON,Everlight and Freescale. Main products comprise IC,Modules,Potentiometer,IC Socket,Relay,Connector.Our parts cover such applications as commercial,industrial, and automotives areas.

We are looking forward to setting up business relationship with you and hope to provide you with the best service and solution. Let us make a better world for our industry!



Contact us

Tel: +86-755-8981 8866 Fax: +86-755-8427 6832

Email & Skype: info@chipsmall.com Web: www.chipsmall.com

Address: A1208, Overseas Decoration Building, #122 Zhenhua RD., Futian, Shenzhen, China



4

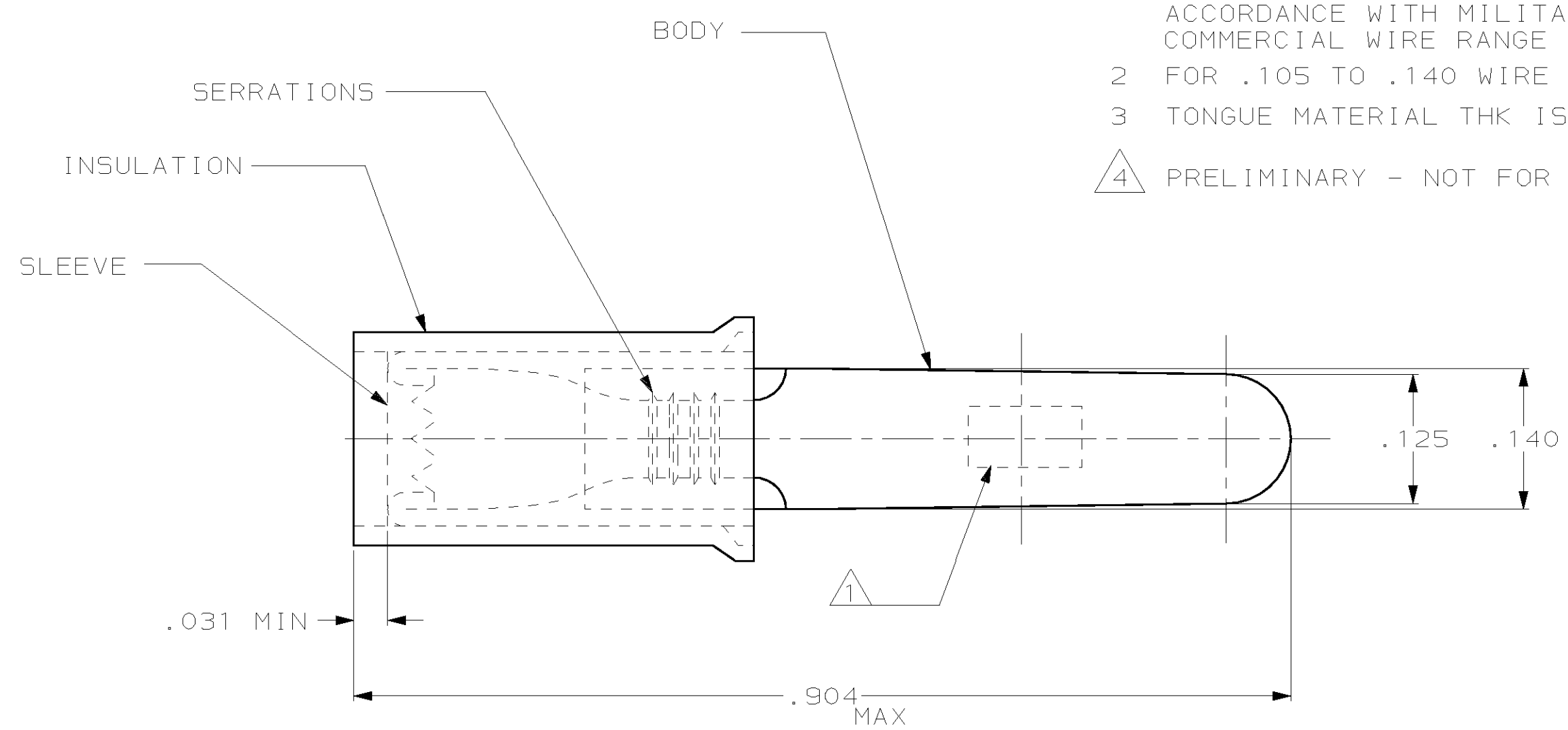
3

2

1

THIS DRAWING IS UNPUBLISHED. RELEASED FOR PUBLICATION ,19 .
 © COPYRIGHT 19 BY AMP INCORPORATED. ALL RIGHTS RESERVED.

LOC	DIST	REVISIONS					
		P	LTR	DESCRIPTION	DATE	DWN	APVD
G	14		J	REDRAWN PER 0G3A-0249-01	03APR01	JR	TM



- 1 STAMPED AMP 22-18*, APPROX AS SHOWN. 22-16 TERMINALS ARE STAMPED 22-18 IN ACCORDANCE WITH MILITARY SPEC MIL-T-7928 COMMERCIAL WIRE RANGE 22-16
- 2 FOR .105 TO .140 WIRE INSULATION DIA.
- 3 TONGUE MATERIAL THK IS .031±.002.
- 4 PRELIMINARY - NOT FOR PRODUCTION

100	LOOSE PIECE, BOX	8-34294-1	BODY: COPPER PER ASTM B152 TIN PLATE PER ASTM B545
5000	ON TAPE, REEL	2-34294-1	SLEEVE: COPPER PER ASTM B152 TIN PLATE PER ASTM B545
1000	LOOSE PIECE	34294	INSULATION: NYLON, COLOR - RED
QTY	PACKAGE TYPE	PART NO.	MATERIAL & FINISH
THIS DRAWING IS A CONTROLLED DOCUMENT.		DWN JR RUTH 03APR01	AMP AMP Incorporated Harrisburg, PA 17105-3608
		CHK MS FEHER 03APR01	
DIMENSIONS: INCHES		APVD T MICHIELUTTI 03APR01	NAME WIRE TERMINAL, PIDG, RECTANGULAR TAB, WIRE SIZE: 22-16
TOLERANCES UNLESS OTHERWISE SPECIFIED: 0 PLC ±- 1 PLC ±- 2 PLC ±- 3 PLC ±.008 4 PLC ±- ANGLES ±5°		PRODUCT SPEC -	SIZE A3
MATERIAL -		APPLICATION SPEC -	CAGE CODE 00779
		WEIGHT -	DRAWING NO C- 34294
CUSTOMER DRAWING			RESTRICTED TO -
			SCALE 8:1
			SHEET 1 OF 1
			REV J