



Chipsmall Limited consists of a professional team with an average of over 10 year of expertise in the distribution of electronic components. Based in Hongkong, we have already established firm and mutual-benefit business relationships with customers from,Europe,America and south Asia,supplying obsolete and hard-to-find components to meet their specific needs.

With the principle of “Quality Parts,Customers Priority,Honest Operation,and Considerate Service”,our business mainly focus on the distribution of electronic components. Line cards we deal with include Microchip,ALPS,ROHM,Xilinx,Pulse,ON,Everlight and Freescale. Main products comprise IC,Modules,Potentiometer,IC Socket,Relay,Connector.Our parts cover such applications as commercial,industrial, and automotives areas.

We are looking forward to setting up business relationship with you and hope to provide you with the best service and solution. Let us make a better world for our industry!



Contact us

Tel: +86-755-8981 8866 Fax: +86-755-8427 6832

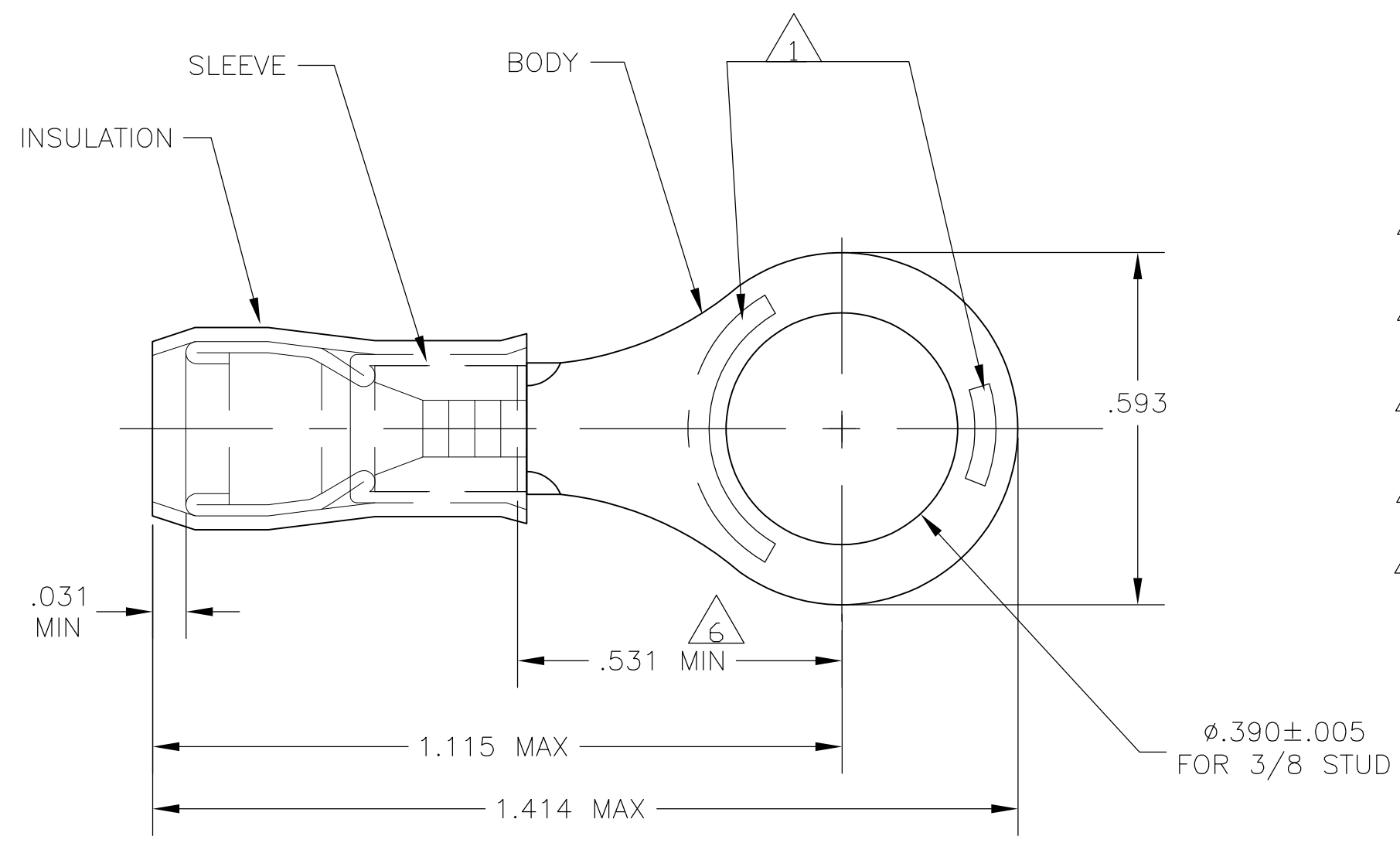
Email & Skype: info@chipsmall.com Web: www.chipsmall.com

Address: A1208, Overseas Decoration Building, #122 Zhenhua RD., Futian, Shenzhen, China



THIS DRAWING IS UNPUBLISHED. RELEASED FOR PUBLICATION
 © COPYRIGHT - By - ALL RIGHTS RESERVED.

| LOC | DIST | REVISIONS | | | | | |
|-----|------|-----------|-----|---------------------------|---------|-----|------|
| | | P | LTR | DESCRIPTION | DATE | DWN | APVD |
| G | 14 | | G4 | REVISED PER ECO-11-004917 | 11MAR11 | RK | HMR |



- 1 STAMP AMP 12-10* 6-9 APPROX AS SHOWN
- 2 WIRE INSULATION DIA: .150-.250
- 3 TONGUE MATERIAL THK: .039±.002
- 4 BODY & SLEEVE: TIN PLATE PER ASTM B545
- 5 BODY & SLEEVE- CU PER ASTM B152 INSULATION - NYLON, COLOR - YELLOW
- 6 APPLIES FROM EDGE OF METAL WIRE BARREL TO CENTER OF STUD HOLE.
- 7 SUPERSEDED BY 8-35112-1
- 8 MEETS MS25036-114, CLASS 1 & 2

| | | | |
|------|------------------|-----------|---|
| -5 | LOOSE PIECE, BOX | 7-35112-4 | 7 |
| -25 | LOOSE PIECE, BOX | 8-35112-4 | 7 |
| 100 | LOOSE PIECE, BOX | 8-35112-1 | |
| 1000 | TAPE & REEL | 2-35112-2 | |
| 500 | LOOSE PIECE | 35112 | 8 |
| QTY | PACKAGE TYPE | PART NO | |

| | | | | | | | | | | |
|--|--|---|--|--|---------------------------------|--|-------|--------|---------|----------------------------------|
| AMP INCORPORATED CUSTOMER SERVICE SYSTEMS | | MAX RECOMMENDED OPERATING TEMPERATURE: 105°C MAX | THIS DRAWING IS A CONTROLLED DOCUMENT. | | DWN JR RUTH 22MAR07 | TE Connectivity NAME TERMINAL, RING TONGUE, P.I.D.G. WIRE SIZE: 12-10 AWG | | | | |
| FOR ADDITIONAL PRODUCT INFORMATION OR COPIES OF DRAWINGS AND TECHNICAL DOCUMENTS | PRODUCT INFORMATION CENTER 1-800-522-6752 | VOLTAGE RATING: 300 VOLT MAX | DIMENSIONS: INCHES | TOLERANCES UNLESS OTHERWISE SPECIFIED: | CHK T MICHIELUTTI 22MAR07 | | | | | APVD T MICHIELUTTI 22MAR07 |
| FOR APPLICATION TOOLING INFORMATION | TOOLING ASSISTANCE CENTER 1-800-722-1111 | CIRCULAR MIL AREA: 2.62-6.64mm ² [5,180-13,100] STRANDED OR SOLID | | 0 PLC ± - 1 PLC ± - 2 PLC ± - 3 PLC ± .008 4 PLC ± - ANGLES ± - | FINISH | PRODUCT SPEC | — | — | — | — |
| FOR ORDER ENTRY | 1-800-526-5142 | THIS DRAWING IS A CONTROLLED DOCUMENT FOR AMP INCORPORATED. IT IS SUBJECT TO CHANGE AND THE CONTROLLING ENGINEERING ORGANIZATION SHOULD BE CONTACTED FOR THE LATEST REVISION. | MATERIAL | | | APPLICATION SPEC | — | — | — | — |
| | | | CUSTOMER DRAWING | | WEIGHT | — | A3 | 00779 | C-35112 | — |
| | | | | | SCALE | 4:1 | SHEET | 1 OF 1 | REV | G4 |