



Chipsmall Limited consists of a professional team with an average of over 10 year of expertise in the distribution of electronic components. Based in Hongkong, we have already established firm and mutual-benefit business relationships with customers from,Europe,America and south Asia,supplying obsolete and hard-to-find components to meet their specific needs.

With the principle of “Quality Parts,Customers Priority,Honest Operation,and Considerate Service”,our business mainly focus on the distribution of electronic components. Line cards we deal with include Microchip,ALPS,ROHM,Xilinx,Pulse,ON,Everlight and Freescale. Main products comprise IC,Modules,Potentiometer,IC Socket,Relay,Connector.Our parts cover such applications as commercial,industrial, and automotives areas.

We are looking forward to setting up business relationship with you and hope to provide you with the best service and solution. Let us make a better world for our industry!



Contact us

Tel: +86-755-8981 8866 Fax: +86-755-8427 6832

Email & Skype: info@chipsmall.com Web: www.chipsmall.com

Address: A1208, Overseas Decoration Building, #122 Zhenhua RD., Futian, Shenzhen, China



THIS DRAWING IS UNPUBLISHED. RELEASED FOR PUBLICATION
 © COPYRIGHT - By - ALL RIGHTS RESERVED.

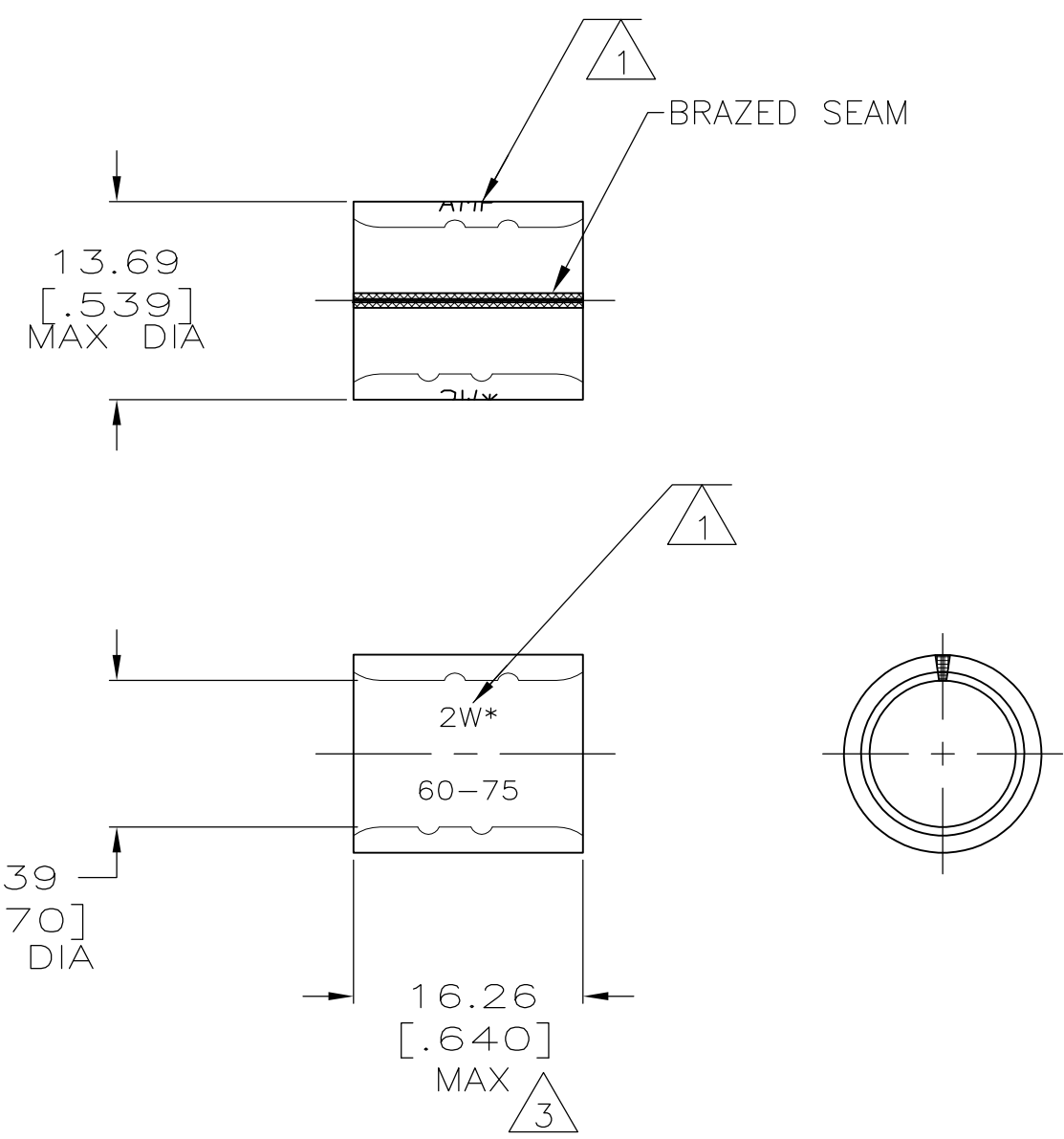
LOC	DIST	REVISIONS					
		P	LTR	DESCRIPTION	DATE	DWN	APVD
G	14		F4	REVISED PER ECO-12-006195	30MAR12	KH	DR

PART NUMBER	PACKAGE TYPE	QTY
8-35187-3	LOOSE PIECE, BOX	25
8-35187-5	LOOSE PIECE, BOX	500

AMP
WIRE RANGE

2 AWG
SOLID OR STRANDED

- 1 STAMP AMP 2W* 60-75 APPROX AS SHOWN
- 2 MATERIAL THK: 1.78^{±0.08} [.070^{±.003}]
- 3 MAX LENGTH DOES NOT INCLUDE MANUFACTURING TABS.
- 4 TIN PLATE 0.00254 [.000100] MIN THK PER ASTM B545
- 5 TIN/LEAD (60/40) PLATE, 0.00254 [.000100] MIN THK PER SAE-AMS-P-81728
- 6 UL LISTED E13288, 2 AWG STRANDED
- 7 NOTE DELETED.
- 8 CSA CERTIFIED LR7189, 2 AWG SOLID OR STRANDED



6 8	4	8-35187-3
---	5	35187-1
6 8	4	35187
APPROVALS	FINISH	PART NO

AMP INCORPORATED CUSTOMER SERVICE SYSTEMS		MAX RECOMMENDED OPERATING TEMPERATURE: 170° C	THIS DRAWING IS A CONTROLLED DOCUMENT.		DWN DK SCHRUM 8/28/92	STE TE Connectivity				
FOR ADDITIONAL PRODUCT INFORMATION OR COPIES OF DRAWINGS AND TECHNICAL DOCUMENTS	PRODUCT INFORMATION CENTER 1-800-522-6752	VOLTAGE RATING: N/A	DIMENSIONS: INCHES	TOLERANCES UNLESS OTHERWISE SPECIFIED:	CHK DA PATTERSON 9/8/92				NAME SPLICE, PARALLEL, SOLISTRAND	
FOR APPLICATION TOOLING INFORMATION	TOOLING ASSISTANCE CENTER 1-800-722-1111	CIRCULAR MIL AREA: 26.7-42.4mm ² [52,600-83,700] SOLID OR STRANDED		0 PLC ± - 1 PLC ± - 2 PLC ± 0.20[.008] 3 PLC ± - 4 PLC ± - ANGLES ± -	APVD DA PATTERSON 9/8/92	PRODUCT SPEC	SIZE	CAGE CODE	DRAWING NO	RESTRICTED TO
FOR ORDER ENTRY	1-800-526-5142	THIS DRAWING IS A CONTROLLED DOCUMENT FOR AMP INCORPORATED. IT IS SUBJECT TO CHANGE AND THE CONTROLLING ENGINEERING ORGANIZATION SHOULD BE CONTACTED FOR THE LATEST REVISION.	MATERIAL COPPER ASTM B-152	FINISH SEE TABLE	---	APPLICATION SPEC	A3	00779	C-35187	---
					CUSTOMER DRAWING	SCALE	2:1	SHEET	1 OF 1	REV F4