



Chipsmall Limited consists of a professional team with an average of over 10 year of expertise in the distribution of electronic components. Based in Hongkong, we have already established firm and mutual-benefit business relationships with customers from,Europe,America and south Asia,supplying obsolete and hard-to-find components to meet their specific needs.

With the principle of “Quality Parts,Customers Priority,Honest Operation,and Considerate Service”,our business mainly focus on the distribution of electronic components. Line cards we deal with include Microchip,ALPS,ROHM,Xilinx,Pulse,ON,Everlight and Freescale. Main products comprise IC,Modules,Potentiometer,IC Socket,Relay,Connector.Our parts cover such applications as commercial,industrial, and automotives areas.

We are looking forward to setting up business relationship with you and hope to provide you with the best service and solution. Let us make a better world for our industry!



## Contact us

Tel: +86-755-8981 8866 Fax: +86-755-8427 6832

Email & Skype: info@chipsmall.com Web: www.chipsmall.com

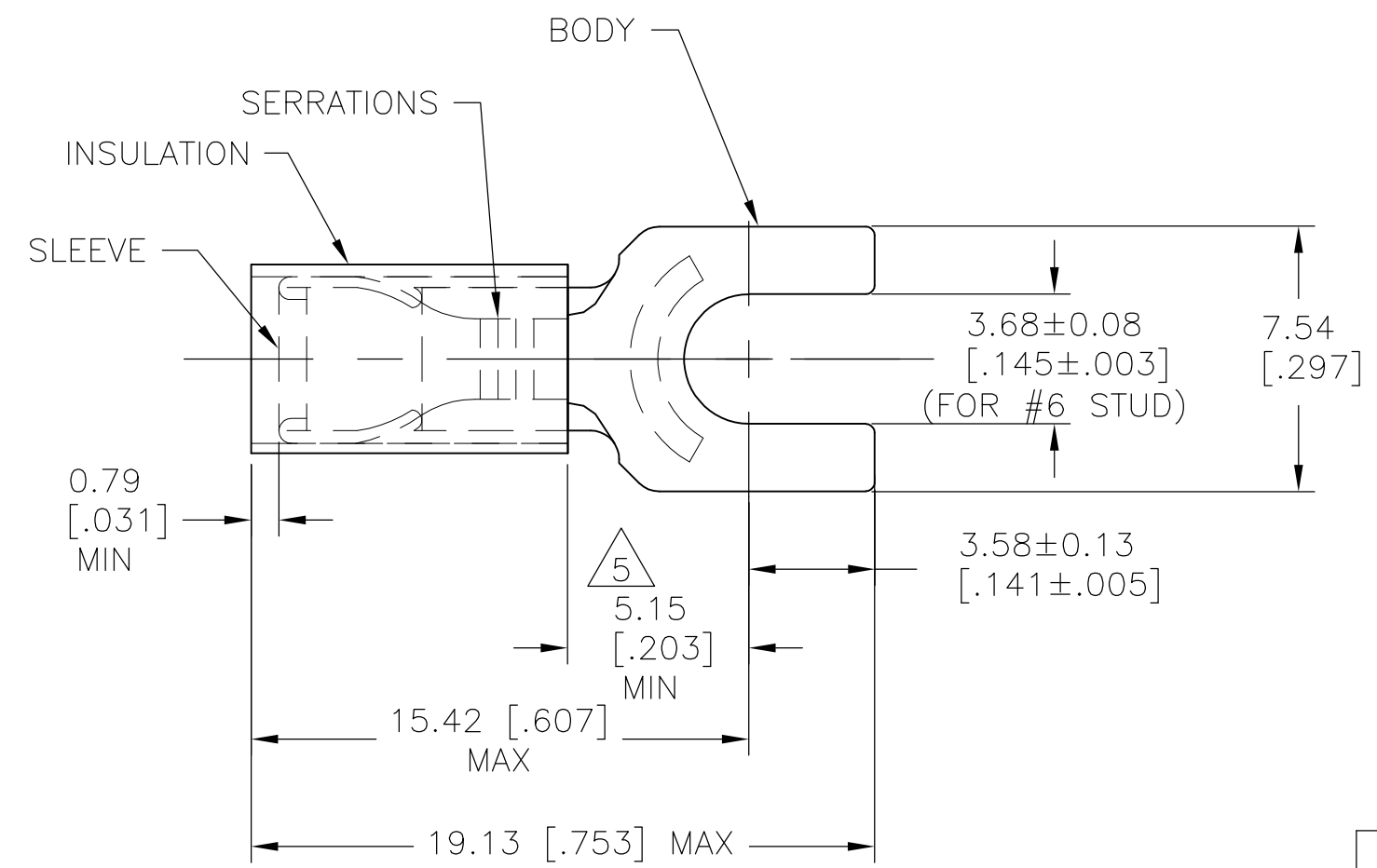
Address: A1208, Overseas Decoration Building, #122 Zhenhua RD., Futian, Shenzhen, China



THIS DRAWING IS UNPUBLISHED. RELEASED FOR PUBLICATION  
 © COPYRIGHT - By - ALL RIGHTS RESERVED.

LOC	DIST	REVISIONS					
		P	LTR	DESCRIPTION	DATE	DWN	APVD
G	14		J2	REVISED PER ECO-11-004917	11MAR11	RK	HMR

- 1 WIRE INSULATION DIA = 2.92 [.115] - 4.32 [.170]
- 2 TONGUE MATERIAL THK = 0.79±0.05 [.031±.002]
- 3 0.00254 [.000100] MIN THK. TIN PLATE (ASTM-B545)
- 4 MATERIAL:  
INSULATION: NYLON - BLUE  
BODY & SLEEVE: COPPER (ASTM-B152)
- 5 APPLIES FROM THE METAL EDGE OF BARREL TO THE CENTERLINE OF STUD



OBSOLETE	QTY	DESCRIPTION	PART NO
	50	LOOSE PC, BAG	8-35559-5
	100	LOOSE PC, BOX	8-35559-1
OBSOLETE	100	ON TAPE, SMALL BOX	2-35559-3
OBSOLETE	1000	ON TAPE, LARGE BOX	2-35559-2
	5000	ON TAPE, REEL	2-35559-1
	-	LOOSE PIECE	35559

CUSTOMER SERVICE SYSTEMS		MAX RECOMMENDED OPERATING TEMPERATURE: 105°C [221° F]	THIS DRAWING IS A CONTROLLED DOCUMENT.		DWN RAGHAVENDRA 03JUN09	TE Connectivity		
FOR ADDITIONAL PRODUCT INFORMATION OR COPIES OF DRAWINGS AND TECHNICAL DOCUMENTS	PRODUCT INFORMATION CENTER 1-800-522-6752	VOLTAGE RATING: 300V MAX	DIMENSIONS: mm [INCHES]	TOLERANCES UNLESS OTHERWISE SPECIFIED:	CHK JEFF RUTH 03JUN09			
FOR APPLICATION TOOLING INFORMATION	TOOLING ASSISTANCE CENTER 1-800-722-1111	CIRCULAR MIL AREA: 1.04-2.62mm² [2,050-5,180] SOLID OR STRANDED		0 PLC ± - 1 PLC ± - 2 PLC ± - 3 PLC ± 0.20 [.008] 4 PLC ± - ANGLES ± 0° 30'	APVD TOM MICHIELUTTI 03JUN09	PRODUCT SPEC		
FOR ORDER ENTRY	1-800-526-5142	THIS DRAWING IS A CONTROLLED DOCUMENT FOR AMP INCORPORATED. IT IS SUBJECT TO CHANGE AND THE CONTROLLING ENGINEERING ORGANIZATION SHOULD BE CONTACTED FOR THE LATEST REVISION.	MATERIAL	FINISH	APPLICATION SPEC			RESTRICTED TO
			4	BODY 3	SIZE A3	CAGE CODE 00779	DRAWING NO C-35559	
CUSTOMER DRAWING					SCALE 5:1	SHEET 1 OF 1	REV J2	