



Chipsmall Limited consists of a professional team with an average of over 10 year of expertise in the distribution of electronic components. Based in Hongkong, we have already established firm and mutual-benefit business relationships with customers from,Europe,America and south Asia,supplying obsolete and hard-to-find components to meet their specific needs.

With the principle of “Quality Parts,Customers Priority,Honest Operation,and Considerate Service”,our business mainly focus on the distribution of electronic components. Line cards we deal with include Microchip,ALPS,ROHM,Xilinx,Pulse,ON,Everlight and Freescale. Main products comprise IC,Modules,Potentiometer,IC Socket,Relay,Connector.Our parts cover such applications as commercial,industrial, and automotives areas.

We are looking forward to setting up business relationship with you and hope to provide you with the best service and solution. Let us make a better world for our industry!



Contact us

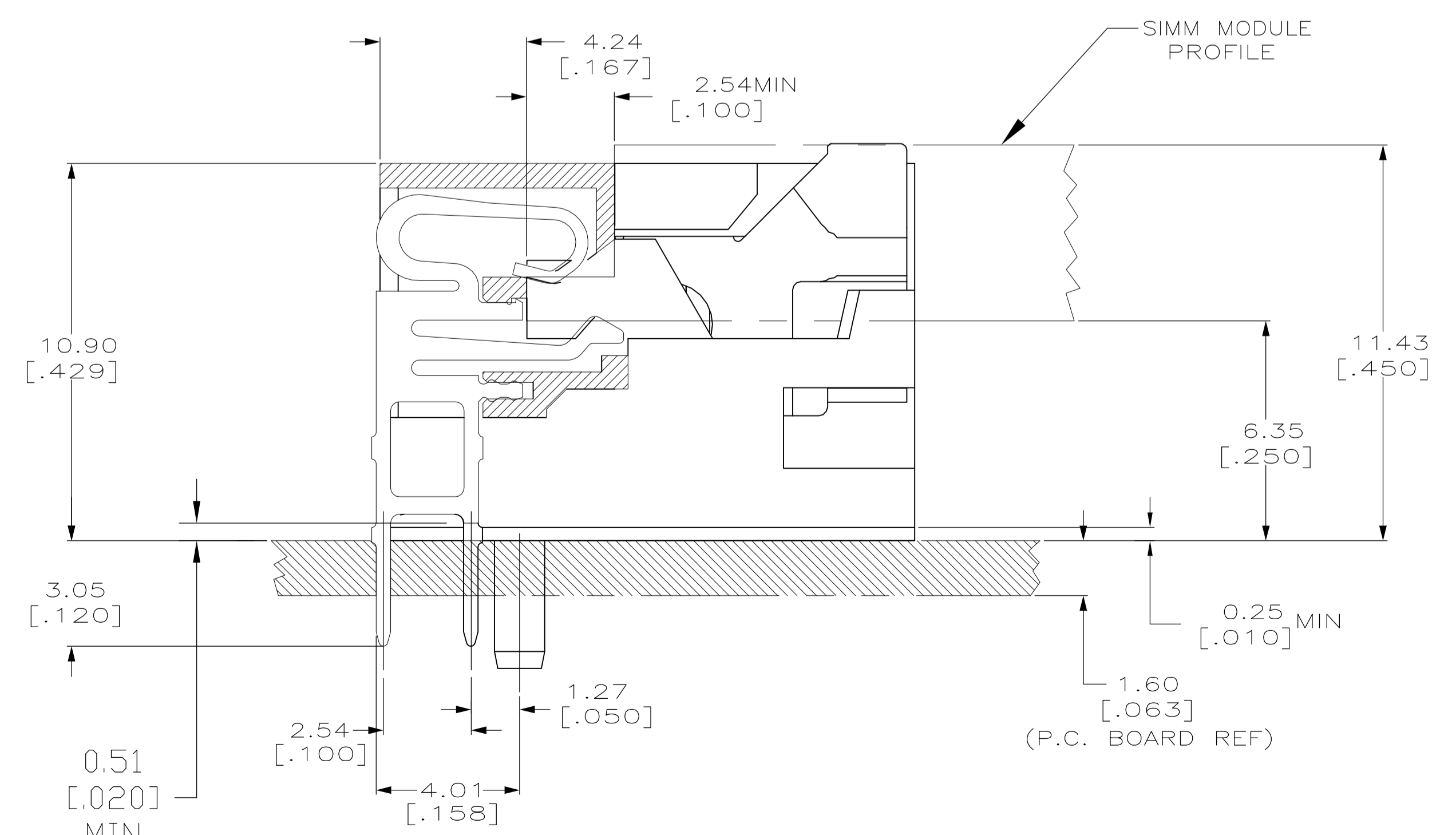
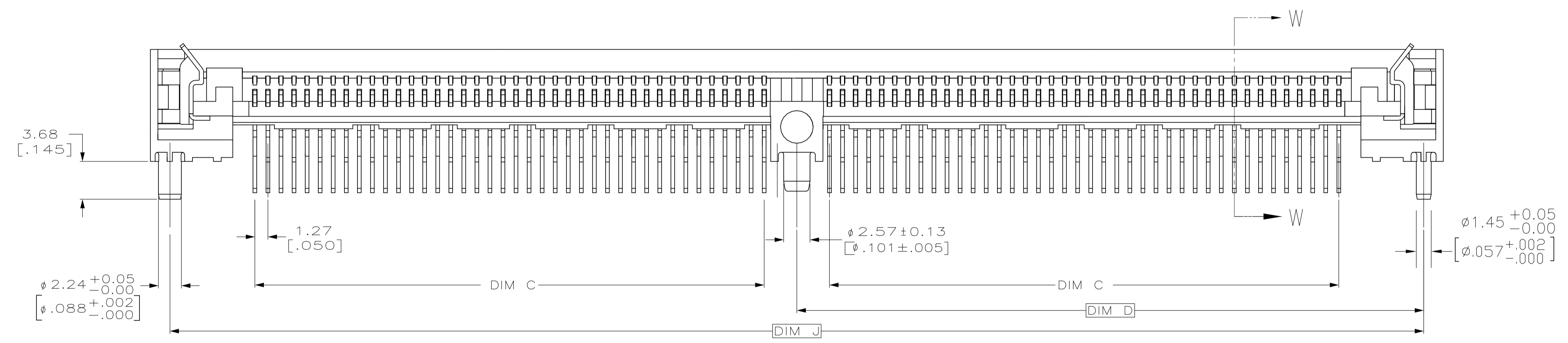
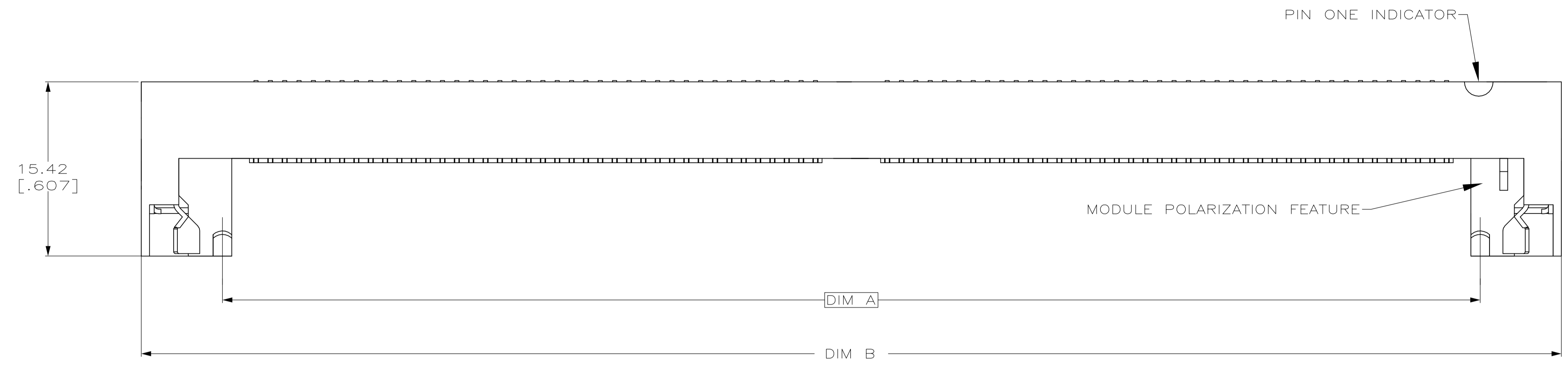
Tel: +86-755-8981 8866 Fax: +86-755-8427 6832

Email & Skype: info@chipsmall.com Web: www.chipsmall.com

Address: A1208, Overseas Decoration Building, #122 Zhenhua RD., Futian, Shenzhen, China

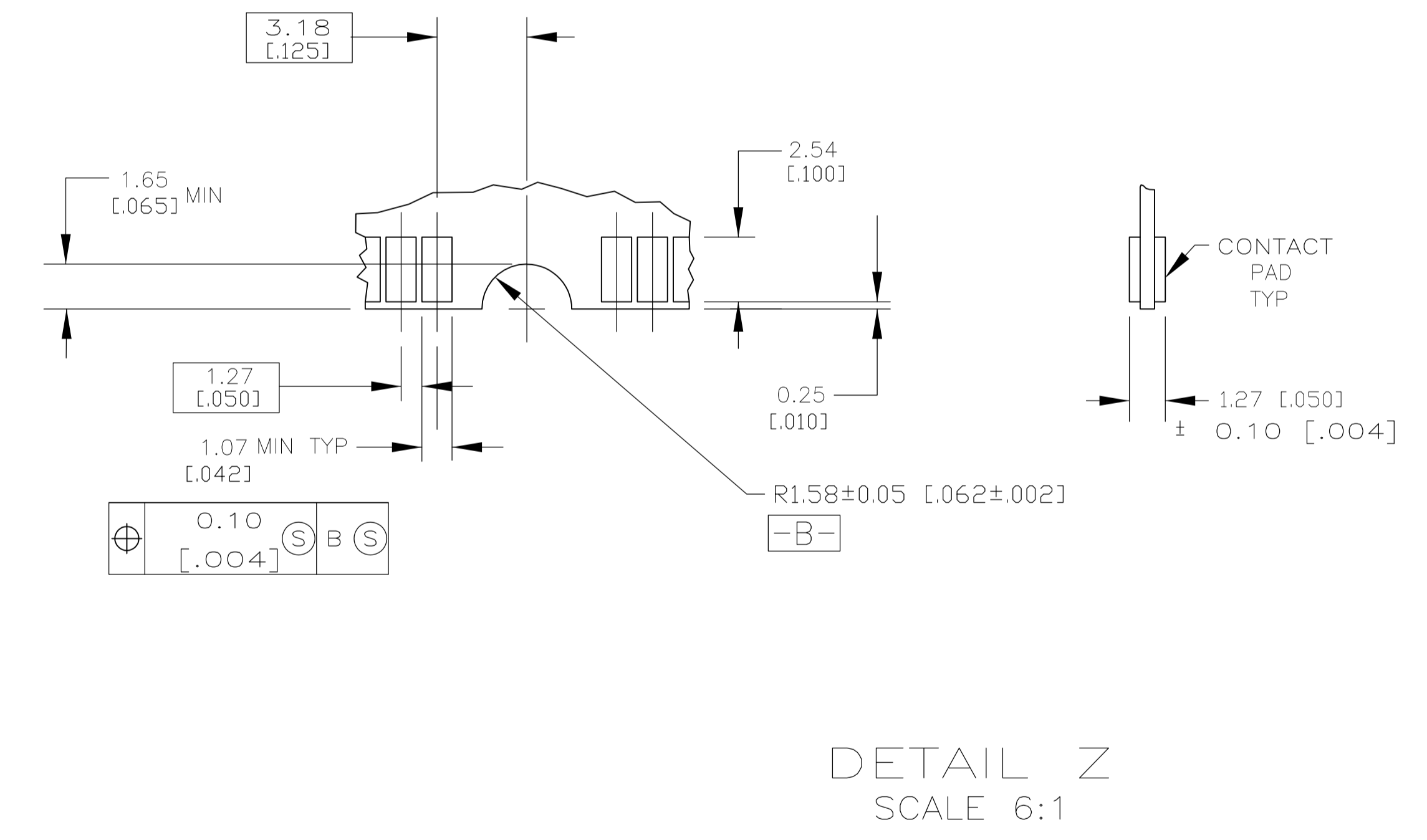
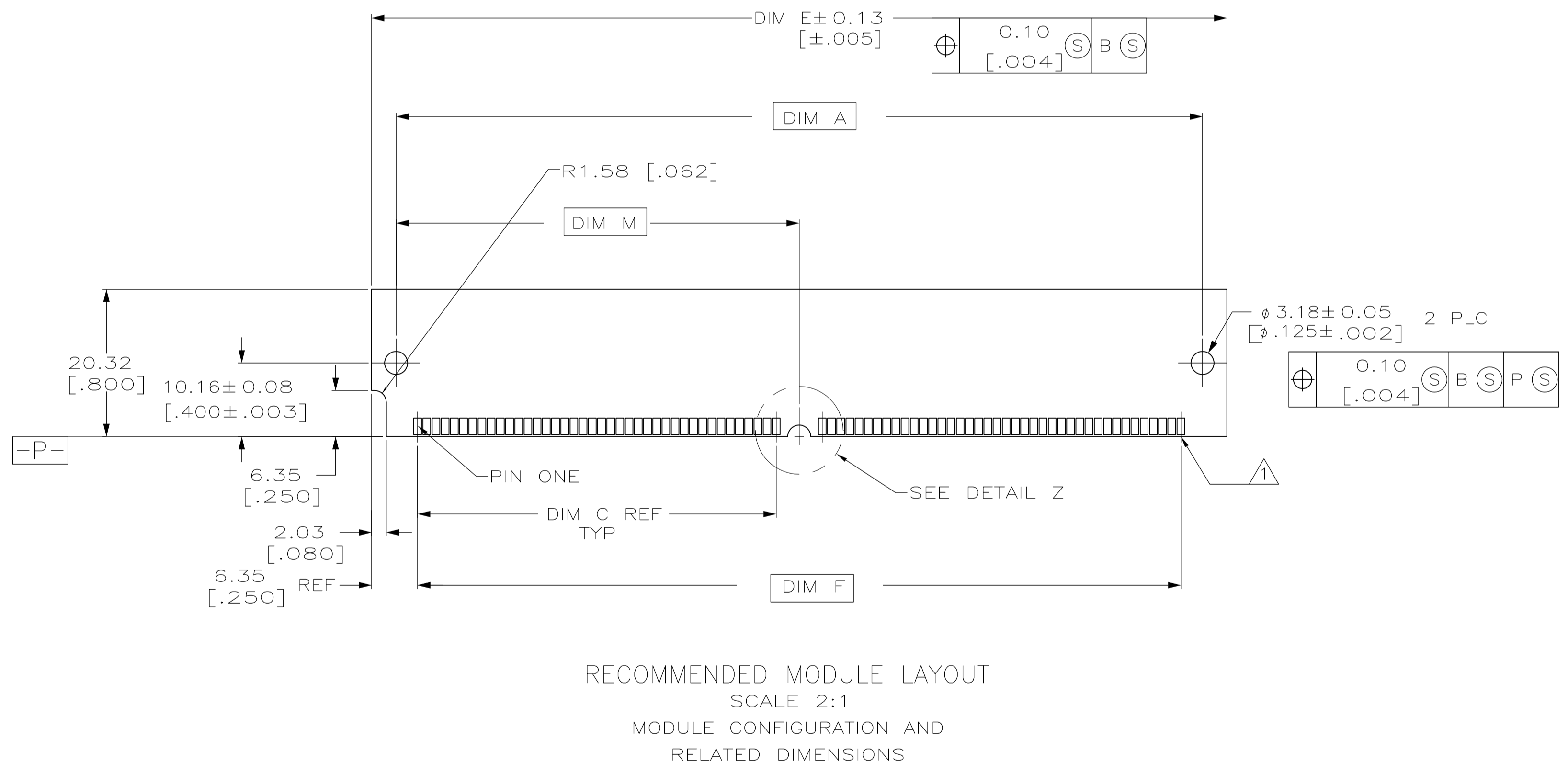
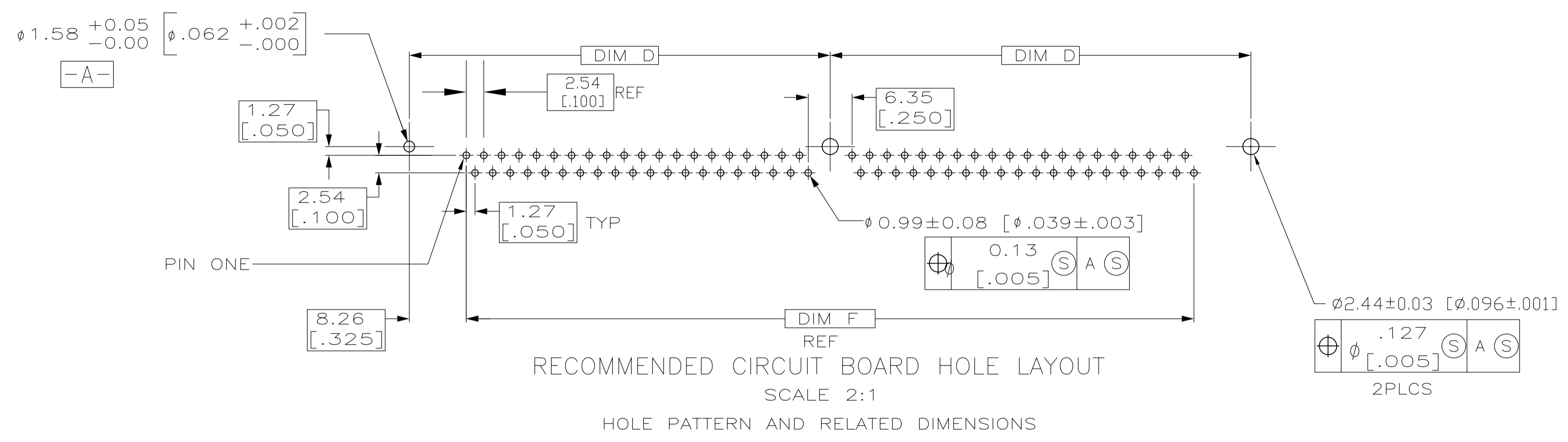


LOC		DIST		REVISIONS			
P	LTR	DESCRIPTION	DATE	DN	APVD		
J1		REVISED PER ECO-11-004835	11MAR11	RK	HMR		



SECTION W-W
SCALE 8:1

THIS DRAWING IS A CONTROLLED DOCUMENT.		DIN T. BILLMAN 4-9-90	 TE Connectivity
DIMENSIONS: INCHES		CHK R. MILLER 4-9-90	
TOLERANCES UNLESS OTHERWISE SPECIFIED:		APVD R. SMITH 4-9-90	NAME
0. PLC	± -		SIMM II RTANG 1.27[.050]
1. PLC	± -		1.27 [.500] CL ASSY.,
2. PLC	± -		6.350 [.250] HEIGHT
3. PLC	± .127(.005)		APPLICATION SPEC
4. PLC	± -		SIZE
ANGLES	± -		CAGE CODE
MATERIAL HSG:GLASS REINF	FINISH	WEIGHT	DRAWING NO
			A1 00779
			RESTRICTED TO
			382486
CUSTOMER DRAWING		SCALE	SHEET
		4:1	1 OF 2
			REV J1



OBSOLETE	58.22 [2.292]	127.00 [5.000]	110.49 [4.350]	123.19 [4.850]	63.50 [2.500]	52.07 [2.050]	130.81 [5.150]	116.43 [4.584]	84	8-382486-4
	55.68 [2.192]	121.92 [4.800]	105.41 [4.150]	118.11 [4.650]	60.96 [2.400]	49.53 [1.950]	125.73 [4.950]	111.35 [4.384]	80	8-382486-0
	50.60 [1.992]	111.76 [4.400]	95.25 [3.750]	107.95 [4.250]	55.88 [2.200]	44.45 [1.750]	115.57 [4.550]	101.19 [3.984]	72	7-382486-2
OBSOLETE	48.06 [1.892]	106.68 [4.200]	90.17 [3.550]	102.87 [4.050]	53.34 [2.100]	41.91 [1.650]	110.49 [4.350]	96.11 [3.784]	68	6-382486-8
OBSOLETE	45.52 [1.792]	101.60 [4.000]	85.09 [3.350]	97.79 [3.850]	50.80 [2.000]	39.37 [1.550]	105.41 [4.150]	91.03 [3.584]	64	6-382486-4
OBSOLETE	30.28 [1.192]	71.12 [2.800]	54.61 [2.150]	67.31 [2.650]	35.56 [1.400]	24.13 [0.950]	74.93 [2.950]	60.55 [2.384]	40	4-382486-0
	DIM M	DIM J	DIM F	DIM E	DIM D	DIM C	DIM B	DIM A	POSN	

THIS DRAWING IS A CONTROLLED DOCUMENT.

DIMENSIONS:	TOLERANCES UNLESS OTHERWISE SPECIFIED:	DATE	05JAN01
INCHES		CHK	T. BILLMAN
		APP'D	R. MILLER
		DATE	4-9-90
		NAME	R. SMITH
		PRODUCT SPEC	
		APPLICATION SPEC	
		SIZE	A1
		CAGE CODE	00779
		DRAWING NO	382486
		RESTRICTED TO	
		CUSTOMER DRAWING	
		SCALE	4:1
		SHEET	2 OF 2
		REV	J1

STE TE Connectivity

SIMM II, RTANG,
1.27 [.050] CL ASSY.,
6.35 [.250] HGT