



Chipsmall Limited consists of a professional team with an average of over 10 year of expertise in the distribution of electronic components. Based in Hongkong, we have already established firm and mutual-benefit business relationships with customers from,Europe,America and south Asia,supplying obsolete and hard-to-find components to meet their specific needs.

With the principle of “Quality Parts,Customers Priority,Honest Operation,and Considerate Service”,our business mainly focus on the distribution of electronic components. Line cards we deal with include Microchip,ALPS,ROHM,Xilinx,Pulse,ON,Everlight and Freescale. Main products comprise IC,Modules,Potentiometer,IC Socket,Relay,Connector.Our parts cover such applications as commercial,industrial, and automotives areas.

We are looking forward to setting up business relationship with you and hope to provide you with the best service and solution. Let us make a better world for our industry!



Contact us

Tel: +86-755-8981 8866 Fax: +86-755-8427 6832

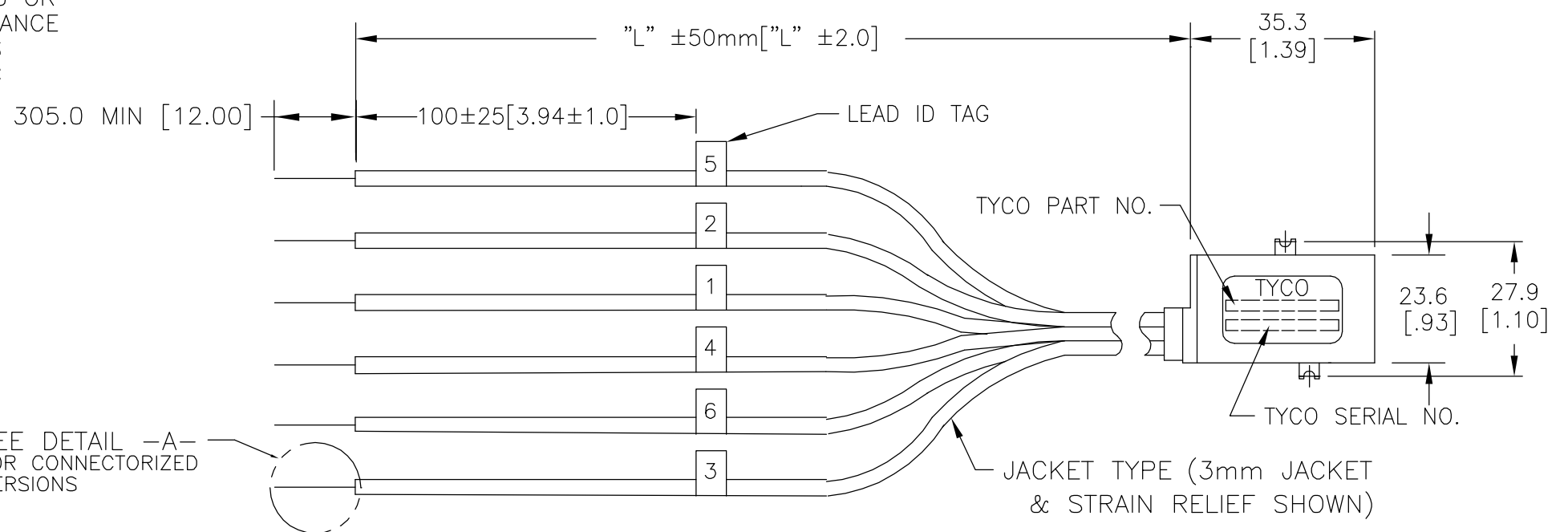
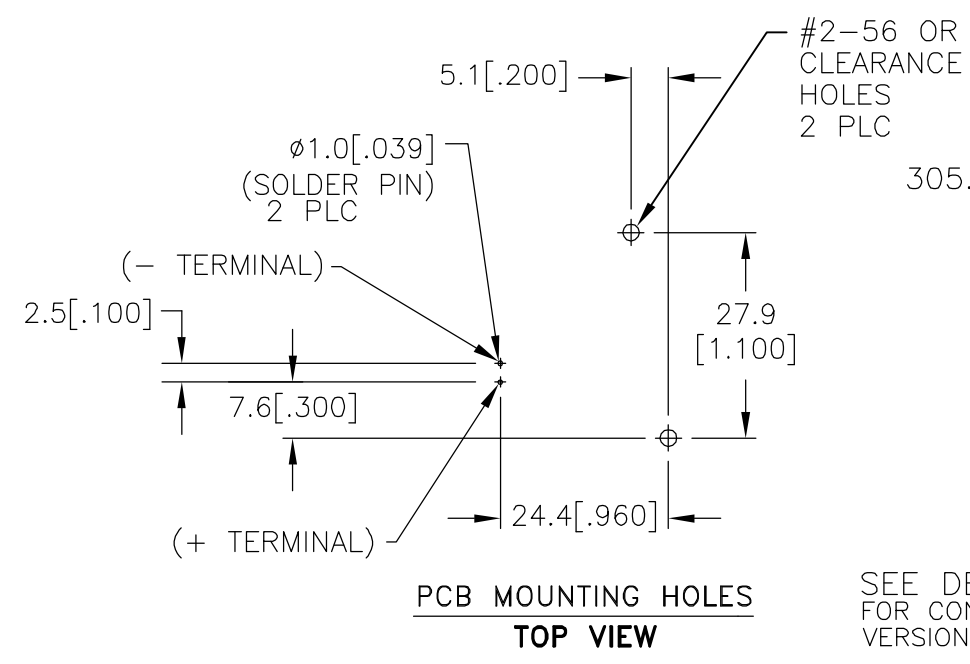
Email & Skype: info@chipsmall.com Web: www.chipsmall.com

Address: A1208, Overseas Decoration Building, #122 Zhenhua RD., Futian, Shenzhen, China

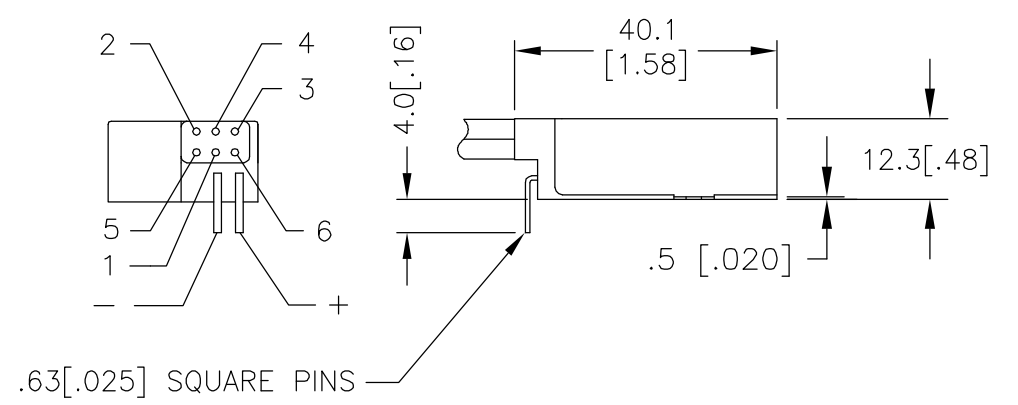
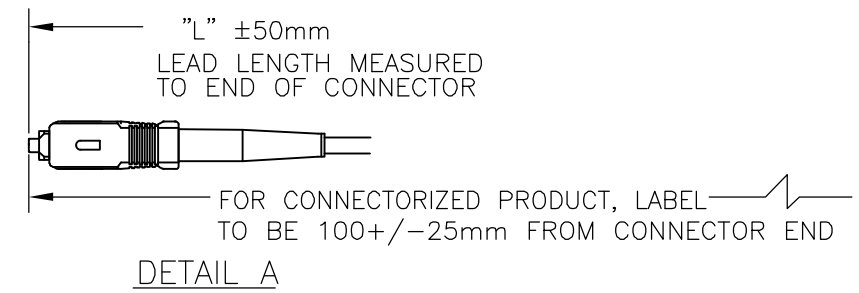


THIS DRAWING IS UNPUBLISHED. RELEASED FOR PUBLICATION
 © COPYRIGHT BY TYCO ELECTRONICS CORPORATION. ALL RIGHTS RESERVED.

LOC	DIST	REVISIONS					
EA	51	P	LTR	DESCRIPTION	DATE	DWN	APVD
		2		UPDATE	04OCT06	SM	RP



SEE DETAIL -A- FOR CONNECTORIZED VERSIONS



PART NO.	FIBER TYPE	CONNECTOR TYPE
5099974-1	50/125/250	NONE
5099974-2	62.5/125/250	NONE
1-5099974-2	62.5/125/250	SC STYLE
8-5099974-1	50/125/250	SC STYLE
8-5099974-2	62.5/125/250	SC STYLE

NOTES:

1. DIMENSIONS IN [] ARE IN INCHES.
2. PERFORMANCE SPECIFICATIONS

TESTED PER FOTP-34 METHOD A2
 INSERTION LOSS DATA INCLUDES TWO CONNECTED PAIRS

	UNCONNECTORIZED	CONNECTORIZED
INSERTION LOSS POWER OFF, 1 TO 2 & 4 TO 5	0.8dB MAX	1.8dB MAX
INSERTION LOSS POWER ON, 1 TO 3 & 4 TO 6	0.8dB MAX	1.8dB MAX
OPTICAL CROSSTALK	</=-45dB MAX	
SWITCHING SPEED	10 MILLISECONDS MAX	
POWER REQUIREMENTS	4.0 TO 5.5 VOLTS, 80 ma MAX AT 5.0 VOLTS	
OPERATING WAVELENGTH	750nm TO 1450nm	
TESTED WAVELENGTH	1300nm	

3. THIS PRODUCT HAS NOT COMPLETED VALIDATION TESTING.

1000 mm (39.5)	8-5099974-2
1000 mm (39.5)	8-5099974-1
400 mm (15.7)	1-5099974-2
1000 mm (39.5)	5099974-2
1000 mm (39.5)	5099974-1
"L" LENGTH	PART NUMBER

PRELIMINARY

THIS DRAWING IS A CONTROLLED DOCUMENT.		DWN S. MONGOLD 17JAN06	Tyco Electronics Corporation	
DIMENSIONS: mm [INCHES]		CHK R. PAUL 17JAN06	Harrisburg, PA 17105-3608	
TOLERANCES UNLESS OTHERWISE SPECIFIED:		APVD F. ABENDSCHEIN 17JAN06	NAME	
0 PLC ± -		PRODUCT SPEC		
1 PLC ± 0.5		APPLICATION SPEC		
2 PLC ± -		SIZE		
3 PLC ± -		CAGE CODE		
4 PLC ± -		DRAWING NO		
ANGLES ± 2'		RESTRICTED TO		
MATERIAL		WEIGHT		
FINISH		A3 00779 C-5099974		
		CUSTOMER DRAWING		
		SCALE 1:1 SHEET 1 OF 1 REV 2		