



Chipsmall Limited consists of a professional team with an average of over 10 year of expertise in the distribution of electronic components. Based in Hongkong, we have already established firm and mutual-benefit business relationships with customers from,Europe,America and south Asia,supplying obsolete and hard-to-find components to meet their specific needs.

With the principle of "Quality Parts,Customers Priority,Honest Operation,and Considerate Service",our business mainly focus on the distribution of electronic components. Line cards we deal with include Microchip,ALPS,ROHM,Xilinx,Pulse,ON,Everlight and Freescale. Main products comprise IC,Modules,Potentiometer,IC Socket,Relay,Connector.Our parts cover such applications as commercial,industrial, and automotives areas.

We are looking forward to setting up business relationship with you and hope to provide you with the best service and solution. Let us make a better world for our industry!



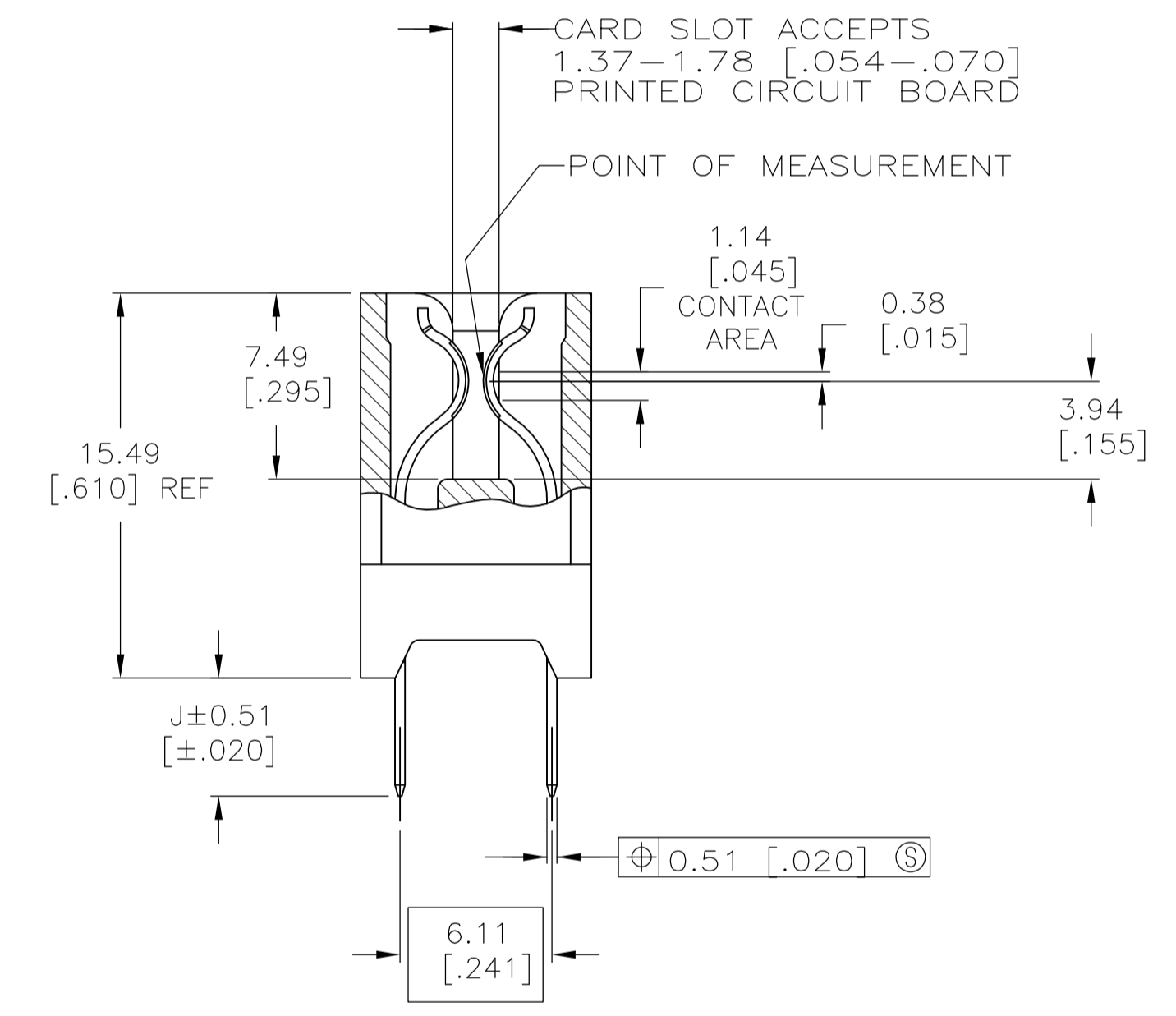
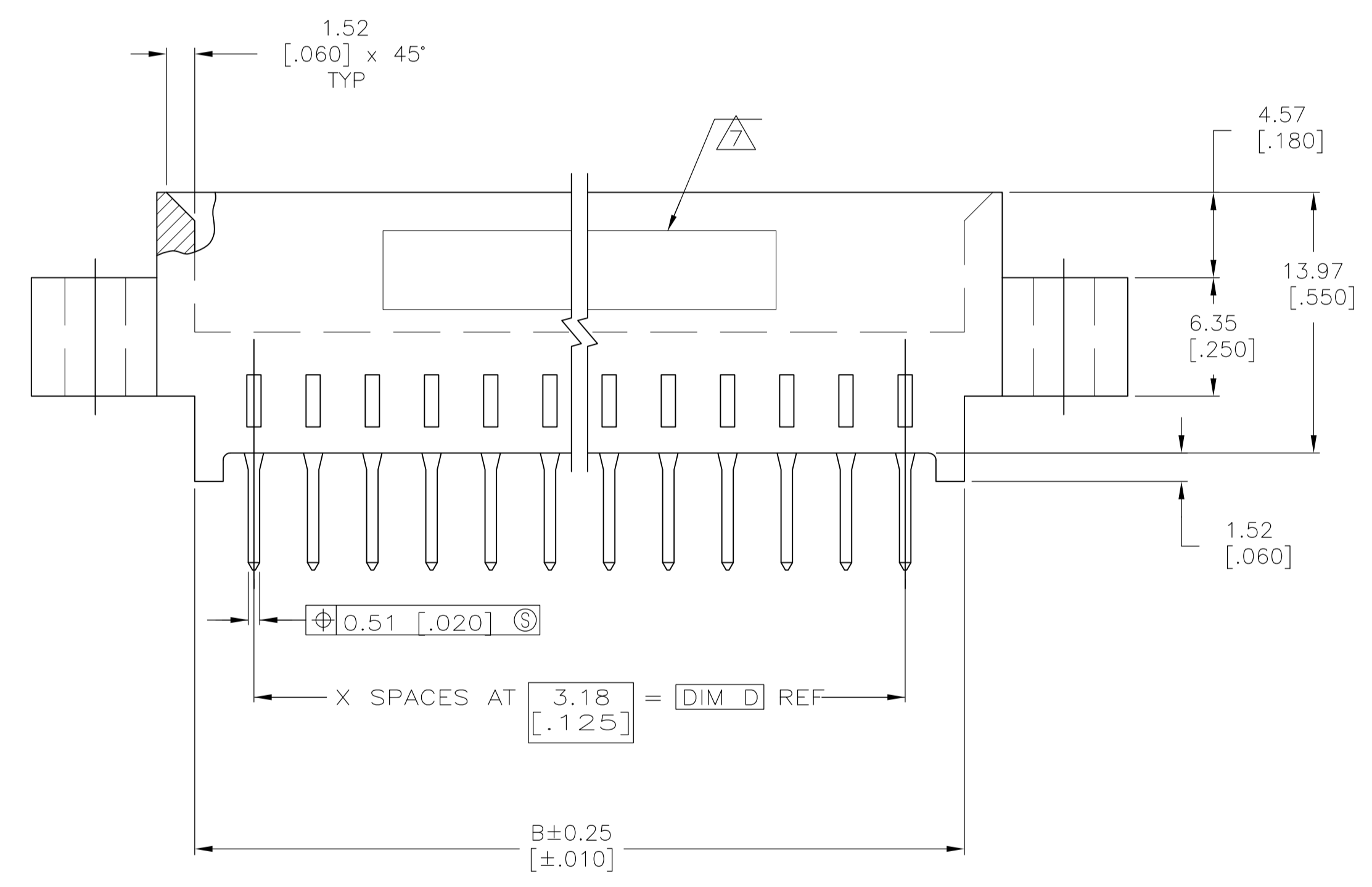
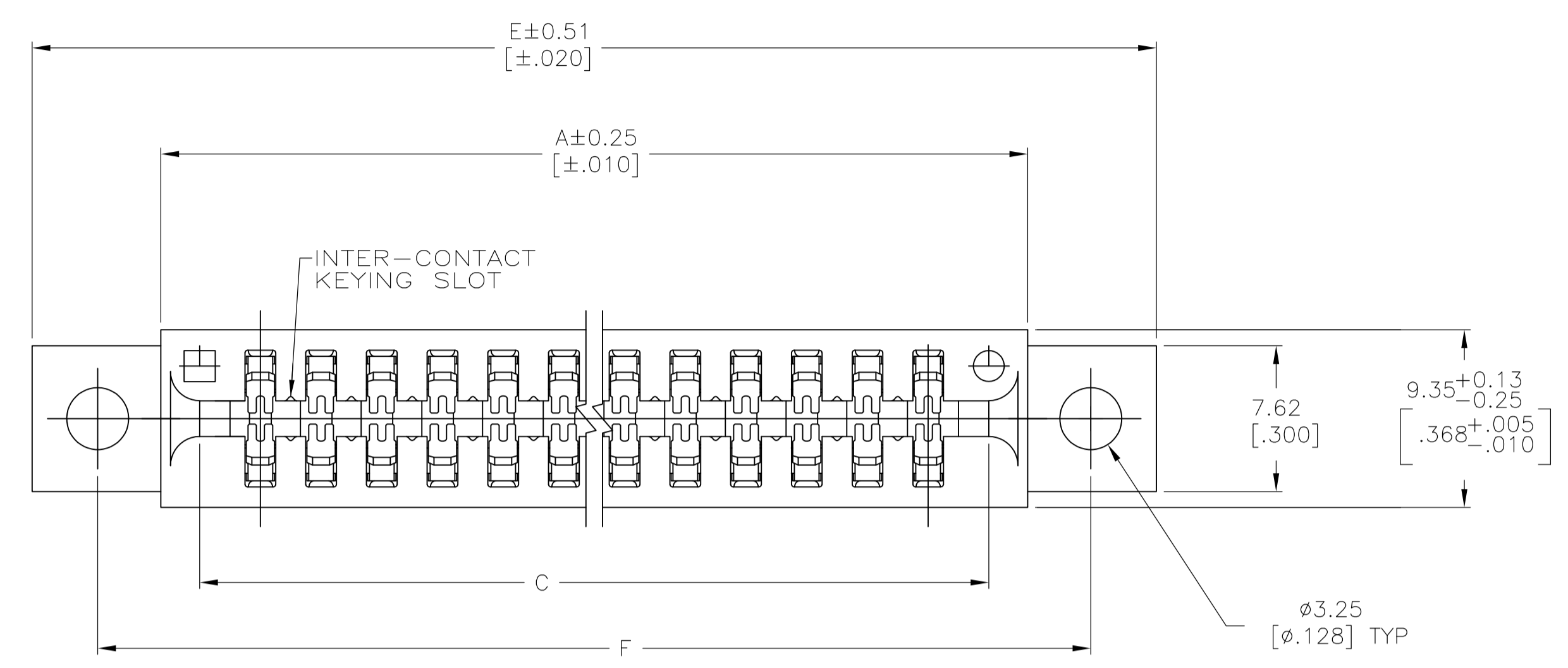
Contact us

Tel: +86-755-8981 8866 Fax: +86-755-8427 6832

Email & Skype: info@chipsmall.com Web: www.chipsmall.com

Address: A1208, Overseas Decoration Building, #122 Zhenhua RD., Futian, Shenzhen, China





- ① HOUSING: GLASS FILLED POLYESTER; COLOR: BLACK.
- ② CONTACT: PHOSPHOR BRONZE.
- ③ NICKEL UNDERPLATE: 0.00127 [.000050] MIN - ALL OVER.
- ④ TIN-LEAD PLATE: 0.00254 [.000100] MIN - SOLDER POSTS.
- ⑤ GOLD PLATE: 0.00076 [.000030] MIN - CONTACT AREA.
- ⑥ NICKEL PLATE PER MIL-G-45204. GOLD PLATE PER QQ-N-290.
- ⑦ AMP PART NUMBER AND DATE CODE ARE MARKED IN APPROXIMATE AREA SHOWN, EITHER SIDE.
- 8. RECOMMENDED PCB FINISHED HOLE DIA: 1.02±0.08 [.040±.003].
- ⑨ MATTE TIN PLATE: 0.00254 [.000100] MIN - SOLDER POSTS.
- ⑩ OBSOLETE PARTS: OBSOLETE CIS STREAMLINING PER D.RENAUD/D.SINISI

THIS DRAWING IS A CONTROLLED DOCUMENT.		DIN R. SHIREY/UTA 11/4/91		TE Connectivity	
DIMENSIONS: mm [INCHES]		CHK J. DIORAZIO 8-10-92			
TOLERANCES UNLESS OTHERWISE SPECIFIED:		APVD		NAME	
0. PLC ± -		PRODUCT SPEC		CONNECTOR ASSEMBLY, STANDARD EDGE II, 3.18 [.125] CL	
1. PLC ± -		APPLICATION SPEC		SIZE CAGE CODE DRAWING NO	
2. PLC ± 0.13 [.005]		WEIGHT		A1 00779 C=531341	
3. PLC ± -		CUSTOMER DRAWING		SCALE 4:1 SHEET 1 OF 2 REV P3	
4. PLC ± -		RESTRICTED TO			
ANGLES ± -					
MATERIAL HOUSING: 1 CONTACT:					

	J	F	E	D	C	B	A	X	NO OF POSN	PART NUMBER
△9	4.75	102.74	109.35	85.72	92.08	92.08	96.14	27	28	8-531341-0
	[.187]	[4.045]	[4.305]	[3.375]	[3.625]	[3.625]	[3.785]			
△9△10	3.18	32.89	39.50	15.88	22.22	22.22	26.29	5	6	6-531341-3
	[.125]	[1.295]	[1.555]	[.625]	[.875]	[.875]	[1.035]			
OBSOLETE	-	-	-	-	-	-	-	-	44	5-531341-5
OBSOLETE	-	-	-	-	-	-	-	-	44	5-531341-4
OBSOLETE	-	-	-	-	-	-	-	-	60	5-531341-3
OBSOLETE	-	-	-	-	-	-	-	-	60	5-531341-2
OBSOLETE	-	-	-	-	-	-	-	-	60	5-531341-1
OBSOLETE	-	-	-	-	-	-	-	-	60	5-531341-0
OBSOLETE	-	-	-	-	-	-	-	-	31	4-531341-9
OBSOLETE	4.75	172.59	179.20	155.57	161.92	161.92	165.99	49	50	4-531341-8
	[.187]	[6.795]	[7.055]	[6.125]	[6.375]	[6.375]	[6.535]			
OBSOLETE	-	-	-	-	-	-	-	-	43	4-531341-7
OBSOLETE	-	-	-	-	-	-	-	-	40	4-531341-6
OBSOLETE	-	-	-	-	-	-	-	-	36	4-531341-5
OBSOLETE	-	-	-	-	-	-	-	-	35	4-531341-4
OBSOLETE	4.75	109.09	115.95	92.08	98.42	98.42	102.49	29	30	4-531341-3
	[.187]	[4.295]	[4.565]	[3.625]	[3.875]	[3.875]	[4.035]			
SUPERSEDED BY 3-531341-0	-	-	-	-	-	-	-	-	28	4-531341-2
OBSOLETE	-	-	-	-	-	-	-	-	22	4-531341-1

OBSOLETE	-	-	-	-	-	-	-	-	22	4-531341-0
OBSOLETE	-	-	-	-	-	-	-	-	15	3-531341-9
OBSOLETE	-	-	-	-	-	-	-	-	10	3-531341-8
OBSOLETE	-	-	-	-	-	-	-	-	6	3-531341-7
OBSOLETE	-	-	-	-	-	-	-	-	50	3-531341-6
OBSOLETE	-	-	-	-	-	-	-	-	43	3-531341-5
OBSOLETE	-	-	-	-	-	-	-	-	40	3-531341-4
OBSOLETE	-	-	-	-	-	-	-	-	36	3-531341-3
OBSOLETE	-	-	-	-	-	-	-	-	35	3-531341-2
OBSOLETE	-	-	-	-	-	-	-	-	30	3-531341-1
△4	4.75	102.74	109.35	85.72	92.08	92.08	96.14	27	28	3-531341-0
	[.187]	[4.045]	[4.305]	[3.375]	[3.625]	[3.625]	[3.785]			
OBSOLETE	-	-	-	-	-	-	-	-	22	2-531341-9
OBSOLETE	-	-	-	-	-	-	-	-	18	2-531341-8
OBSOLETE	-	-	-	-	-	-	-	-	15	2-531341-7
OBSOLETE	-	-	-	-	-	-	-	-	10	2-531341-6
OBSOLETE	-	-	-	-	-	-	-	-	6	2-531341-5
OBSOLETE	3.18	172.59	179.20	155.58	161.92	161.92	165.99	49	50	2-531341-4
	[.125]	[6.795]	[7.055]	[6.125]	[6.375]	[6.375]	[6.535]			
OBSOLETE	-	-	-	-	-	-	-	-	43	2-531341-3
OBSOLETE	-	-	-	-	-	-	-	-	40	2-531341-2
OBSOLETE	-	-	-	-	-	-	-	-	36	2-531341-1
OBSOLETE	-	-	-	-	-	-	-	-	35	2-531341-0
OBSOLETE	-	-	-	-	-	-	-	-	30	1-531341-9
OBSOLETE	-	-	-	-	-	-	-	-	28	1-531341-8
OBSOLETE	-	-	-	-	-	-	-	-	22	1-531341-7
OBSOLETE	-	-	-	-	-	-	-	-	18	1-531341-6
OBSOLETE	-	-	-	-	-	-	-	-	15	1-531341-5
OBSOLETE	-	-	-	-	-	-	-	-	10	1-531341-4
△10△4	3.18	32.89	39.50	15.88	22.22	22.22	26.29	5	6	1-531341-3
	[.125]	[1.295]	[1.555]	[.625]	[.875]	[.875]	[1.035]			
OBSOLETE	-	-	-	-	-	-	-	-	50	1-531341-2
OBSOLETE	-	-	-	-	-	-	-	-	43	1-531341-1
OBSOLETE	-	-	-	-	-	-	-	-	40	1-531341-0
OBSOLETE	-	-	-	-	-	-	-	-	36	531341-9
OBSOLETE	-	-	-	-	-	-	-	-	35	531341-8
OBSOLETE	3.18	109.09	115.95	92.08	98.42	98.42	102.49	29	30	531341-7
	[.125]	[4.295]	[4.565]	[3.625]	[3.875]	[3.875]	[4.035]			
OBSOLETE	-	-	-	-	-	-	-	-	28	531341-6
OBSOLETE	-	-	-	-	-	-	-	-	22	531341-5
OBSOLETE	-	-	-	-	-	-	-	-	18	531341-4
OBSOLETE	-	-	-	-	-	-	-	-	15	531341-3
OBSOLETE	-	-	-	-	-	-	-	-	10	531341-2
OBSOLETE	-	-	-	-	-	-	-	-	6	531341-1

SUPERSEDED BY 3-531341-0

THIS DRAWING IS A CONTROLLED DOCUMENT. DWG: R. SHIREY/UTA 11/4/91
 CHK: J. DIORAZIO 8-10-92
 APVD: [Signature]

TE Connectivity
 NAME: CONNECTOR ASSEMBLY, STANDARD EDGE II, 3.18 [.125] CL

PRODUCT SPEC: 108-9039
 APPLICATION SPEC: [Blank]

SIZE: A1 CAGE CODE: 00779 DRAWING NO: 531341
 WEIGHT: [Blank] RESTRICTED TO: [Blank]

MATERIAL: HOUSING: 1 FINISH: [Blank] CONTACT: [Blank]
 CUSTOMER DRAWING SCALE: 4:1 SHEET: 2 OF 2 REV: P3