



Chipsmall Limited consists of a professional team with an average of over 10 year of expertise in the distribution of electronic components. Based in Hongkong, we have already established firm and mutual-benefit business relationships with customers from,Europe,America and south Asia,supplying obsolete and hard-to-find components to meet their specific needs.

With the principle of “Quality Parts,Customers Priority,Honest Operation,and Considerate Service”,our business mainly focus on the distribution of electronic components. Line cards we deal with include Microchip,ALPS,ROHM,Xilinx,Pulse,ON,Everlight and Freescale. Main products comprise IC,Modules,Potentiometer,IC Socket,Relay,Connector.Our parts cover such applications as commercial,industrial, and automotives areas.

We are looking forward to setting up business relationship with you and hope to provide you with the best service and solution. Let us make a better world for our industry!



Contact us

Tel: +86-755-8981 8866 Fax: +86-755-8427 6832

Email & Skype: info@chipsmall.com Web: www.chipsmall.com

Address: A1208, Overseas Decoration Building, #122 Zhenhua RD., Futian, Shenzhen, China



4

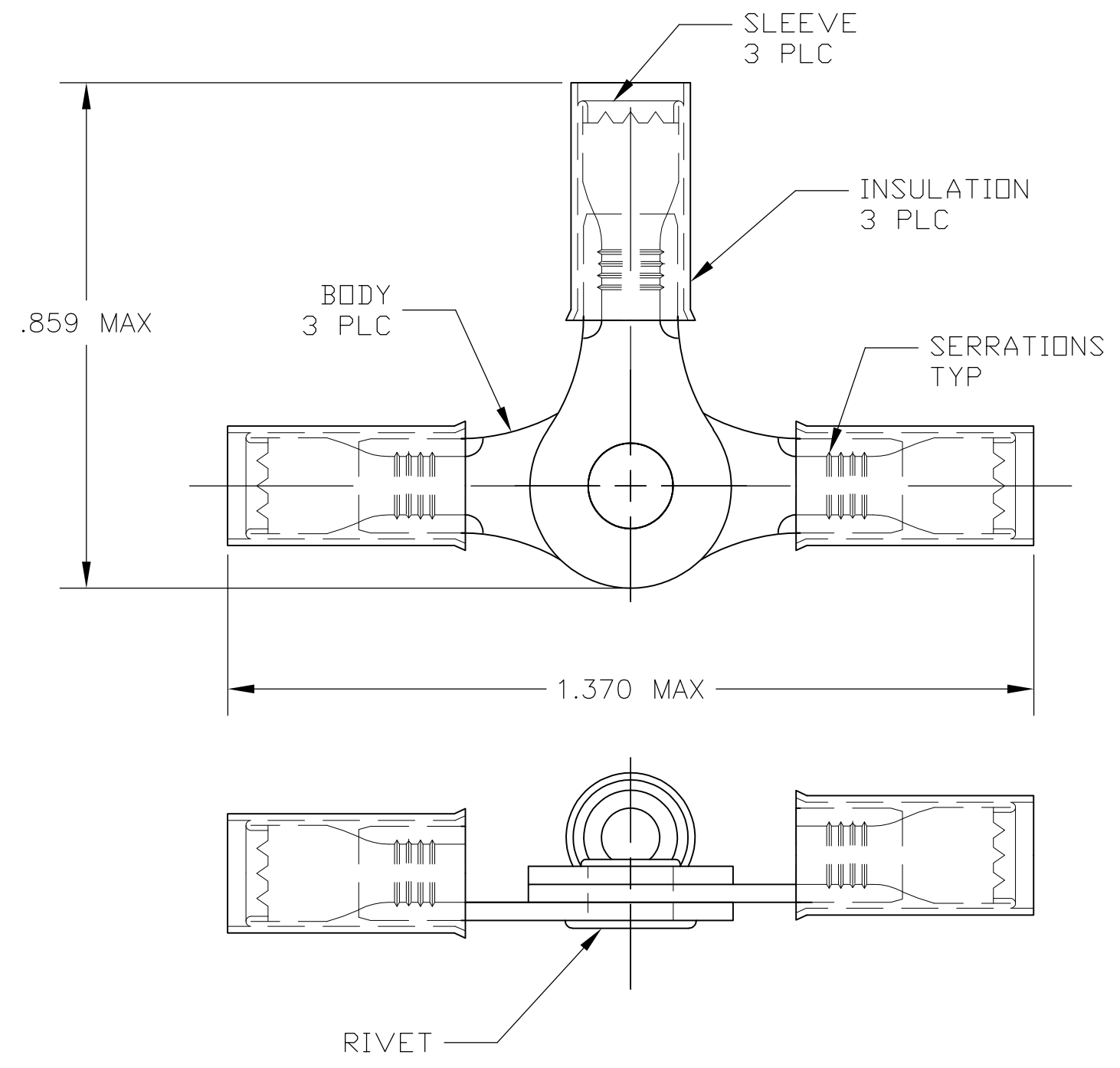
3

2

1

THIS DRAWING IS UNPUBLISHED. RELEASED FOR PUBLICATION
 © COPYRIGHT BY TYCO ELECTRONICS CORPORATION. ALL INTERNATIONAL RIGHTS RESERVED.

LOC	DIST	REVISIONS					
		P	LTR	DESCRIPTION	DATE	DWN	APVD
G	02		E	REDRAWN PER ECR 09-024066	04FEB10	JR	TM



- 1 TONGUE MATERIAL THK IS .031±.002
- 2 FOR .115-.170 WIRE INSULATION DIA
- △ 3 BODY & SLEEVE: COPPER PER ASTM B152
TIN PLATE PER ASTM B545, ANNEALED
- INSULATION: NYLON, COLOR - BLUE
- RIVET: BRASS PER ASTM B36
TIN PLATE PER ASTM B545
- △ 4 SUPERSEDED BY 53222-1

50	LOOSE PIECE, BOX SPECIAL	△ 4	8-53222-5
10	LOOSE PIECE, BAG	△ 4	8-53222-4
25	LOOSE PIECE, BOX	△ 4	8-53222-3
1000	LOOSE PIECE		53222-1
QTY	PACKAGING TYPE		PART NUMBER

THIS DRAWING IS A CONTROLLED DOCUMENT.		DWN jr_ruth 04FEB10	Tyco Electronics Corporation Harrisburg, PA 17105-3608												
DIMENSIONS: INCHES		CHK TOM MICHIELUTTI 04FEB10	NAME TERMINAL, PIDG, NYLON, RING TONGUE, 3 WAY CONNECTOR												
TOLERANCES UNLESS OTHERWISE SPECIFIED:		APVD TOM MICHIELUTTI 04FEB10	PRODUCT SPEC -												
<table border="0"> <tr><td>0 PLC</td><td>± -</td></tr> <tr><td>1 PLC</td><td>± -</td></tr> <tr><td>2 PLC</td><td>± -</td></tr> <tr><td>3 PLC</td><td>± .008</td></tr> <tr><td>4 PLC</td><td>± -</td></tr> <tr><td>ANGLES</td><td>± 5°</td></tr> </table>		0 PLC	± -	1 PLC	± -	2 PLC	± -	3 PLC	± .008	4 PLC	± -	ANGLES	± 5°	APPLICATION SPEC -	
0 PLC	± -														
1 PLC	± -														
2 PLC	± -														
3 PLC	± .008														
4 PLC	± -														
ANGLES	± 5°														
MATERIAL - 3	FINISH - 3	WEIGHT -	SIZE A3	CAGE CODE 00779											
CUSTOMER DRAWING			DRAWING NO C-53222	RESTRICTED TO -											
			SCALE 8:1	SHEET 1 OF 1											
			REV E												