



Chipsmall Limited consists of a professional team with an average of over 10 year of expertise in the distribution of electronic components. Based in Hongkong, we have already established firm and mutual-benefit business relationships with customers from,Europe,America and south Asia,supplying obsolete and hard-to-find components to meet their specific needs.

With the principle of “Quality Parts,Customers Priority,Honest Operation,and Considerate Service”,our business mainly focus on the distribution of electronic components. Line cards we deal with include Microchip,ALPS,ROHM,Xilinx,Pulse,ON,Everlight and Freescale. Main products comprise IC,Modules,Potentiometer,IC Socket,Relay,Connector.Our parts cover such applications as commercial,industrial, and automotives areas.

We are looking forward to setting up business relationship with you and hope to provide you with the best service and solution. Let us make a better world for our industry!



Contact us

Tel: +86-755-8981 8866 Fax: +86-755-8427 6832

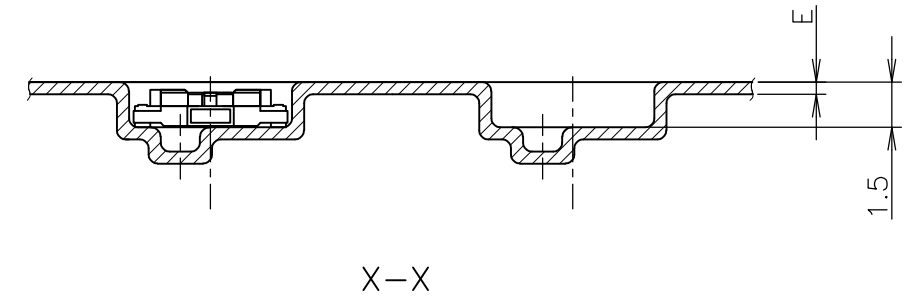
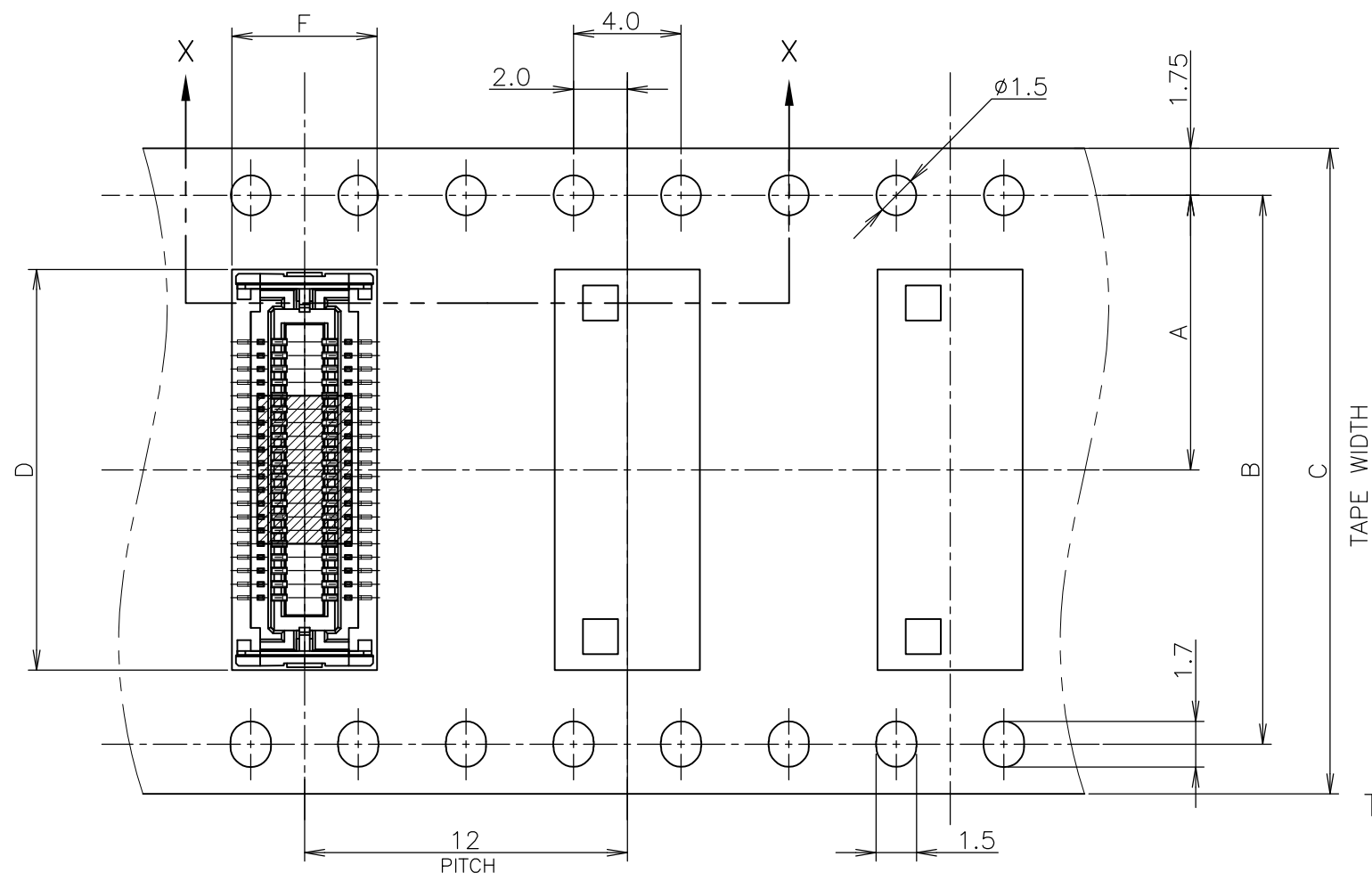
Email & Skype: info@chipsmall.com Web: www.chipsmall.com

Address: A1208, Overseas Decoration Building, #122 Zhenhua RD., Futian, Shenzhen, China



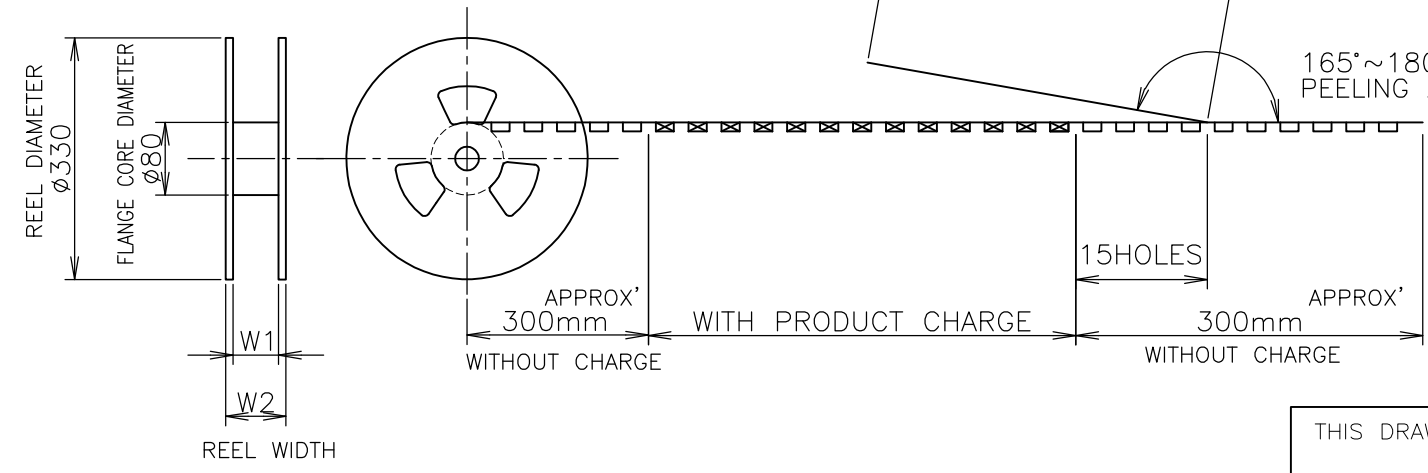
THIS DRAWING IS UNPUBLISHED. RELEASED FOR PUBLICATION JUN, 1996.
 © COPYRIGHT 1996 BY TYCO ELECTRONICS CORPORATION. ALL RIGHTS RESERVED.

LOC	DIST	REVISIONS					
J		P	LTR	DESCRIPTION	DATE	DWN	APVD
		C		REVISED ECR-08-015052	13JUN08	T.T	T.F



TOP OF REEL →

WEEDING THE COVER TAPE AROUND THE OUTER PERIPHERY IN A TURN.
 165°~180° PEELING ANGLE.



48.7	45.5	5.4	0.4	24.9	44	40.4	20.2	1500	80	8-5353159-5
48.7	45.5	5.4	0.4	24.9	44	40.4	20.2	1500	80	8-5353159-0
48.7	45.5	5.4	0.4	22.4	44	40.4	20.2	1500	70	7-5353159-5
48.7	45.5	5.4	0.4	22.4	44	40.4	20.2	1500	70	7-5353159-0
37.5	33.5	5.34	0.4	19.85	32	28.4	14.2	1500	60	6-5353159-5
37.5	33.5	5.34	0.4	19.85	32	28.4	14.2	1500	60	6-5353159-0
29.5	25.5	5.34	0.4	17.35	24	—	11.5	1500	50	5-5353159-5
W2	W1	F	E	D	C	B	A	QTY/REEL	POS	TAPING P/N

INSTRUCTION SHEET
411-5781

THIS DRAWING IS A CONTROLLED DOCUMENT.

DWN J.ZHU 02NOV04
 CHK S.YAO 02NOV04
 APVD I.ENOMOTO 02NOV04

Tyco Electronics Tyco Electronics Corporation
Kawasaki, Japan

NAME 名称
ON TAPING EMBOSS
0.5mm PITCH FS CONN.
RECEPTACLE ASSEMBLY WITH FILM

DIMENSIONS: 单位: 耗 mm
 TOLERANCES UNLESS OTHERWISE SPECIFIED: 一般公差
 0 PLC ± 0.2
 1 PLC ± 0.2
 2 PLC ± 0.2
 3 PLC ± 0.2
 4 PLC ± 0.2
 ANGLES ± 3'

PRODUCT SPEC 製品規格
108-60048

APPLICATION SPEC 取付適用規格

WEIGHT

MATERIAL 材料
FINISH 仕上

SIZE A3 CAGE CODE 00779 DRAWING NO 番号 G-5353159 RESTRICTED TO

CUSTOMER DRAWING SCALE 尺度 4:1 SHEET 1 OF 2 REV C

4

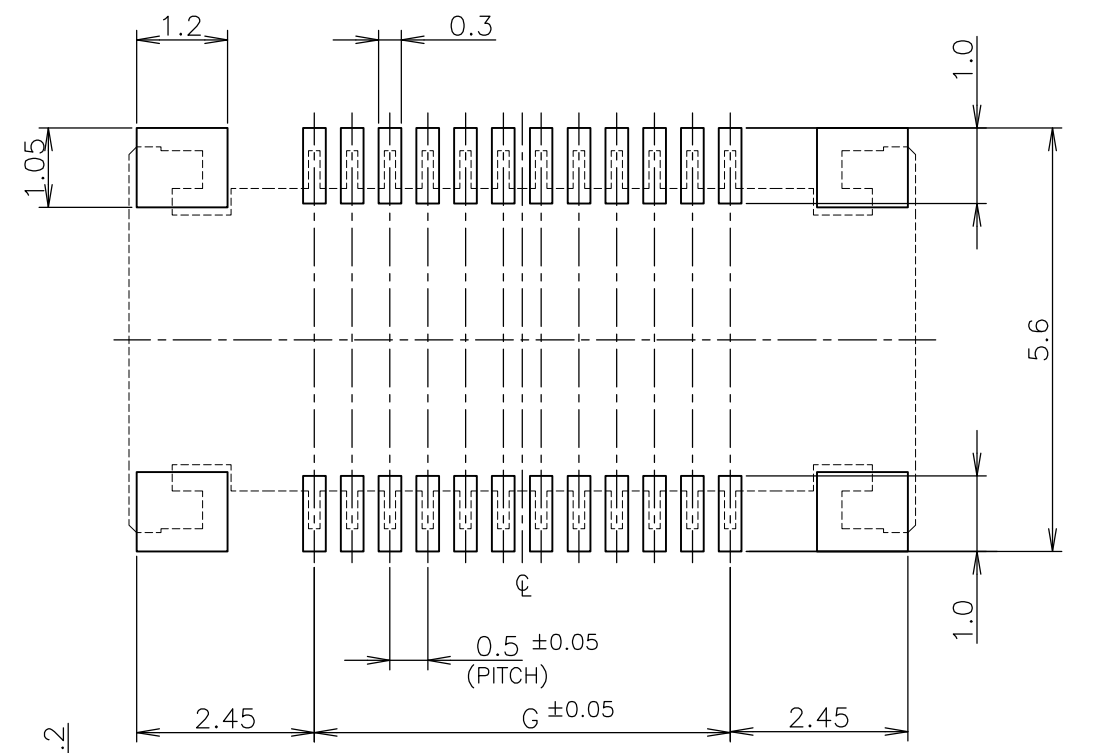
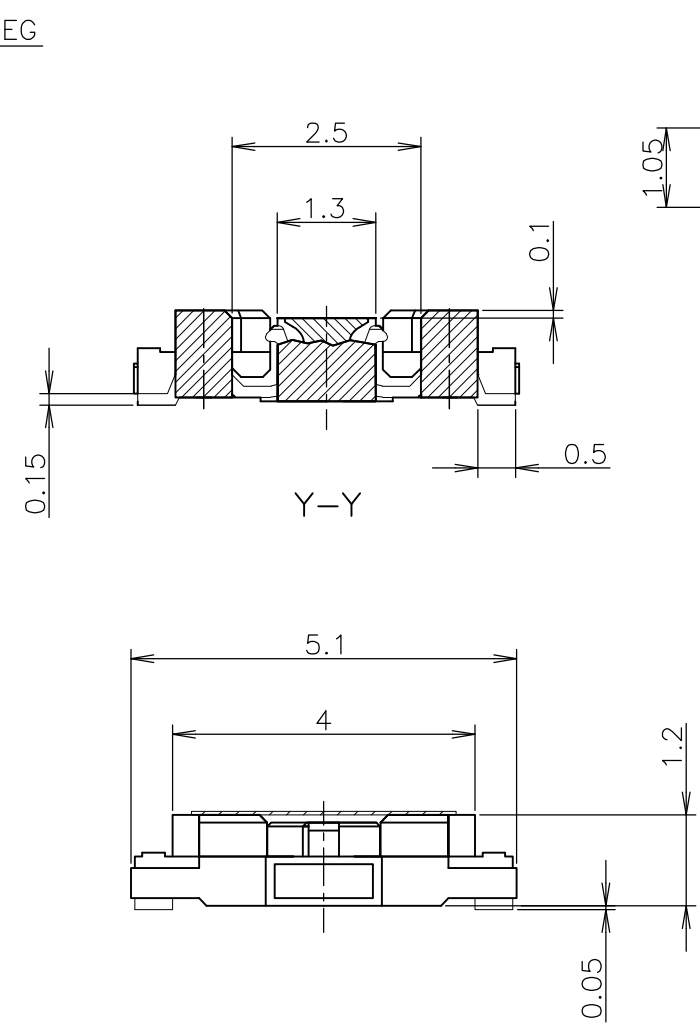
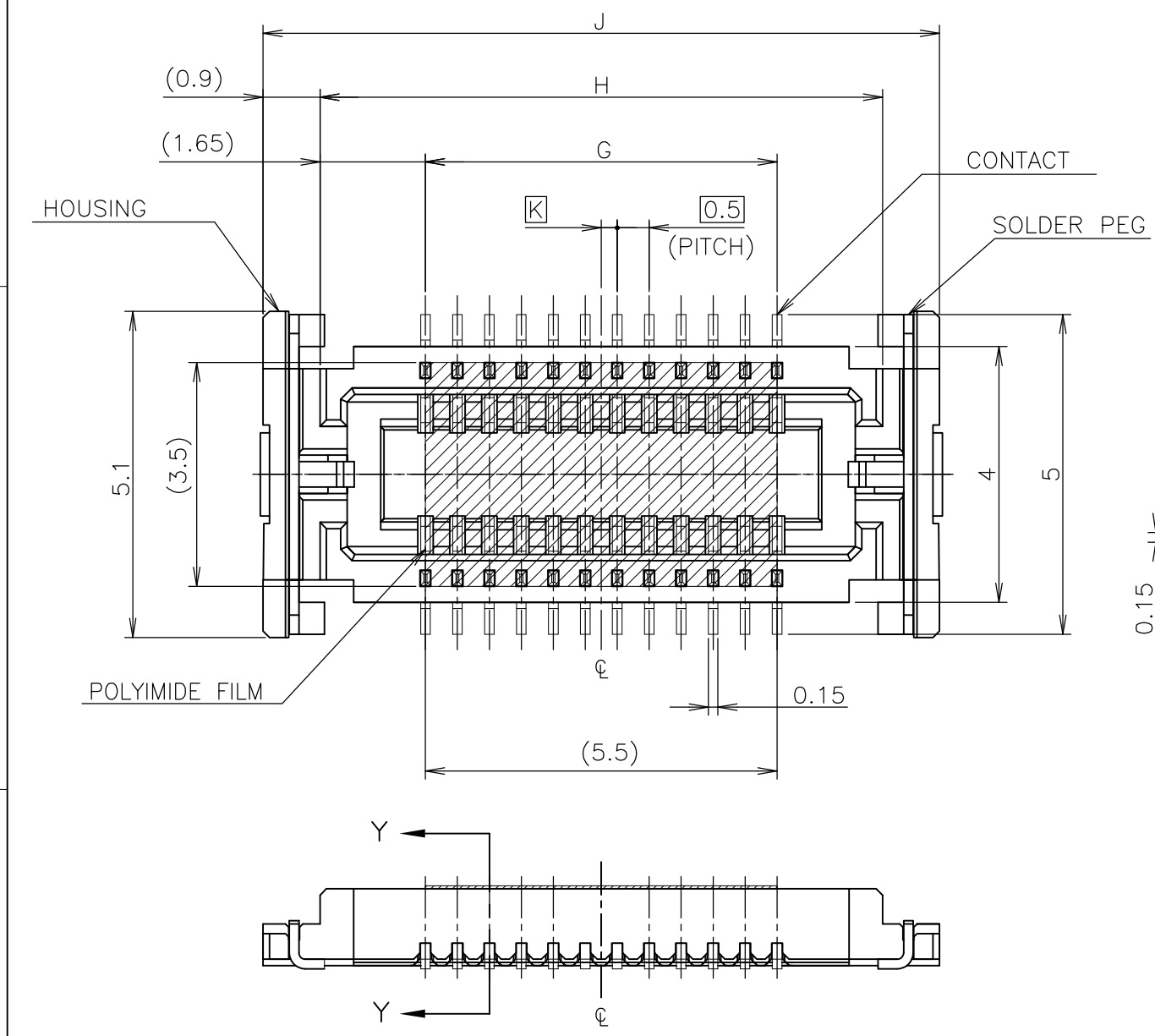
3

2

1

THIS DRAWING IS UNPUBLISHED. RELEASED FOR PUBLICATION JUN , 1996.
 © COPYRIGHT 1996 BY TYCO ELECTRONICS CORPORATION. ALL RIGHTS RESERVED.

LOC	DIST	REVISIONS			DATE	DWN	APVD
J		P	LTR	DESCRIPTION			
				SEE SHEET 1	-	-	-



(T=0.6 MIN.)
P.C. BOARD LAYOUT (REF.)

3	0.25	24.6	22.8	19.5	80	8-5353159-5
	0.25	24.6	22.8	19.5	80	8-5353159-0
3	---	22.1	20.3	17	70	7-5353159-5
	---	22.1	20.3	17	70	7-5353159-0
3	0.25	19.6	17.8	14.5	60	6-5353159-5
	0.25	19.6	17.8	14.5	60	6-5353159-0
	---	17.1	15.3	12.0	50	5-5353159-5

- 1 MATING COUNTER PART NUMBER: 5353163
- △ MATERIAL
HOUSING: HIGH HEAT-RESISTED
CONTACT: COPPER ALLOY (t=0.15), Au-PLT
SOLDER PEG: COPPER ALLOY (t=0.15), TIN-PLT
- △ CONTACT : CONTACT POINT Au PLT. 0.00076 MIN.

THIS DRAWING IS A CONTROLLED DOCUMENT.	
DIMENSIONS: 単位: 耗 mm	TOLERANCES UNLESS OTHERWISE SPECIFIED: 一般公差
	0 PLC ± 0.2
	1 PLC ± 0.2
	2 PLC ± 0.2
	3 PLC ± 0.2
	4 PLC ± 0.2
	ANGLES ± 3'
MATERIAL 材料	FINISH 仕上

INSTRUCTION SHEET 411-5781		DWN		Tyco Electronics Corporation Kawasaki, Japan	
CHK		APVD		NAME 名称	
PRODUCT SPEC 製品規格		APPLICATION SPEC 取付適用規格		ON TAPING EMBOSS 0.5mm PITCH FS CONN. RECEPTACLE ASSEMBLY WITH FILM	
SIZE	CAGE CODE	DRAWING NO 番号	RESTRICTED TO		
A3	00779	G-5353159			
CUSTOMER DRAWING		SCALE 尺度 10:1	SHEET 2 OF 2	REV C	