



Chipsmall Limited consists of a professional team with an average of over 10 year of expertise in the distribution of electronic components. Based in Hongkong, we have already established firm and mutual-benefit business relationships with customers from,Europe,America and south Asia,supplying obsolete and hard-to-find components to meet their specific needs.

With the principle of “Quality Parts,Customers Priority,Honest Operation,and Considerate Service”,our business mainly focus on the distribution of electronic components. Line cards we deal with include Microchip,ALPS,ROHM,Xilinx,Pulse,ON,Everlight and Freescale. Main products comprise IC,Modules,Potentiometer,IC Socket,Relay,Connector.Our parts cover such applications as commercial,industrial, and automotives areas.

We are looking forward to setting up business relationship with you and hope to provide you with the best service and solution. Let us make a better world for our industry!



Contact us

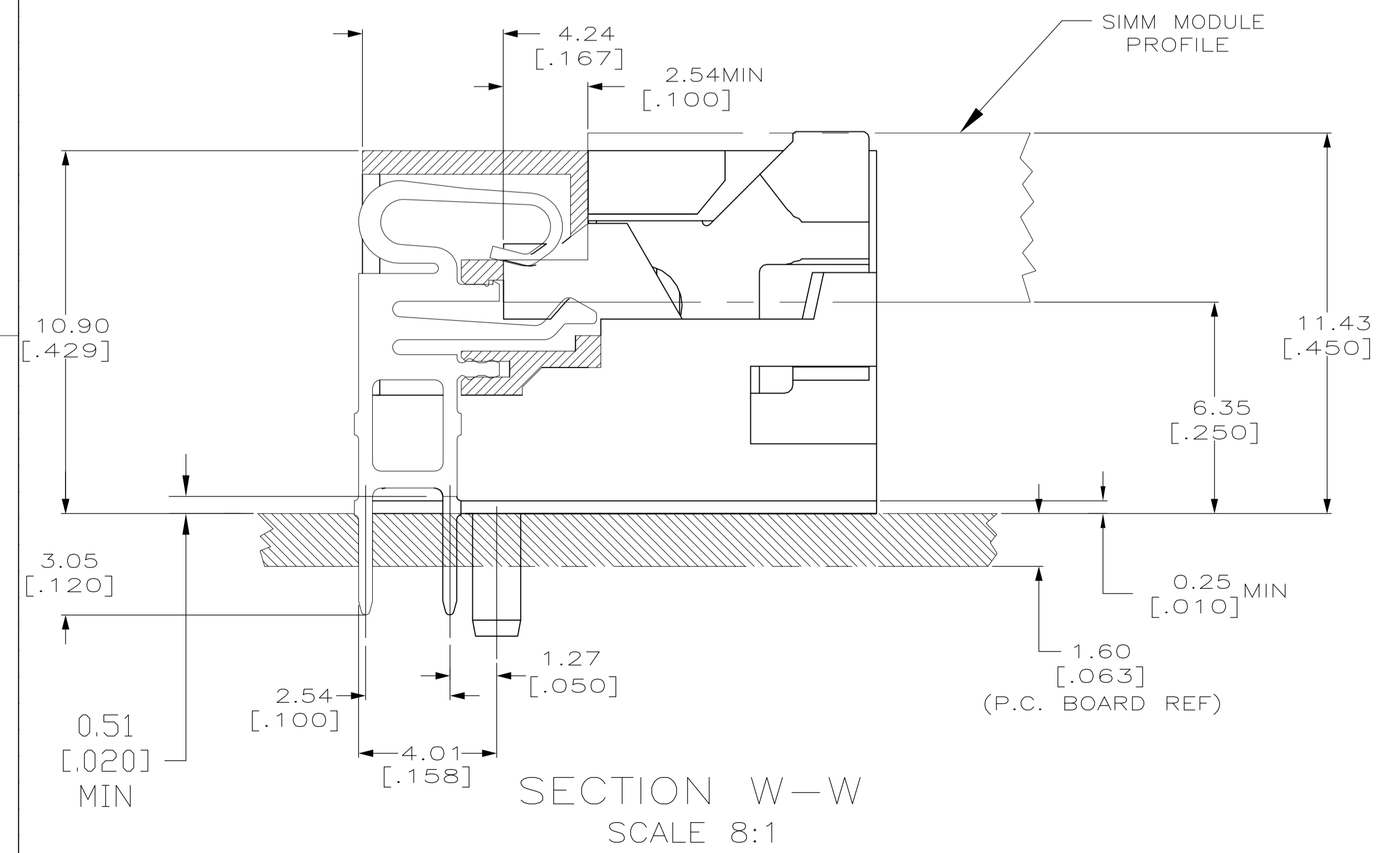
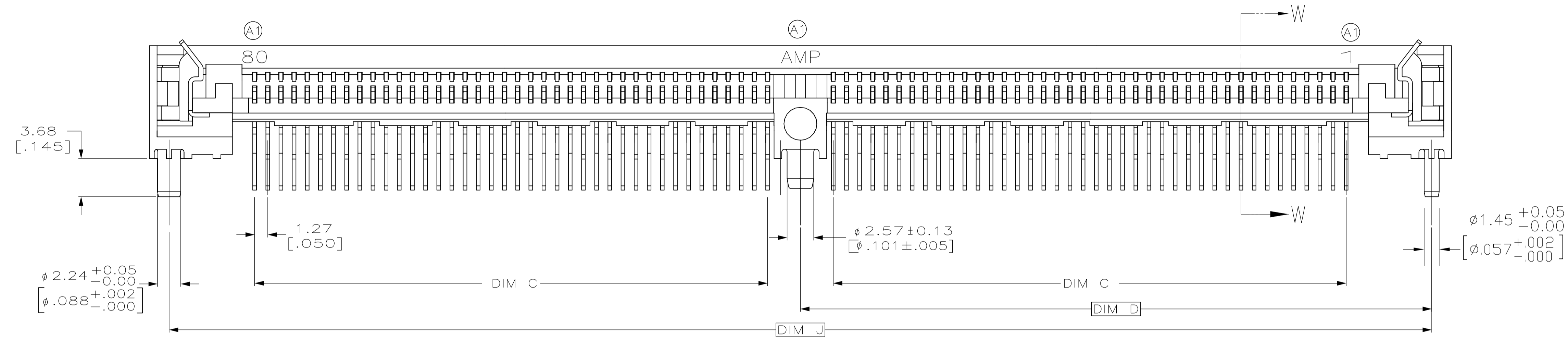
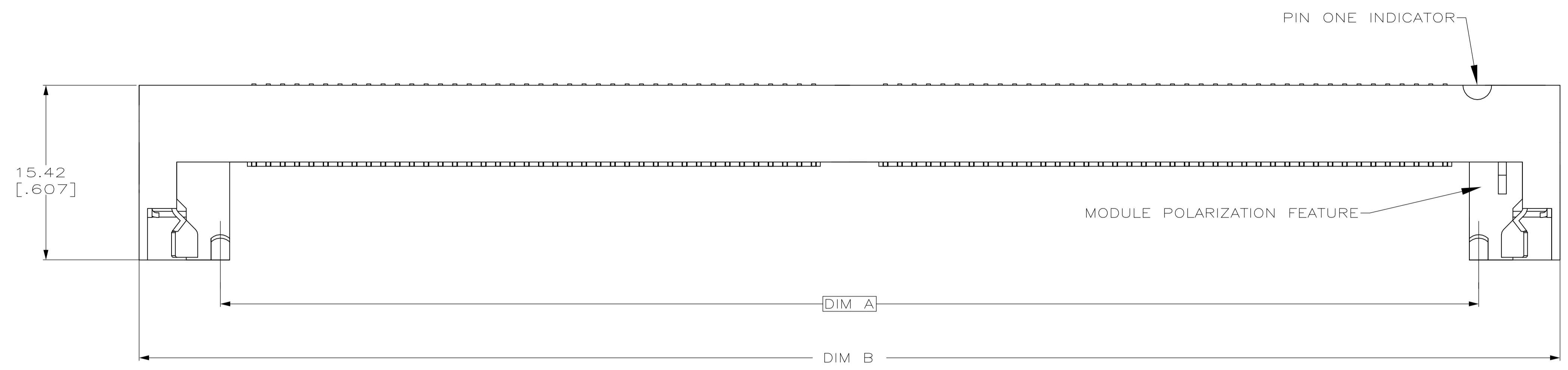
Tel: +86-755-8981 8866 Fax: +86-755-8427 6832

Email & Skype: info@chipsmall.com Web: www.chipsmall.com

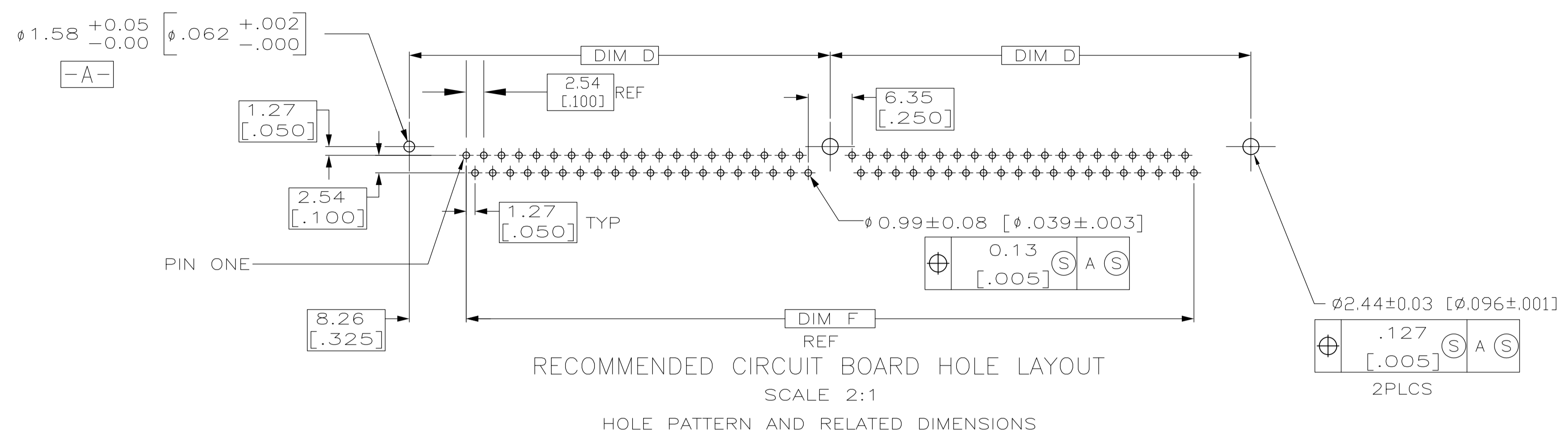
Address: A1208, Overseas Decoration Building, #122 Zhenhua RD., Futian, Shenzhen, China



LOC		DIST		REVISIONS			
P	LTR	DESCRIPTION	DATE	DMN	APVD		
GP	00						
P		REVISED PER ECO-11-005033	29MAR11	RK	HMR		

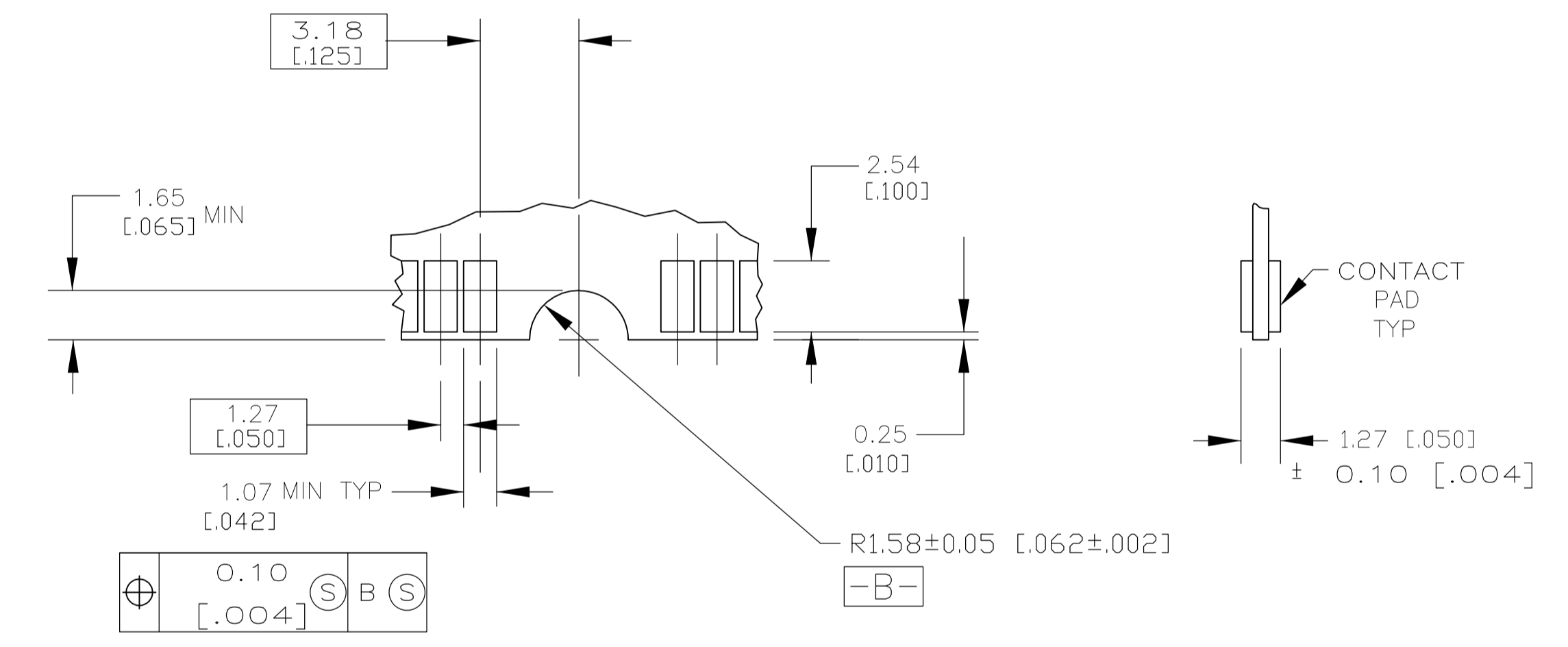
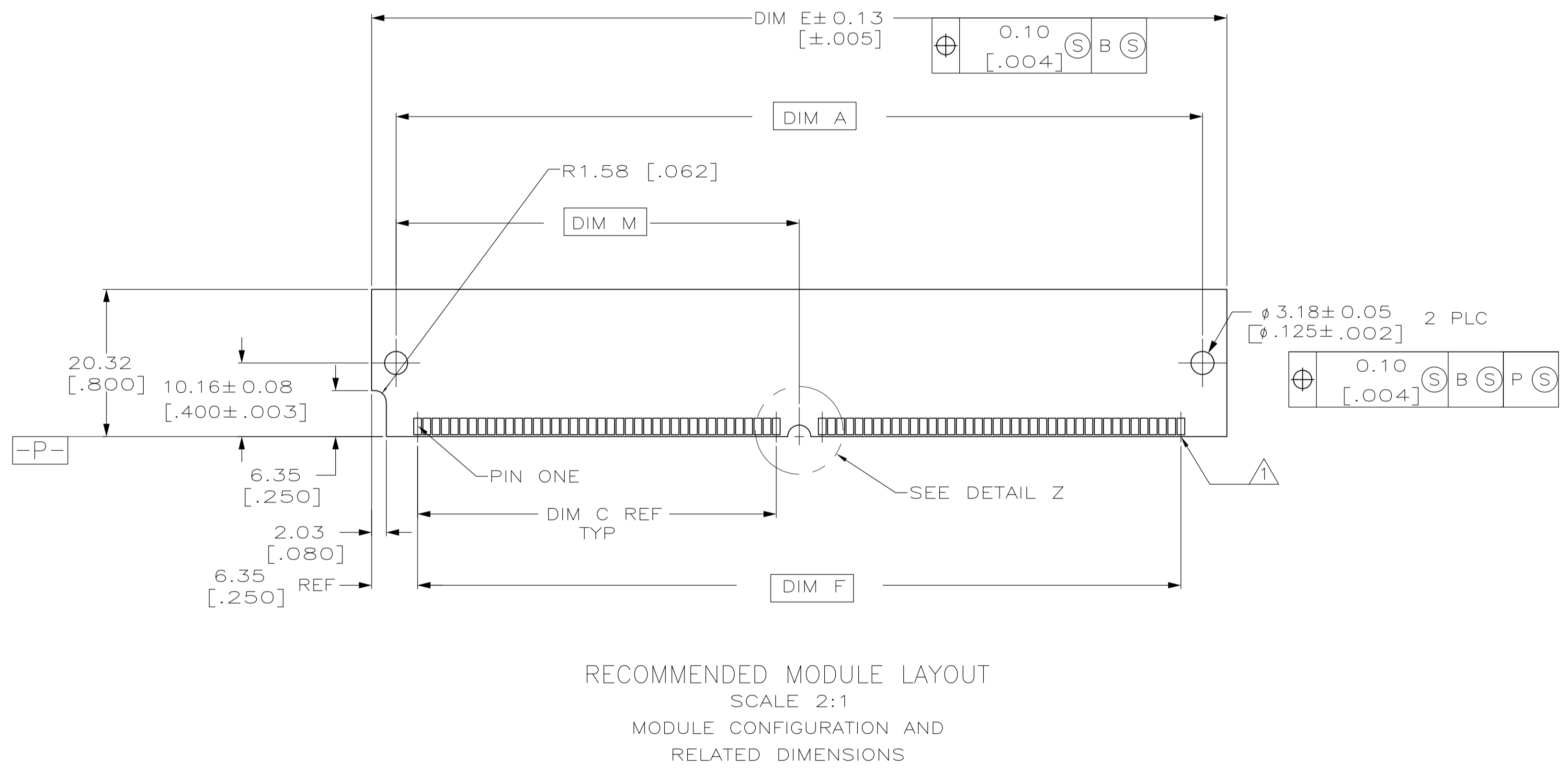


THIS DRAWING IS A CONTROLLED DOCUMENT.		DIN	WENKE HE	29MAR05	 TE Connectivity
DIMENSIONS: INCHES		CHK	STEVEN YAO	29MAR05	
TOLERANCES UNLESS OTHERWISE SPECIFIED:		APVD	IENOMOTO	29MAR05	NAME
0. PLC	± -	PRODUCT SPEC		SIMM II RTANG 1.27[.050]	
1. PLC	± -	APPLICATION SPEC		1.27 [.500] CL ASSY.,	
2. PLC	± -	MATERIAL		6.350 [.250] HEIGHT	
3. PLC	± .127(.005)	SIZE	CAGE CODE	DRAWING NO	RESTRICTED TO
4. PLC	± -	WEIGHT		A1 00779	5382486
ANGLES	± -	CUSTOMER DRAWING		SCALE	4:1
		SHEET		1	2
		REV			P



1 FOR OPTIMUM PERFORMANCE, CONTACT PAD PLATING SHOULD BE SMOOTH AND FLAT. COPPER CONTACT PADS ARE TO BE OVERPLATED WITH .00127 [.00050] MIN THK NICKEL FOLLOWED WITH 0.00254 [.000100] MIN THK TIN PLATING.

2 0.00381 [.000150] MIN. THK TIN OVER 0.00127 [.000050] MIN. THK NICKEL OVER ENTIRE CONTACT.



55.68 [2.192]	121.92 [4.800]	105.41 [4.150]	118.11 [4.650]	60.96 [2.400]	49.53 [1.950]	125.73 [4.950]	111.35 [4.384]	80	8-5382486-0
50.60 [1.992]	111.76 [4.400]	95.25 [3.750]	107.95 [4.250]	55.88 [2.200]	44.45 [1.750]	115.57 [4.550]	101.19 [3.984]	72	7-5382486-2
DIM M	DIM J	DIM F	DIM E	DIM D	DIM C	DIM B	DIM A	POSN	PART NO.

THIS DRAWING IS A CONTROLLED DOCUMENT.

DIMENSIONS: INCHES	TOLERANCES UNLESS OTHERWISE SPECIFIED:	DIN WENKE HE 29MAR05	STE
0 PLC ± -	1 PLC ± -	CHK STEVEN YAO 29MAR05	TE Connectivity
2 PLC ± -	3 PLC ± 0.13 [.005]	APPD IENOMOTO 29MAR05	NAME SIMM II, RTANG,
4 PLC ± -	ANGLES ± ± -	PRODUCT SPEC	1.27 [.050] CL ASSY.,
MATERIAL	FINISH	APPLICATION SPEC	6.35 [.250] HGT
		WEIGHT	SIZE CAGE CODE DRAWING NO
			A1 00779 C=5382486
		CUSTOMER DRAWING	SCALE 4:1 SHEET 2 OF 2 REV P