



Chipsmall Limited consists of a professional team with an average of over 10 year of expertise in the distribution of electronic components. Based in Hongkong, we have already established firm and mutual-benefit business relationships with customers from,Europe,America and south Asia,supplying obsolete and hard-to-find components to meet their specific needs.

With the principle of “Quality Parts,Customers Priority,Honest Operation,and Considerate Service”,our business mainly focus on the distribution of electronic components. Line cards we deal with include Microchip,ALPS,ROHM,Xilinx,Pulse,ON,Everlight and Freescale. Main products comprise IC,Modules,Potentiometer,IC Socket,Relay,Connector.Our parts cover such applications as commercial,industrial, and automotives areas.

We are looking forward to setting up business relationship with you and hope to provide you with the best service and solution. Let us make a better world for our industry!



## Contact us

Tel: +86-755-8981 8866 Fax: +86-755-8427 6832

Email & Skype: info@chipsmall.com Web: www.chipsmall.com

Address: A1208, Overseas Decoration Building, #122 Zhenhua RD., Futian, Shenzhen, China

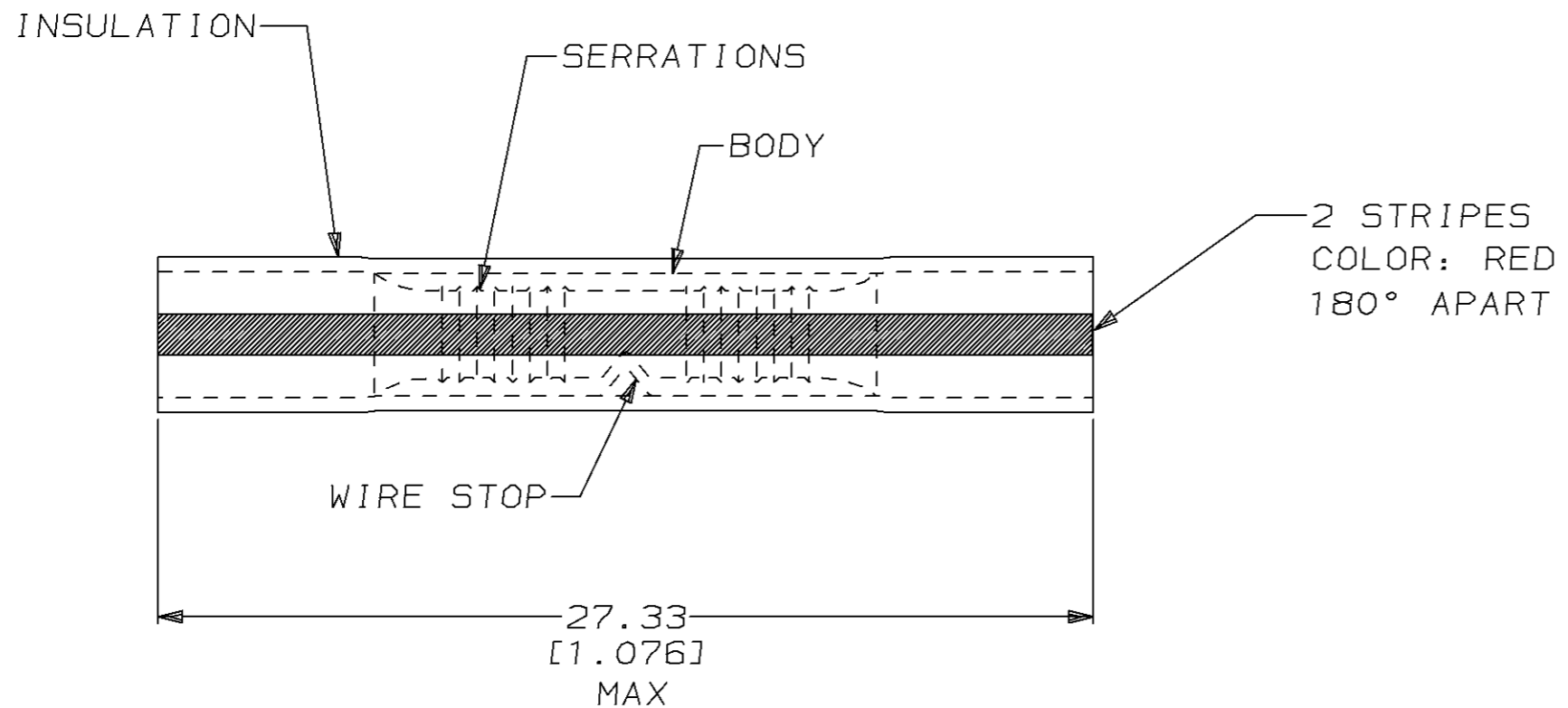


THIS DRAWING IS UNPUBLISHED. RELEASED FOR PUBLICATION, 19 .  
 © COPYRIGHT 19 BY AMP INCORPORATED. ALL INTERNATIONAL RIGHTS RESERVED.

LOC	DIST	P	F	ZONE	LTR	DESCRIPTION	DATE	APPD
G	14				E	REV/ 0720-0612-95	31MAY95	ME SB

PART NO	PACKAGE TYPE	QTY
8-55792-1	LOOSE PIECE, BOX	100
8-55792-4	LOOSE PIECE, BLS	5
8-55792-5	LOOSE PIECE, BAG	25
9-55792-4	LOOSE PIECE, BLS	25

1. WIRE INSUL DIA, 2.67-3.56 [.105-.140]



2500	ON TAPE, REEL	BODY: COPPER PER ASTM B-152 TIN PL 0.00254 [.000100] MIN THK PER MIL-T-10727	55792-2
1000	LOOSE PIECE	INSULATION: VINYL COLOR: TRANSPARENT	55792-1
QTY	PACKAGE TYPE	MATERIAL & FINISH	PART NO
DO NOT SCALE PRINT. UNLESS SPECIFIED DIMENSIONS IN mm [INCHES] TOLERANCES ON: 2 PLC DEC ± - 3 PLC DEC ± - ANGLES ± -		DR 9/14/90 DK SCHRUM CHK 9/14/90 MS FEHER APPD 9/14/90 PJ RUELIUS APPD 9/19/90 TL SHUTTER PRODUCT SPEC UL 486A	<b>AMP</b> AMP Incorporated Harrisburg, PA 17105-3608 NAME SPLICE, BUTT, PLASTI-GRIP™ WIRE SIZE, 22-16 AWG
MATERIAL SEE TABLE		APPLICATION SPEC -	
FINISH SEE TABLE		WEIGHT -	SIZE <b>B</b> CAGE CODE 00779 DRAWING NO <b>C-55792</b> SCALE 5:1 SHEET 1 OF 1

THIS DRAWING IS A CONTROLLED DOCUMENT FOR AMP INCORPORATED. IT IS SUBJECT TO CHANGE AND THE CONTROLLING ENGINEERING ORGANIZATION SHOULD BE CONTACTED FOR THE LATEST REVISION.