



Chipsmall Limited consists of a professional team with an average of over 10 year of expertise in the distribution of electronic components. Based in Hongkong, we have already established firm and mutual-benefit business relationships with customers from,Europe,America and south Asia,supplying obsolete and hard-to-find components to meet their specific needs.

With the principle of “Quality Parts,Customers Priority,Honest Operation,and Considerate Service”,our business mainly focus on the distribution of electronic components. Line cards we deal with include Microchip,ALPS,ROHM,Xilinx,Pulse,ON,Everlight and Freescale. Main products comprise IC,Modules,Potentiometer,IC Socket,Relay,Connector.Our parts cover such applications as commercial,industrial, and automotives areas.

We are looking forward to setting up business relationship with you and hope to provide you with the best service and solution. Let us make a better world for our industry!



## Contact us

Tel: +86-755-8981 8866 Fax: +86-755-8427 6832

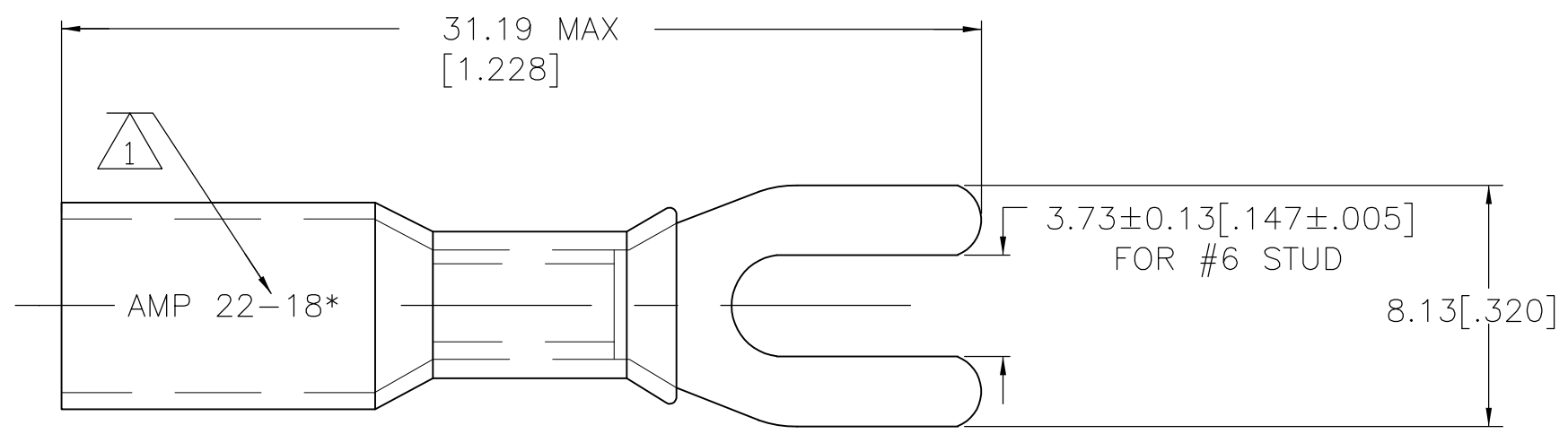
Email & Skype: info@chipsmall.com Web: www.chipsmall.com

Address: A1208, Overseas Decoration Building, #122 Zhenhua RD., Futian, Shenzhen, China

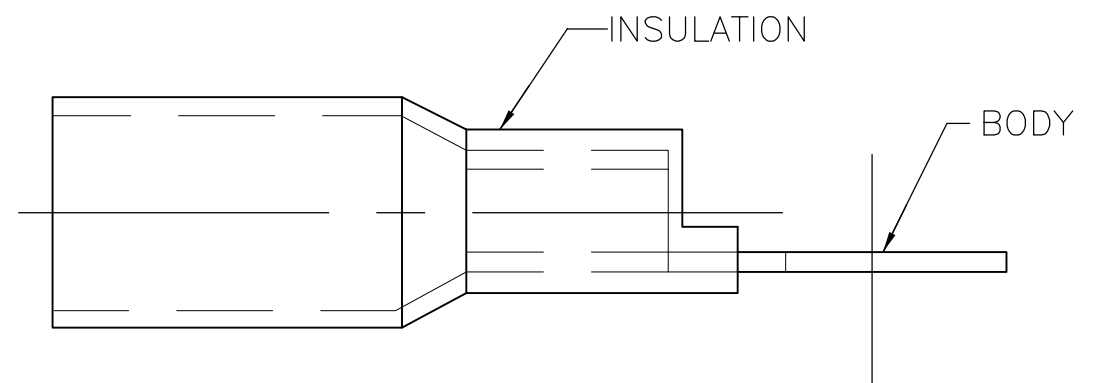


THIS DRAWING IS UNPUBLISHED. RELEASED FOR PUBLICATION  
 © COPYRIGHT BY TYCO ELECTRONICS CORPORATION. ALL INTERNATIONAL RIGHTS RESERVED.

LOC	DIST	REVISIONS					
G	14	P	LTR	DESCRIPTION	DATE	DWN	APVD
		D		REVISED PER ECR-09-027352	18FEB10	JR	TM



- 1 STAMP AMP 22-18\* APPROX AS SHOWN
- 2 WIRE INSULATION DIA 4.32[.170] MAX
- 3 TONGUE MATERIAL THK 0.76±0.05 [.030±.002]
- 4 SUPERSEDED BY 8-55866-2



<b>AMP</b> WIRE RANGE
22-18 AWG STRANDED

50	LOOSE PIECE	8-55866-2
1000	LOOSE PIECE	4 55866-1
QTY	PACKAGE TYPE	PART NO

<b>AMP INCORPORATED CUSTOMER SERVICE SYSTEMS</b>		<b>MAX RECOMMENDED OPERATING TEMPERATURE:</b> 125° C MAX	THIS DRAWING IS A CONTROLLED DOCUMENT.		DWN S S GOULDEN 6/93	<b>Tyco Electronics</b> Tyco Electronics Corporation Harrisburg, PA 17105-3608					
FOR ADDITIONAL PRODUCT INFORMATION OR COPIES OF DRAWINGS AND TECHNICAL DOCUMENTS	PRODUCT INFORMATION CENTER 1-800-522-6752	<b>VOLTAGE RATING:</b> 600 MAX	<b>DIMENSIONS:</b> mm [INCHES]	<b>TOLERANCES UNLESS OTHERWISE SPECIFIED:</b>	CHK R HERSEY 6/93	NAME TERMINAL, SPADE TONGUE, SEALABLE HEAT SHRINKABLE					
FOR APPLICATION TOOLING INFORMATION	TOOLING ASSISTANCE CENTER 1-800-722-1111	<b>CIRCULAR MIL AREA:</b> 0.26-0.96mm <sup>2</sup> [509-1900] STRANDED		0 PLC ± - 1 PLC ± - 2 PLC ± 0.20[.008] 3 PLC ± - 4 PLC ± - ANGLES ± -	APVD B BARE 6/93						
FOR ORDER ENTRY	1-800-526-5142	THIS DRAWING IS A CONTROLLED DOCUMENT FOR AMP INCORPORATED. IT IS SUBJECT TO CHANGE AND THE CONTROLLING ENGINEERING ORGANIZATION SHOULD BE CONTACTED FOR THE LATEST REVISION.		<b>MATERIAL</b> BODY: ETP COPPER INSULATION: POLYOLEFIN COLOR: RED	FINISH EDP TIN PLATED	PRODUCT SPEC -	APPLICATION SPEC 408-4022	SIZE A3	CAGE CODE 00779	DRAWING NO G-55866	RESTRICTED TO -
CUSTOMER DRAWING						WEIGHT -	SCALE NTS	SHEET 1 OF 1	REV D		