



Chipsmall Limited consists of a professional team with an average of over 10 year of expertise in the distribution of electronic components. Based in Hongkong, we have already established firm and mutual-benefit business relationships with customers from,Europe,America and south Asia,supplying obsolete and hard-to-find components to meet their specific needs.

With the principle of "Quality Parts,Customers Priority,Honest Operation,and Considerate Service",our business mainly focus on the distribution of electronic components. Line cards we deal with include Microchip,ALPS,ROHM,Xilinx,Pulse,ON,Everlight and Freescale. Main products comprise IC,Modules,Potentiometer,IC Socket,Relay,Connector.Our parts cover such applications as commercial,industrial, and automotives areas.

We are looking forward to setting up business relationship with you and hope to provide you with the best service and solution. Let us make a better world for our industry!



Contact us

Tel: +86-755-8981 8866 Fax: +86-755-8427 6832

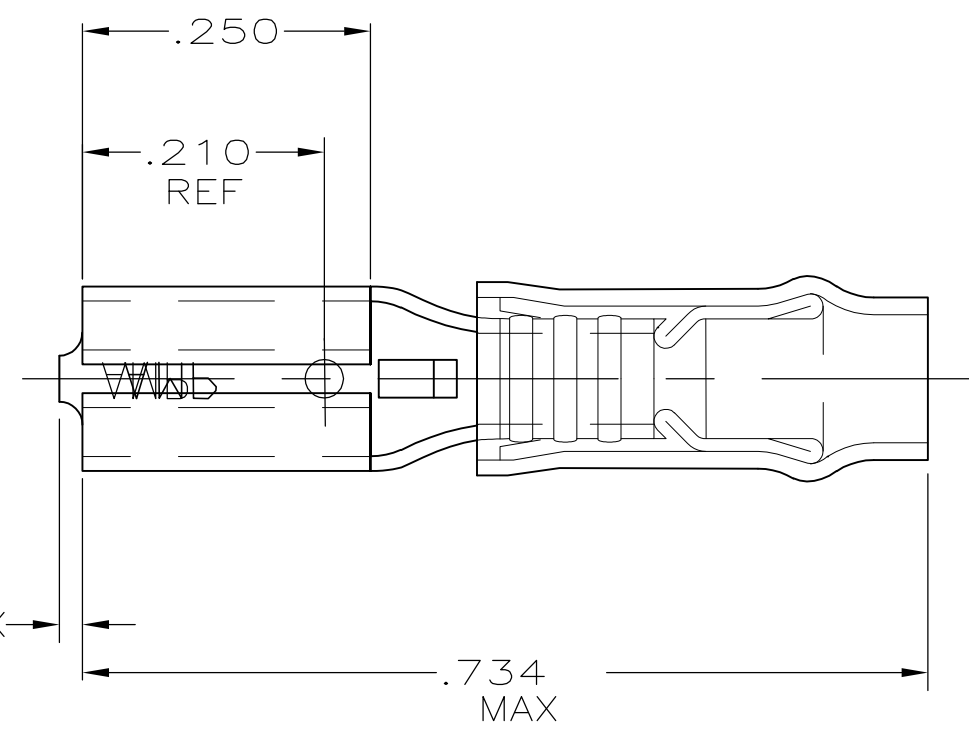
Email & Skype: info@chipsmall.com Web: www.chipsmall.com

Address: A1208, Overseas Decoration Building, #122 Zhenhua RD., Futian, Shenzhen, China



THIS DRAWING IS UNPUBLISHED. RELEASED FOR PUBLICATION
 © COPYRIGHT - By - ALL RIGHTS RESERVED.

LOC	DIST	REVISIONS					
		P	LTR	DESCRIPTION	DATE	DWN	APVD
G	14		F1	REVISED PER ECO-11-004917	11MAR11	RK	HMR



- 1. INSULATION DIA .100 MAX
- 2. TAB THK .033 MAX

5	LOOSE PC,BLS	8-60894-4
100	LOOSE PC,BOX	8-60894-1
-	TAPE MOUNTED	60894-2
-	LOOSE PIECE	60894-1
QTY	PACKAGE TYPE	PART NO

**AMP INCORPORATED
CUSTOMER SERVICE SYSTEM**

FOR ADDITIONAL PRODUCT INFORMATION OR COPIES OF DRAWINGS AND TECHNICAL DOCUMENTS
 PRODUCT INFORMATION CENTER
 1-800-522-6752

FOR APPLICATION TOOLING INFORMATION
 TOOLING ASSISTANCE CENTER
 1-800-722-1111

FOR ORDER ENTRY
 1-800-526-5142

MAX RECOMMENDED OPERATING TEMPERATURE:
-

VOLTAGE RATING:
-

CIRCULAR MIL AREA:
-

THIS DRAWING IS A CONTROLLED DOCUMENT.

DIMENSIONS: INCHES

TOLERANCES UNLESS OTHERWISE SPECIFIED:
 0 PLC ± -
 1 PLC ± -
 2 PLC ± .015
 3 PLC ± -
 4 PLC ± -
 ANGLES ± -

MATERIAL: BODY,BRASS .012 SLV,NYLON,COLOR,CLEAR

FINISH: BODY,PRE-TIN

DWN L OLMEDA 13NOV95
 CHK M ELLIS 13NOV95
 APVD B BARE 13NOV95
 PRODUCT SPEC
 APPLICATION SPEC
 WEIGHT -

STE TE Connectivity

RECEPTACLE, 110 SERIES,
 FASTON™, PIDG™,
 WIRE SIZE, 22-18 AWG

SIZE: A3 CAGE CODE: 00779 DRAWING NO: C-60894 RESTRICTED TO: -

CUSTOMER DRAWING SCALE: NTS SHEET: 1 OF 1 REV: F1